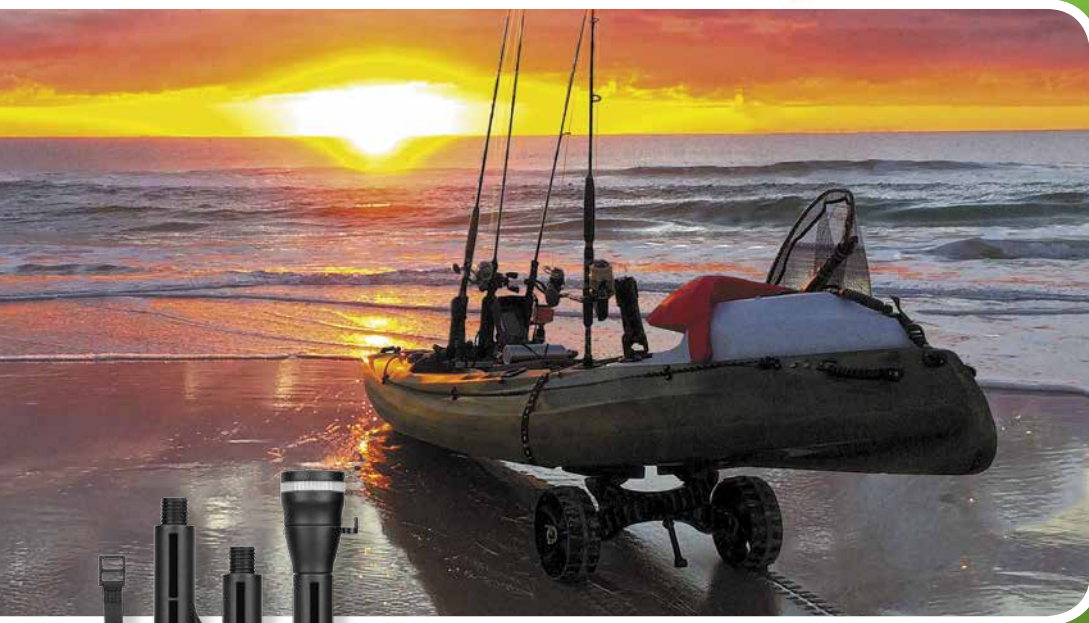


2016



www.RAILBLAZA.com

HOLD EVERYTHING...



Versatile, Easy-to-Use Mounting Systems
and Accessories for Leisure and Adventure Sports on and off the Water

STARPORT Where it Starts

The RAILBLAZA StarPort is a unique and versatile mount used in a huge number of applications. The StarPort allows users to fit and swap out our full range of RAILBLAZA accessories. Made from high grade engineering plastics, the StarPort is easy to fit and stylish. It can be surface or recess mounted on power boats, inflatables, sail boats, kayaks, ATVs, garages & many other applications...

- StarPorts can be horizontally or vertically mounted in minutes
- Low profile surface mount & minimal intrusion depth when recess mounting
- Includes a stylish locking slide for securing accessories firmly in place
- Gasket and bung reduces water ingress.

Twin Pack
03-4001-11 Black x 2
03-4001-21 White x 2

Single Pack
03-4015-11 Black
03-4015-21 White
Fasteners Included



03-4046-11
Black



03-4014-21
White



03-4014-11
Black

Fasteners Included



SIDEPORT

If you need to mount on a vertical surface, but require a horizontal port (or vice versa), the SidePort is the mount for you. It's ideally suited for gunwales of smaller aluminium boats or vertical cockpit wells on kayaks. Fitted in only minutes, and sold with all necessary stainless steel fasteners the SidePort is a fantastic mount and great value for money.

STARPORT HD

Many Kayaks and boats are made to suit the 4 hole base pattern of Scotty, RAM, Cannon, Fish-On, and many others. Now RAILBLAZA's original accessories can easily be fitted to these vessels. After many requests we introduce the StarPort HD. This is a stylish, four screw base mount, which comes with the popular RAILBLAZA locking slide, and is lower in profile than others on the market.

The StarPort HD can also be centrally mounted on many popular track systems, with the added versatility of tool-free adjustment. Just buy our TracMount Kit 03-4109-11, & open up the central hole bosses with a 6.5mm (1/4") drill bit.

Fasteners included

Many Kayak brands use threaded inserts. It is advisable to check the depth and thread of insert before fitting supplied fasteners, as these may need to be shortened. StarPort HD can also be attached using self tapping screws, long tri grip rivets or rubber well nuts.

CHOOSE A MOUNT

RAILMOUNTS 19-25

RAILBLAZA RailMounts are simple-to-use mounts, allowing the easy attachment of RAILBLAZA accessories, and many other things. Simply screw the RailMount together onto your rail, no need to drill holes so you can easily move the RailMount to a different spot, and your rail is as good as new!

The RailMount 19-25 can be mounted onto any 19 or 25mm (0.75 or 1") rail in minutes.

All RailMounts come complete with adapters, rubber grips, self-adhesive grip tape and the necessary stainless steel mounting screws.



RAILMOUNT 19-25

fits round rails 19mm (.75in) to 25mm (1in)

Combo pack

03-4011-11 Black RailMount & StarPort
03-4011-21 White RailMount & StarPort

Supplied with all necessary fasteners

RAILMOUNTS 32-41

The RailMount 32-41 is specifically designed for both circular and square 32 mm (1.25 in) rails, 41mm (1 5/8") round rails such as those found on Hobie kayak outriggers, and the **New Hobie H-Rail**.

All RailMounts come complete with adapters, rubber grips, self-adhesive grip tape and the necessary stainless steel mounting screws.

RAILMOUNT 32-41

fits round 32mm (1.25in) - 41mm (1.6in) rails, and square 32mm rails

Combo pack 03-4013-11 Black RailMount & StarPort
03-4013-21 White RailMount & StarPort



**NOW FITS
HOBIE H-RAIL**

*Supplied with
all necessary
fasteners*

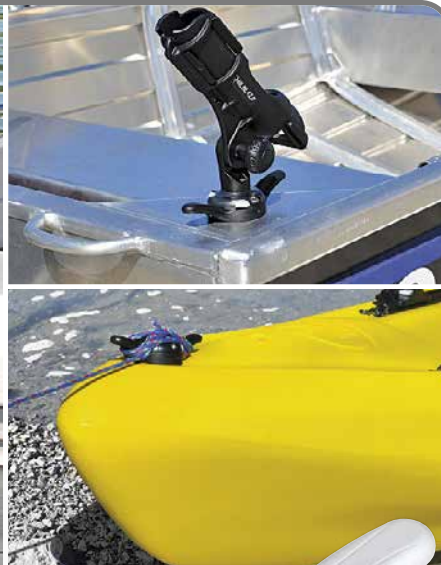




03-4044-11 Black



Fasteners included



CLEATPORT Two applications in one. The CleatPort gives you a tie off point for stern lines and bow lines on small craft. The StarPort gives the extra functionality of adding any RAILBLAZA accessory. Included is a unique backing plate keeping stainless fasteners isolated from aluminium decks avoiding corrosion.



03-4044-21 White



MINIPOINT TRACMOUNT

The MiniPort TracMount is designed to fit most existing kayak tracks, including, Wilderness Systems, Native Watercraft, Yak Gear & YakAttack. Tool-less operation allows easy fitting and adjustment by turning the MiniPort clockwise which tightens directly in the track using our TracNut. To re-position in the track, turn counter clockwise to release. You can also attach to SUP's which have 1/4 20 threaded inserts in the deck, the TracNut would need to be removed.

PLEASE NOTE:
Designed for use in light duty applications.



03-4108-11 Black



03-4104-11
StarPort TracMount Kit
StarPort not included

TRACMOUNT KIT

The TracMount kit allows you to attach StarPorts to leading brand kayak tracks, will fit many brands including Wilderness Systems, Feelfree, Yak Gear, Yak Attack.



03-4109-11
StarPort HD TracMount Kit
StarPort HD not included

STARPORT HD TRACMOUNT KIT

The StarPort HD TracMount kit attaches the StarPort HD to most kayak tracks. This gives tool free adjustment and by opening the centre holes, the StarPort HD can be centrally located on the track.

TRACPORT SERIES



THE TRACPORT DASH SERIES

Offers versatility and adjustability to your StarPort positioning.

The TracPort Dash 350 turns one StarPort into three. TracPort Dash 500 turns two StarPorts into four. StarPorts slide to adjust in track. Extra StarPort TracMounts can be purchased separately.



03-4101-11
StarPort TracMount Kit

StarPort TracMount kit ordered separately if you need to add extra StarPorts to the Track.



03-4103-11
TracPort Dash 350
Includes 350mm (13.75") Track with 3 StarPorts installed and 2 attachment adaptors



03-4102-11
TracPort Dash 500
Includes 500mm (19.5") Track with 4 StarPorts installed and 2 attachment adaptors



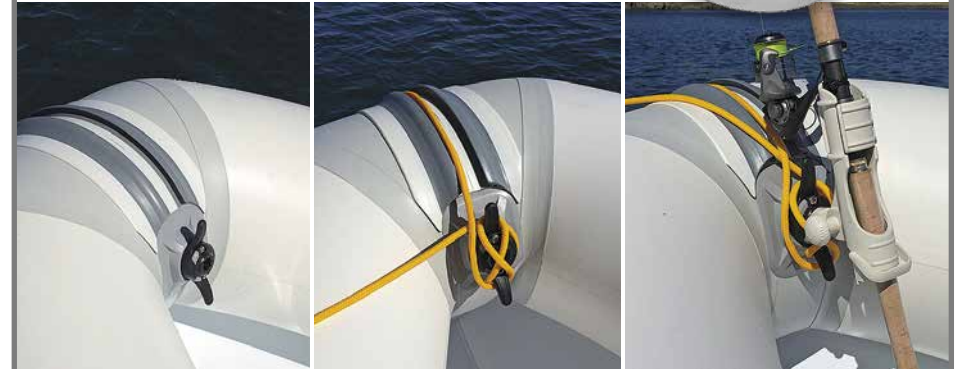
Used in conjunction with **02-4056-11** Bottle Holder



03-4066-11 Black

03-4066-21 White

03-4066-51 Grey



CLEATPORT RIBMOUNT

Bringing the Functionality of the CleatPort to your PVC or Hypalon Inflatable boat. It's a simple idea, but very effective. Now your cleat can hold your fishing rod, mobile phone, drink, navilight, or anything else that a RAILBLAZA accessory can hold. The CleatPort RIBmount is now supplied with the new 3M VHB pad this allows you to peel and stick the CleatPort RIBmount, then fit any of your favorite RAILBLAZA accessories.



03-4064-11
RIBPort Black



03-4064-21
RIBPort White



03-4064-51
RIBPort Grey

RIBPORT

Fitting rod holders and other accessories to RIB's & Inflatable boats just got easier. Now you can fit accessories like rod holders, bait boards, fish finders and more to RIB or Inflatable boats and kayaks without hassle or messy glues. The new 3M VHB pad allows you to peel and stick the RIBPort mount, then fit any of your favorite RAILBLAZA accessories.

The 3M VHB pad is now supplied with every RIBPort pack.

You no longer need a specialised outfitter, or to work with messy glues to install accessories to your RIB or Inflatable, with the RIBPort VHB pad you can install in the comfort of your own garage following the below instructions. Our team have run extensive trials on Hypalon, PVC & polyethylene inflatable craft and also recommend the VHB pad for use on epoxy SUP's or surfboards.

The RIBPort can also be attached using the same glues as used to attach handles etc to RIB's & inflatables.

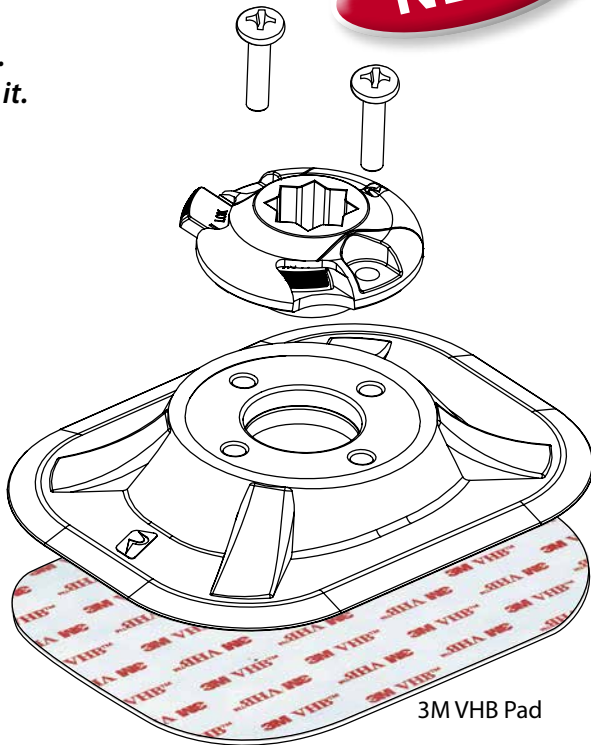
RIB MOUNTS

RIBPORT

With 3M VHB self adhesive pad.
No glue, no fasteners, just stick it.



NEW



The RAILBLAZA RIBPORT

The only hole you want in your inflatable
Ideal for use on Inflatable boats, SUPs and kayaks.
Will bond to PVC, hypalon, fibreglass, polyethylene,
aluminium and much more.

ROWLOCKS

The RAILBLAZA Rowlock adds the versatility of the RIBPort to your inflatable. Fit the Rowlock to the RIBPort ready for rowing then when not in use you can remove and stow the oar. Now you can attach any of the other RAILBLAZA accessories, like rod holders, drink holders or mobile device holders. Fits most standard aluminium oars.



02-4047-21
White



02-4047-11
Black



ROD HOLDER II

The Rod Holder II is robust, versatile, and value for money, it will hold your rod, you choose which position.

- Rotating collar helps reduce 'strike-theft'
- Rear gimble lock reduces rod rotation for compatible rods; lift to slide rods through
- Fully adjustable 360° around, over 90° vertical
- Easy access to reel when in position
- Square-tooth adjustable tilt stops rotational slipping.

The Rod Holder II is available either as a kit complete with a StarPort, or as a Rod Holder by itself.

For spinning reels, bait casting reels, boat reels, fly reels. Allows you to fit your Rod Holder to any StarPort, SidePort, RailMount or RIBPort.



Rod Holder only
02-4020-11 *Black*
02-4020-21 *White*

Rod Holder + StarPort Kit
04-4020-11 *Black*
04-4020-21 *White*

Rod Holder + StarPort HD Kit
04-4055-11 *Black*





02-4024-11 Fillet Table with platforms only
04-4024-11 Fillet Table including StarPorts and platforms



FILLET TABLE *When you need a bit of 'chop' on the water*

The 525 x 350mm (20.7x13.8in) design allows for knife storage, has an all round drain (with fitting for hose underneath) that stops spill from the front, and no front lip to get in the way while filleting (includes two adjustable platforms). Fillet Table can be raised 125mm (5in) with the addition of StarPort Extenders (as shown RHS).

KAYAK/CANOE SOUNDER & TRANSDUCER MOUNT

02-4060-11



The Sounder & Transducer Mount has been developed for kayak anglers needing an easy way to install and remove fish finders or sounders. With this kit you can install and uninstall your fishfinder, sounder & transducer in a matter of seconds. With our extensive selection of mounts this kit can be adapted to fit any kayak or canoe.

Kit Contents

- SwivelPort
- Adjustable Knuckle joint (not available as a separate part)
- Fixed StarPort Extender
- Cheek Mount Adaptor (not available as a separate part)
- Rotating Platform
- 4 x cable ties, 1x mounting screw

NEW



NOTE:

The transducer arm does not come with any Mounting Ports. Mounting Port options: ordered separately.

KAYAK/CANOE TRANSDUCER ARM

02-4061-11



The Transducer Arm has been developed for kayak anglers needing an easy way to install and remove fish finder transducers. With this kit you can install and uninstall your fishfinder transducer in a matter of seconds. With our extensive selection of mounts this arm can be adapted to fit any kayak or canoe.

Kit Contents

- SwivelPort
- Adjustable Knuckle joint (not available as a separate part)
- Fixed StarPort Extender
- Cheek Mount Adaptor (not available as a separate part)
- 4 x cable ties, 1x mounting screw

DEVICE HOLDERS



SCREENGRABBA

These days chartplotter, sounder and even radar output can be read on popular consumer electronics. The ScreenGrabba holds your iPad, Galaxy Tab or other touchscreen firmly, even when it's in a waterproof bag or case.



02-4045-11 ScreenGrabba
04-4045-11 ScreenGrabba + StarPort Kit

- Fits 7"- 10" tablets
- 360° rotatable
- Over 90° tiltable
- 250mm max tablet size
- Allows portrait & landscape viewing
- Will hold most hard & soft dry cases



Mobi only
02-4033-11 Adjustable Mobi
02-4034-11 Low Profile Mobi

Mobi + StarPort Kits
04-4033-11 Adjustable Mobi + StarPort Kit
04-4034-11 Low Profile Mobi + StarPort Kit



MOBI MOBILE DEVICE HOLDER

The RAILBLAZA Mobile Device Holder, or "Mobi" for short, is ready to look after your phone, GPS, VHF, EPIRB or other mobile device. Our unique design brings a new level of versatility to the device holder market. Once you have your Mobi you can attach it to any vessel or vehicle on water or land - basically any place you can install a RAILBLAZA mount.

- Features**
- Spring loaded arms
 - Rubber grip pads
 - Optional retaining strap
 - Adjustable and low profile options

- Holds**
- Cellphone
 - VHF
 - EPIRB
 - Hand held GPS

E SERIES PORTS

Available
October 2015



NEW

E SERIES USB PORT

The E series StarPort with USB combines a USB connector within our StarPort base allowing you to charge your tablets, mobile phones and many other devices.

This can be achieved using our range of device holders and StowPods to hold your device while charging. The E Series USB is designed for use on a 12 VDC supply, rated at 2.1Amps. For charging only and not for data transfer.



03-4080-11 Black
03-4080-21 White



NEW

E SERIES DC PORT

The E series DC Port socket combines a 12VDC 3A socket within our StarPort base allowing the connection of LED spotlights, cabin fans or depth sounders and many other devices.

This enables portability for your devices allowing you to transfer them to different StarPorts or remove and replace with another accessory.

The E series DC Port can also be mounted on the RAILBLAZA range of RailMounts allowing easy mounting and removal for LED floodlights.



03-4081-11 Black
03-4081-21 White

Kit includes 1 x Attachment Adaptor



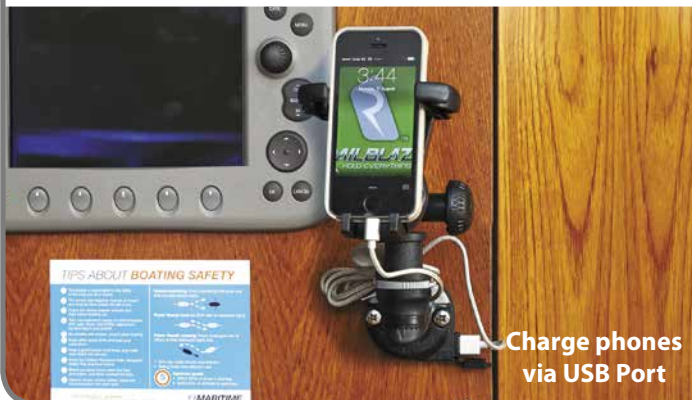
Charge tablets via USB Port



Charge USB devices via USB Port



Power 12V Fans via DC Port



Charge phones via USB Port



Power Depth Sounders via DC Port



Power LED floodlights Lights via DC Port

02-4037-11
Platform Boom 150
Black

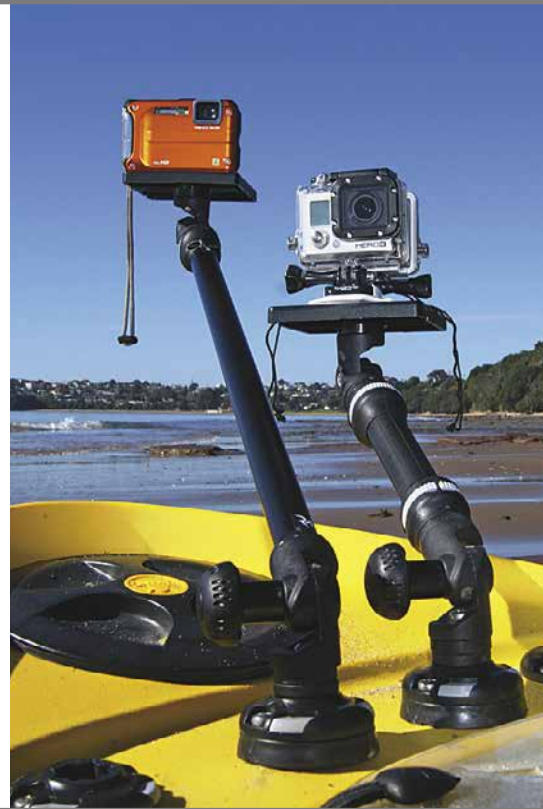


02-4036-11
Camera Boom
600 Black

PRO SERIES BOOM MOUNTS

The perfect way to hold your camera and capture the action when you're hauling in a record-breaking marlin or about to take line honours. At over 600mm (24in) long and fully adjustable with 5 moving joints, the Camera Boom 600 is so flexible it has been asked "how did they ever shoot that angle?". The camera platform can be removed from the top of the Boom and repositioned in other StarPorts or TelePole to capture even more angles.

The Platform Boom 150, will allow the mounting of heavier items – up to 2.5kg (5.5lb) – including sounders and GPS displays, but still give the flexibility of 5 moving joints. It can also be dismantled into 3 components for re-tasking, emphasising the full versatility of the RAILBLAZA system.



CUSTOMISE YOUR CAMERA MOUNTS

The versatility of the RAILBLAZA system lets you customize your camera mounts allowing you to extend booms and create stabilising arms giving you that special angle ensuring you to get the best possible footage.

Visit www.railblaza.com for more information.



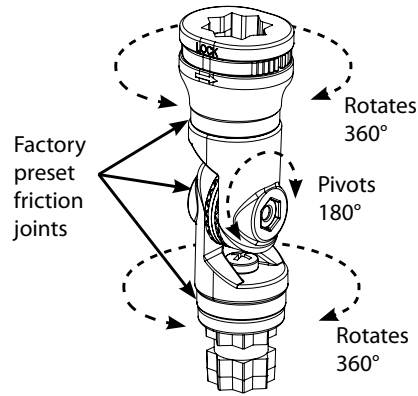
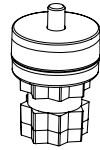
CAMERA MOUNT KIT

(Including 3 axis knuckle joint and adaptor)

This compact option allows you to adjust your camera to every angle, with factory set friction joints your camera will stay steady. You can also transfer it to any **RAILBLAZA** mount.

Features

- Fits all cameras with a ¼ 20 thread insert allowing them to become StarPort compatible
- Kit includes GoPro tripod adaptor
- Mounts on Rails, Boats, Kayaks and Inflatables with the correct **RAILBLAZA** mount
- Can be extended using **RAILBLAZA** Camera Booms or Extenders
- UV stabilised materials.



02 4054-11
Camera Mount Kit



CAMERA MOUNT ADAPTOR

The Camera mount adaptor will fit all cameras with a ¼ 20 thread insert allowing them to become StarPort compatible.

Also includes GoPro Tripod adaptor.
Fits any **RAILBLAZA** mount.



02-4053-11
Camera Mount Adaptor





Twin Packs
02-4004-11
Black HOOK25

Twin Packs
02-4003-11
Black EYE25

Twin Packs
02-4005-11
Black WEBEYE30

HOOK25, EYE25, WEBEYE30

These simple accessories can be used in a myriad of ways. WEBEYEs are used for webbing straps to reduce fold over. Each accessory is supplied in twin packs.

CLEVIS/BIMINI SUPPORT

Attach a bimini, kayak sail, light pole or many other items to your boat, kayak, or anything else.

02-4032-21
White twin packs

02-4032-11
Black twin packs



ATTACHMENT ADAPTOR

RAILBLAZA attachment adaptors are designed to make many items StarPort compatible. You can also bolt the 2 adaptors together to make a male to male fitting.

The male to male fitting has been used to create a detachable system for tubes on kayak sailor kits & outriggers & has many other applications, enhancing the versatility of the RAILBLAZA StarPort system.

Adaptors can be bolted together to create a male to male adaptor

02-4043-11
Adaptor Pair



CUPCLAM

Can be mounted in either horizontally or vertically mounted StarPorts, to hold mugs, stubbies, wine glasses, even cellphones. The extendable fingers hold the taller items in place, yet everything collapses into a convenient flatpack for storage. If you can't hold your drink, the CupClam will.

CupClam only
02-4013-11 *Black*
02-4013-21 *White*



DRINK HOLDERS/STORAGE



**StowPod only
Including Star Adaptor & fasteners**

02-4040-11 Black
02-4040-21 White

StowPod + StarPort Kit

04-4040-11 Black
04-4040-21 White

**Star Adaptor
can be vertical
or horizontal
mounted**



02-4048-11
Black

04-4048-11
Black incl
StarPort

02-4048-21
White

04-4048-21
White incl
StarPort



STOWPOD

- Holds pliers, keys, lures, phones, VHF's, binoculars, drink bottles, sunblock, mugs & much more...
- Movable drink holder partition
- Mounts into any vertical or horizontal StarPort or can be permanently fastened in place
- Mounts on rails or inflatables by adding the right RAILBLAZA mounts
- Available in black or white
- Easily removed and stowed when not in use or transferred to another position.
- 255mmW x 88mmH x 105mmD (10"W x 3.5"H x 4.5"D) excl Star Adaptor
- UV resistant material.

DRINKHOLD

Our customers have been asking for a simple drink holder for sometime. Well here it is, the DrinkHold can be easily mounted into a vertical or horizontal StarPort and will hold anything from drink bottles to coffee mugs along with the ability to hang fishing lures or store pliers. Like all our StarPort accessories it is easily removed and transferred to another port or stowed when not in use

ROTATING PLATFORM

A platform for mounting sounders or chartplotters, where a fixed plane surface is required, but rotation is needed.
Platform size
102 x 102mm (4 x 4in).



02-4021-11 Black



ADJUSTABLE PLATFORM

Allows the attachment of any platform-type product to a StarPort, eg: Fillet Tables, barbecues, tables, solar panels etc.
Adjustable angles forward and back 90°.
Supplied in singles. Platform size 100 x 64mm (4 x 2.5in).



Platform only
02-4002-11 Black
Platform + StarPort kit
04-4002-11 Black



THREE-AXIS PLATFORM

The Three Axis Platform is the answer if you need real flexibility in a mount. Designed with sounders and GPS devices in mind, you can now mount on angled surfaces & have your display level. Platform size 102 x 102mm (4 x 4in).



02-4025-11 Black



STARPORT EXTENSIONS

EXTENDER

StarPort Extenders plug into any StarPort, and have the same star shape on top with a clever little lock. The Fixed Extender gives you 125 mm (5 in) of clearance from the StarPort - perfect for raising RAILBLAZA's Fillet Table, keeping fly rods clear of the water, and many other applications.



03-4016-11
Black

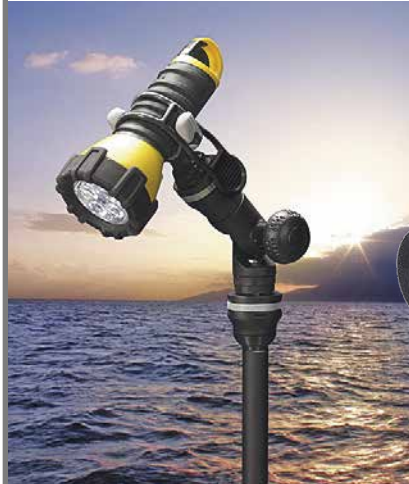


ADJUSTABLE EXTENDER

With two rotating joints and a knuckle joint that tilts in 15° increments, the adjustable extender adds great versatility. When coupled with one of RAILBLAZA's large range of accessories, it helps keep hold of your emergency torch, fishfinder, or any number of useful items.



03-4017-11
Black



SWIVELPORT

The SwivelPort is designed to allow accessories to be easily rotated 360°. Factory set friction joint. Can be attached to any StarPort, SidePort or RIBPort and will receive any StarPort accessory.



03-4042-11
Black





02-4009-11 Black Base



FLAGPOLE

Light and strong, whether you need to mount a diving flag or just proudly display your allegiance to your club, sport, country or hoist the Jolly Roger. Easily removed for stowing. 800mmL (31.5")



02-4010-11
Black Base



FLAGWHIP

Light, mobile & flexible, ideal for kayaks, ATVs or wherever you need to be seen.

- Increase visual presence on the water or farm
- 1200mm in length (47.25")
- Comes with 300 x 150mm pennant (12" x 6")
- Easily removed for transporting

STARPORT WALL SLING

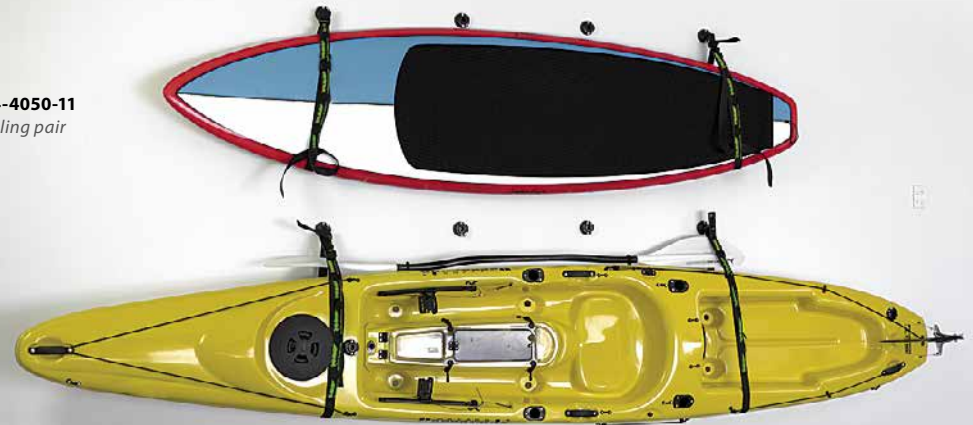
Sling Your Yak or SUP – with RAILBLAZA!

Storage of a wide range of watercraft including SUPs, canoes, windsurfers and kayaks just got quicker and easier with the RAILBLAZA StarPort Wall Sling.

Installed in minutes and supplied with StarPorts, slings, adjustment buckles and screws the StarPort Wall Sling is great value for money. The Wall Sling will free up space in your garage, shed or yard by allowing you to hang your craft on the wall. You can hang it outside on one pair of StarPorts to wash down, and then easily transfer it to another pair of StarPorts inside to keep it warm and dry! If you want to use your sling at another location like your holiday home it's as cheap and easy as fitting two more StarPorts. Kit includes 2 Slings.



04-4050-11
Sling pair



Using 2 sling pairs, mounting one board inside the other to reduce space



HOLD IT SAFE

G-HOLDS

Hold varying types of items, like torches, knife sheathes, boathooks, oars, gaffs and much more.

- Three diameters - 35, 50 or 75 mm (1.3, 2 or 3 in)
- They fit into any RAILBLAZA StarPort
- The flexible quick-release strap has two securing points for minimum and maximum diameters.



G-Hold Single Packs
02-4026-11 Black 35mm
02-4027-11 Black 50mm
02-4028-11 Black 75mm



GUNHOLD

The GunHold allows you to safely stow and transport your gun. The flexible rubber fingers shape to fit different gun butts and the strap secures the gun against vibration & damage. Will fit into all RAILBLAZA mounts. Sold singularly, however we recommend 2 units per rifle or shotgun.

We strongly recommend the RAILBLAZA GunHold is used in accordance with requirements of firearms legislation for the jurisdiction you are in.



NEW

DIVE & GAS BOTTLE HOLDER

The Dive & Gas Bottle Holder can be used for holding dive bottles, gas bottles, fuel and water cans. Can be permanently mounted using fastenings supplied or made removable using our StarPort mounting system.

Kit includes:

- 2 x Brackets
- 2 x Straps
- 2 x Ladder locks
- 1 x Side release buckle
- 2 x Star adapters for use when mounting into StarPorts
- 2 x Screw packs to allow permanent mounting



02-4056-11
Black

Applications



Rail Mounted StarPorts

StarPorts

StarPorts

Mounting options: Ordered Separately (refer to Mounting option pages).

NEW

TRACPORT DIVE & GAS BOTTLE HOLDER KIT

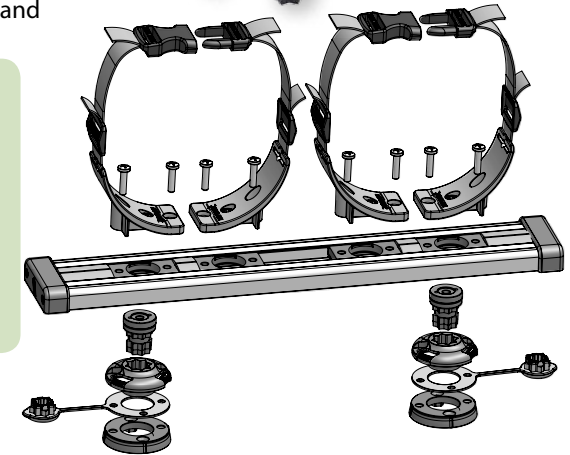
Kit includes:

- 2 x StarPorts and fasteners
- 2 x Pairs of bracket moldings
- 2 x Strap kits
- 500mm TracPort extrusion with end caps and 4 x track nuts.



04-4062-11
Black

Double bottle setup. Can be adjusted for different sized dive bottles. Once spaces for StarPorts has been decided, drill holes in TracPort to mount StarPort Adaptors - or fasten TracPort directly to surface.



The TracPort Dive & Gas Bottle Holder kit is a fully adjustable system allowing you to safely retain different sized dive bottles, gas bottles, fuel and water cans and even rubbish bins. Adjustable straps with quick release buckles allow for easy operation and full versatility.



NOTE: Longer tracks are also available on request or you can join multiple tracks together.

Single setup for Gas bottle or Fuel, Water cans. Easily adjusted to suit different diameters, shapes.



NEW

C.W.S. CARRY, WASH AND STORE BAG

02-4068-81
Mesh C.W.S. Carry, Wash and Store Bag

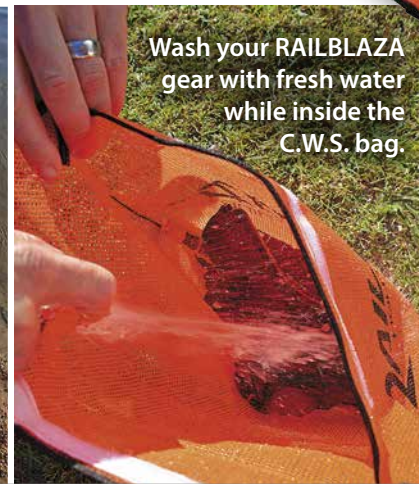
Carrying, washing and storing your valuable RAILBLAZA equipment is now a lot easier with the C.W.S. Bag. Simply remove the accessories from the StarPorts at the end of the day, stow them into the mesh C.W.S. Bag, run the bag under a fresh water tap or hose to rinse off any salt or dirt and hang to dry. The C.W.S. can also be used as a safety flag when used in conjunction with the RAILBLAZA Extenda pole 1000.



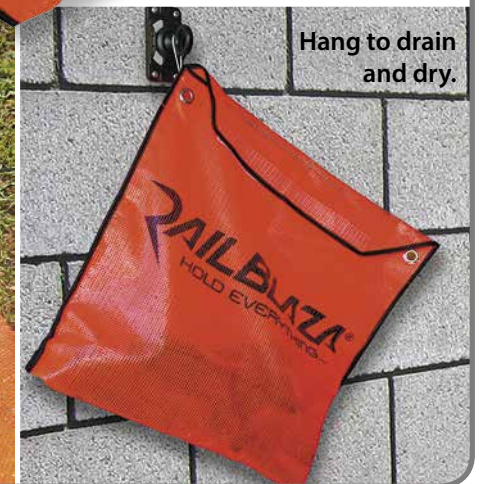
450mm x 450mm
(18" x 18")



Place all your RAILBLAZA gear inside the C.W.S. bag.



Wash your RAILBLAZA gear with fresh water while inside the C.W.S. bag.



Hang to drain and dry.



Kit includes:

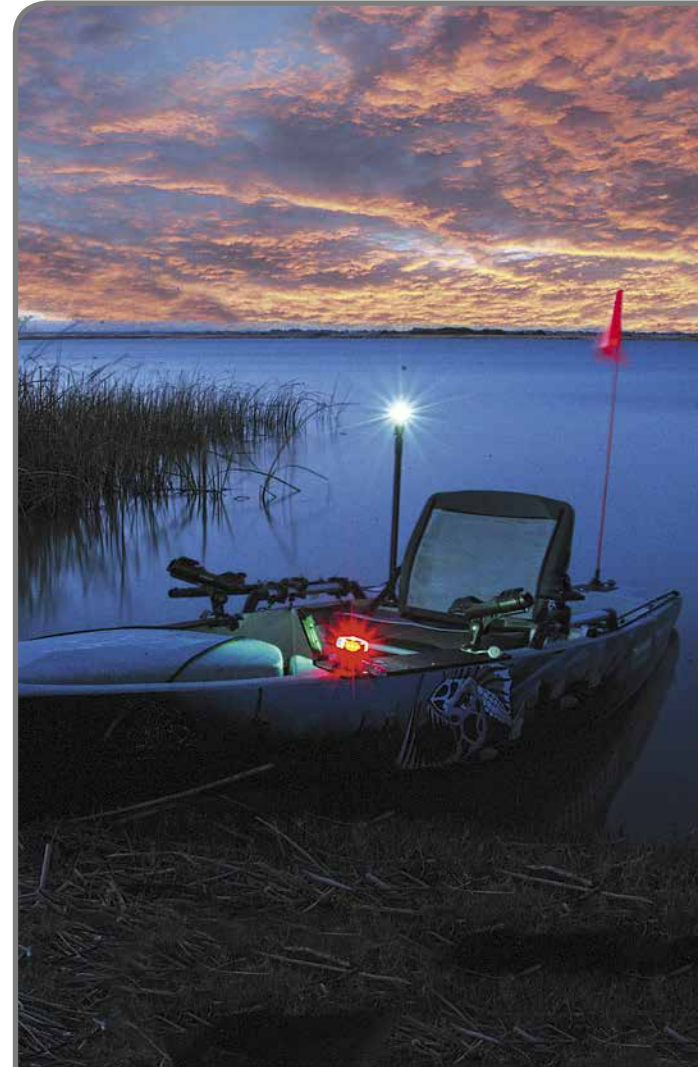
- TelePole extendable from 550mm (21.65") to 1050mm (41.3")
- Flourescent orange flag
- NaviLux 360 light to be seen after dark. Total height 1250mm (49.2")when attached to fully extended TelePole. Light can also be transferred to other StarPorts on deck allowing cockpit illumination using directional light shield supplied.
- StarPort and mounting fasteners
- TelePole can also be used for other applications like camera mounting.

KAYAK VISIBILITY KIT

Now you can buy everything in one kit to give day and night visibility when on the water in your kayak or canoe.

Visibility Kit
04-4041-11

Black
includes all fastenings



02-5003-11
NaviLux 360



Removable Light
Shield included

NAVILUX 360 KAYAK LIGHT

The RAILBLAZA NaviLux 360° Kayak Light offers Cree Technology. The single Cree LED is ultra bright, and gives off 110 lumens of light. Powered by 3 x AA batteries (not included), the NaviLux 360 has an operating time of 20 hours at full brightness, and over 40 hours at lower levels.



Use with your imagination,
torch, camera, lights,
action...

NEW

02-4067-11
Extendable Pole 1000

EXTENDABLE POLE 1000

The Extendable Pole 1000 adds another dimension of versatility to the RAILBLAZA system. With a male StarPort adaptor at one end and a female StarPort at the top it is fully collapsible for easy stowing.

It can be used at 3 different heights, 1 section height 380mm (15"), 2 sections height 680mm (27") or 3 sections height 980mm (38.5")

Fly a flag attach a light, attach a camera mount kit or adjustable extender with a G-Hold to hold a torch. Fits into any StarPort, SidePort, RailMount or RIBPort.



- Waterproof to 20 metres
- 2nm US COAST GUARD APPROVED
- 13-15 HRS Constant light
- 80-85 Hrs Flashing light
- 22-24 Hrs Forward Lights
- 30-32 Hrs Stern facing Light
- 70-72 Hrs Mood Lighting 4 Led's only
- Runs off 3 x AAA Batteries



- USCG Approval 33 CFR 183.810
- Meets ABYC A-16
- 2 Nautical Mile visibility

↓
20m



02-5001-11
LED NAVILIGHT
Allround white



- Waterproof to 20 metres
- 2nm US COAST GUARD APPROVED
- 10-12 Hrs all Lights on
- 60 Hrs White Stern light only
- 35 Hrs Red and Green lights only
- 70 Hrs Red light only
- 70 Hrs Green light only
- Runs off 3 x AAA Batteries



02-5002-11
LED NAVILIGHT
Port/Starboard



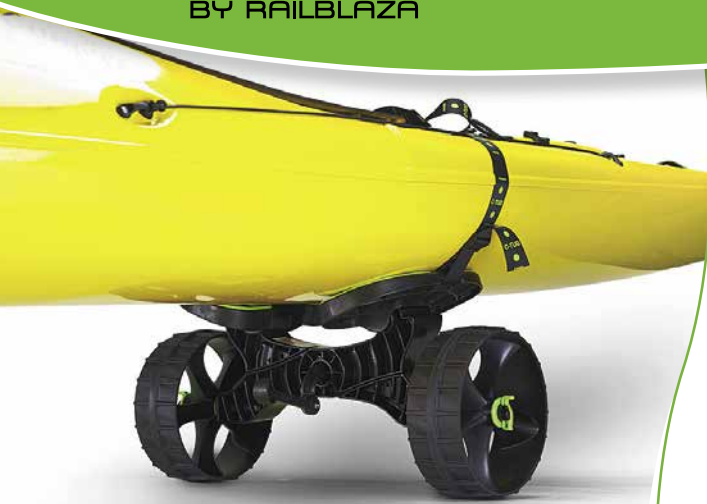
LED LIGHTS

RAILBLAZA have collaborated with NAVISAFE from Norway to offer a range of LED navi lights to suit your kayak or small power boat. They can even be used as emergency Navi lights for a sailboat. The lights will fit into any StarPort, SidePort, RailMount, RIBPort, StarPort Extender and into our Extendable Pole 1000 for that extra height required.



The Ultimate Kayak & Canoe Trolley

The C-TUG kayak trolley is designed and manufactured in Napier, New Zealand. Unlike any other trolley in the paddle sport arena today, C-TUG continues to amaze sport enthusiasts with its rugged appeal, incredible strength and satisfying good looks.



- Reinforced composite material
- Tool-free assembly
- Dismantles in under 20 seconds
- Fits inside kayak hatch
- Thermo-bonded elastomeric hull pads
- Stainless steel reinforced axles
- Puncture-free wheels with hi-grip rubber tread
- 2.4m (7.5') strap with cam-lock buckle
- Adjustable kick-stand
- Light weight 4.3 kg (10lbs) and easy to handle
- 120kg (300lbs) static loading

Made in New Zealand

WWW.C-TUG.COM



Kiwi Wheels

Puncture free with hi-grip rubber tread. If you have an old C-TUG with pneumatic wheels and want to upgrade, all you do is clip off your old wheels, and clip on the new ones, easy as!!

Part no: 50-0002-71

(Supplied as a pair)

Dimensions: Dia. 260mm (10"), Width. 90mm (3.5")



C-Tug Trolley

The New Zealand made C-TUG is the best, most versatile and durable kayak trolley on the market. It carries up to 120kg (300lbs), dismantles in under 20 seconds to fit into a kayak hatch and won't corrode.

Part no: 50-0001-71

*Packaged box size: 580mm x 270mm x 200mm
(23" x 10.5" x 8") 4.3kg (10lbs)*



RAILBLAZA LTD

Email: info@railblaza.com

Ph: +64 9 426 1475 Fax: +64 9 426 1477

Go to our website for Youtube tutorials & Demo videos

www.railblaza.com



Installation & Demo Videos!