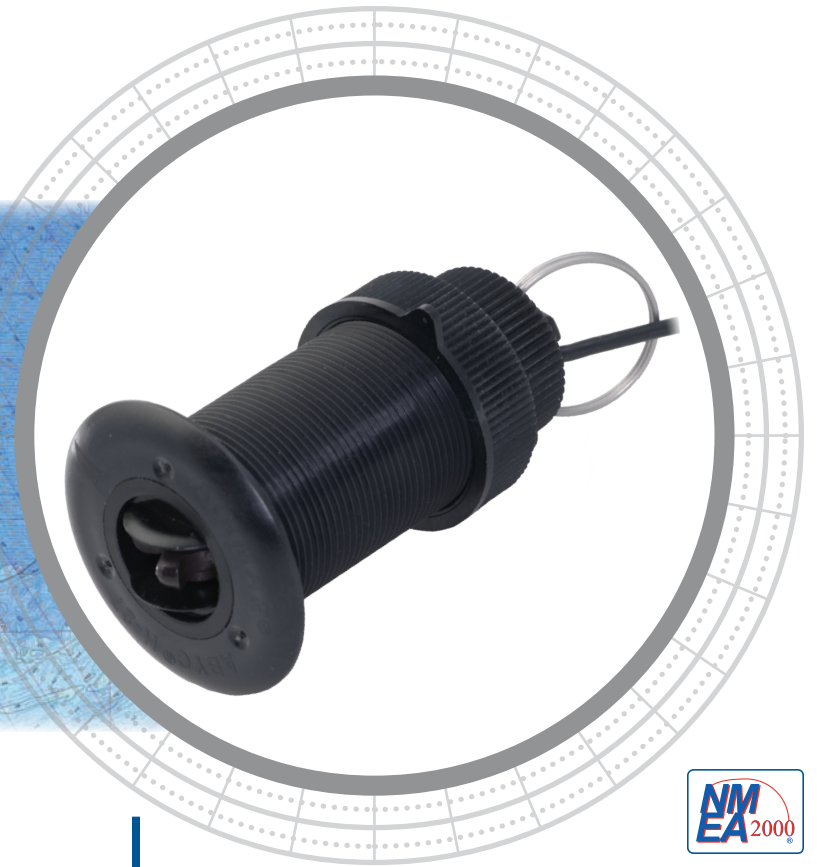


ST800 ST850



The Smart Alternative!

Airmar's New ST800 and ST850 Smart™ Sensors feature embedded micro-electronics. Speed and temperature signals are processed inside the sensor and can be displayed on any radar, chart plotter, or device that accepts NMEA 2000® data.

Minimize Your Drag

The ST850 is Airmar's standard, thru-hull, speed and temperature sensor. The plastic, bronze, and stainless steel outer housing options are available to meet all hull requirements. These low-profile housings are nearly flush and minimize drag with only 5 mm (3/16") extending outside the hull.

Eliminate Turbulence

The plastic P217 and bronze B119 countersunk flush outer housings are easy-to-install. The plastic P314 and bronze B21 outer housing options have a traditional beveled-edge for flush mounting. Flush-mount housings eliminate turbulence for accurate readings at high-speeds. They are the optimal choice for installation in racing sailboats and high-speed powerboats.

Thru-Hull Speed & Temperature Smart™ Sensors

Features

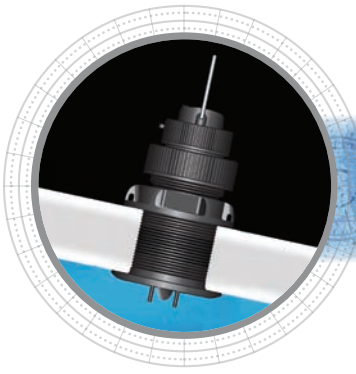
- Speed and temperature
- NMEA 2000® or Analog output options
- Retractable plastic, bronze, or stainless steel housings with valve sleeve
- ST800—Retrofits into Airmar P120 and B120 housings
- ST850—Retrofits into Airmar P17 and B17 housings
- 6 m (20') NMEA 2000 cable, 9 m (30') Analog cable
- Devicenet connector or NMEA 2000 version
- Speed Range: 2 knots to 45 knots (2 MPH to 52 MPH)



Sensing Technology

www.airmar.com

ST800, ST850



Technical Information

SPECIFICATIONS

Weight:

- 0.7 kg (1.4 lb)—Plastic
- 1.3 kg (2.8 lb)—Bronze
- 1.6 kg (3.5 lb)—Stainless Steel

Speed Range: 2 knots to 45 knots (2 MPH to 52 MPH)

Acoustic Window: Urethane

Hull Deadrise: Up to 22°

Data Update Rate: 1 per second

Pressure Rating: 3 m (10')

Pulse Rate: 17,000 p/nm* (4.8 Hz per knot)—*p/nm = pulses per nautical mile

Supply Voltage: 9 VDC to 16 VDC

Supply Current: <200 mA

Standard Cable Length: 6 m (20') NMEA 2000 cable, 9 m (30') Analog

Temperature Sensor Accuracy: ±0.5°C (±1.8°F)

Temperature Sensor Range: -10°C to 40°C (14°F to 104°F)

NMEA 2000® Load Equivalency Number (LEN): 2

CE Regulation: Complies to IERC60945

DATA OUTPUT PROTOCOL

Analog Paddlewheel Format

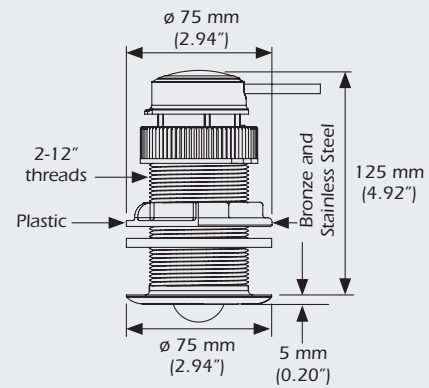
OR

NMEA 2000® Supported PGNs

- 59392..... ISO Acknowledgement
- 600928..... ISO Address Claim
- 126208..... Acknowledge Group Function
- 126464..... Transmit PGN List Group Function
- 126464..... Received PGN List Group Function
- 126996..... Product Information
- 128259..... Speed (Speed Water Reference)
- 128275..... Distance Log
- 130310..... Environmental Parameters (Water Temperature)
- 130311..... Environmental Parameters (Water Temperature)
- 130312..... Environmental Parameters (Water Temperature)

DIMENSIONS

ST800
P120 Plastic, B120 Bronze



ST850
P17 Plastic, B17 Bronze, and SS577 Stainless Steel

