

SEAVIEW
by PYI



Complete Mounting Solutions for Marine Electronics

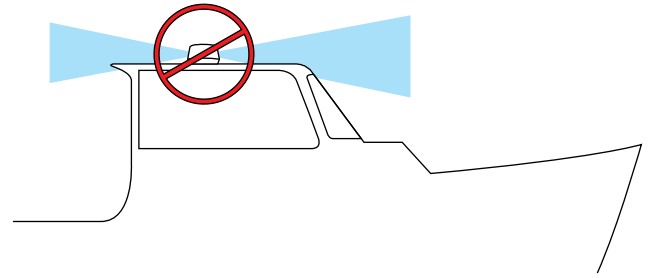
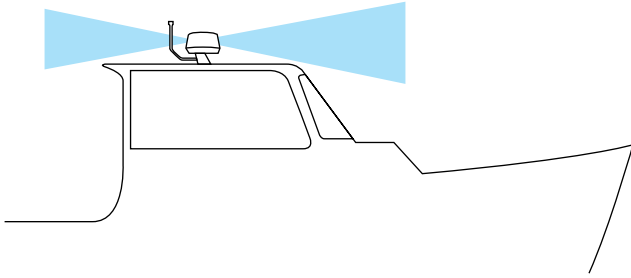


www.SeaviewGlobal.com

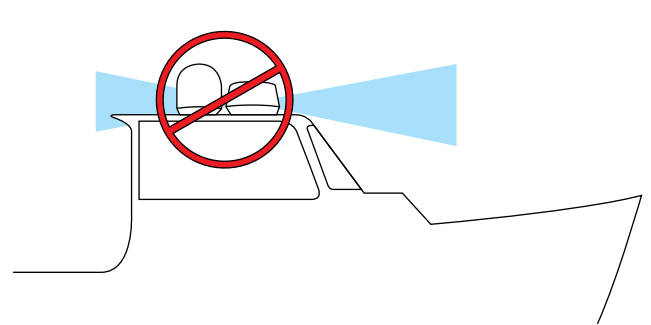
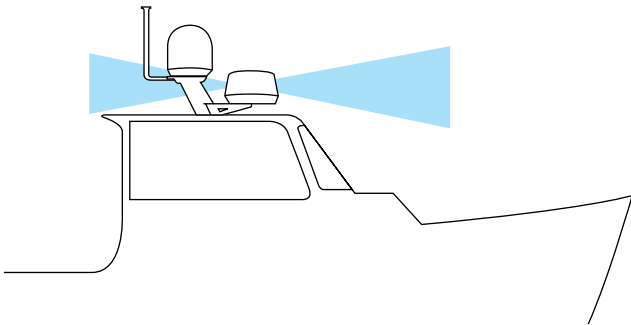


The Technical Benefit Of Seaview Mounts

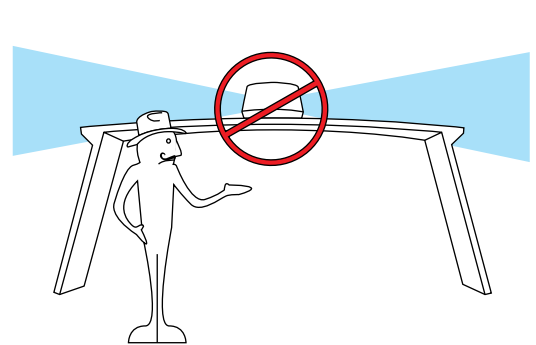
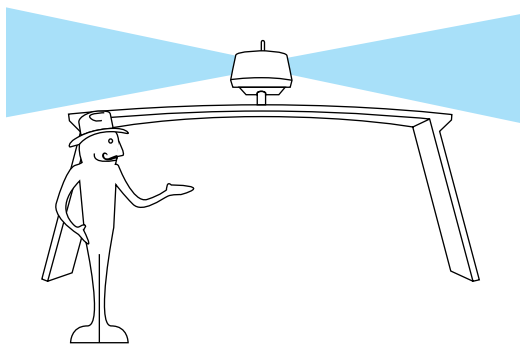
MAXIMIZE PERFORMANCE: Beam angle should be free and clear of obstructions and vessel superstructure



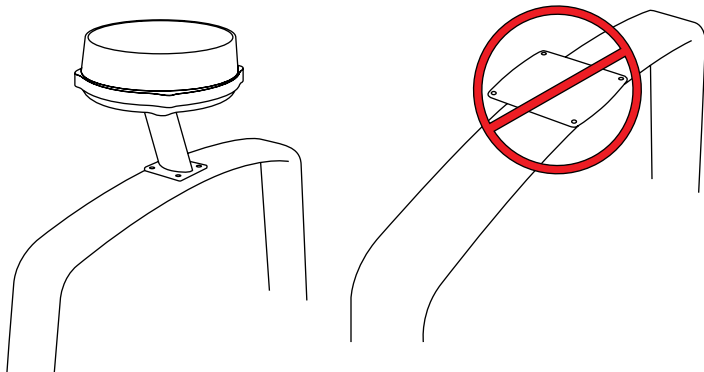
MAXIMIZE PERFORMANCE/LONGEVITY: Mounting satdome above radar eliminates antenna interference, increases longevity



SAFETY: Beam of typical radar must clear all heads on board



LIMIT SPACE AND IMPROVE LOOK: Reduced footprint and attractive addition to any vessel



Seaview products offer a full range of standard and custom mounting solutions for the growing market of radar, telecommunication & vision related marine products. As you have seen above, **Seaview products offer optimal positioning of all radar & satdome models. This ensures maximum performance & safety from the electronics while providing a durable, attractive addition to any vessel.**

As always, our primary goal is to provide our customers with quality products, innovative solutions & a level of customer service second to none. Thank you for your business.

Seaview Sail Pod

Key features specific to Sail Pod range:

- Fit the majority of steering gear including Jefa, Whitlock and Edson
- Fit standard (12"/ 9½") and non standard guard rails, using unique rear fixing template
- Units can be tailored to fit other non standard systems
- Supplied with stainless steel brackets suitable for 1⅛", 1" and 1¼" rails



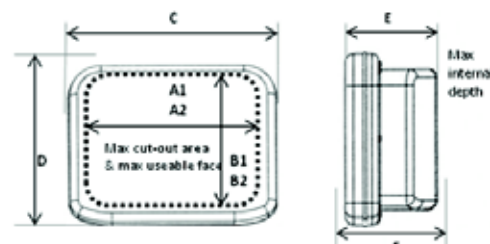
Sailboat products suitability:

- POD-1S - Uncut LG multi functional Sail Pod / 16.5" x 13" Usable Face
4ea S.S. Clamps
- POD-2S - Uncut MED multi functional Sail Pod / 14.5" x 11.4" Usable Face
4ea S.S. Clamps
- POD-3S - Uncut to fit Three std 110 x 110mm instruments Sail Pod
14.5" x 5.5" Usable Face/ 2ea S.S. Clamps
- POD-4S - Uncut to fit Four std 110 x 110mm instruments Sail Pod
19.25" x 5.5" Usable Face/ 2ea S.S. Clamps
- POD-5S - Uncut to fit One std 110 x 110mm instrument
5.5" x 5.5" Usable Face/ Available w/ S.S. clamp or swivel base



Pre-cut Sail Pods are available for all main navigation instruments, cutting fee \$20.00

Seaview Sail Pod Dimensions									
	MAX CUT-OUT AREA		MAX USABLE FACE		WIDTH	HEIGHT	INT DEPTH	EXT DEPTH	WEIGHT
	A1	B1	A2	B2	C	D	E	F	
	inch	inch	inch	inch	inch	inch	inch	inch	lbs
POD-1S	15.35	11.81	16.53	12.99	17.83	14.17	6.30	6.69	13
POD-2S	12.99	9.84	14.56	11.42	15.55	12.40	6.30	6.69	11
POD-3S	12.99	3.74	14.56	5.51	15.55	6.30	2.36	2.95	6
POD-4S	17.32	3.74	19.29	5.51	20.07	6.30	2.36	2.95	7
POD-5S	4.33	5.31	5.51	5.51	6.49	6.69	2.95	3.34	5
	mm	mm	mm	mm	mm	mm	mm	mm	kg
POD-1S	390	300	420	330	453	360	160	170	5.89
POD-2S	330	250	370	290	395	315	160	170	4.99
POD-3S	330	95	370	140	395	160	60	75	2.72
POD-4S	440	95	490	140	510	160	60	75	3.17
POD-5S	110	135	140	140	165	170	75	85	2.3



Note: The measurements take into account that the surface face of your instrumentation could be larger than the max cut out area and have classed this as Max usable face.

Power Pods

Radome mounts for all electronic brands & models:

- Accommodate nearly all brands of marine electronics
- Supplied pre-cut or uncut for your convenience
- Full adjustable mounting base for better viewing
- Available with white or black base
(Customizable base color available)
- Can be mounted vertical or up-side-down
- GORE™ protective vent for proper ventilation



Supplied pre-cut or un-cut for your convenience

Water tight gasket

UV resistant ABS plastic housing

Security screws

Marine grade primed and powder coated aluminum base
(available in white or black)

GORE™ protective vent

Tip: The GORE™ protective vent effectively relieves pressure buildup caused by the changing temperature. This vent keeps the water out but still vents gases.

Polished S.S. quick release handles for full horizontal & vertical adjustability

Radars Mounts

Radome mounts for all electronic brands & models:

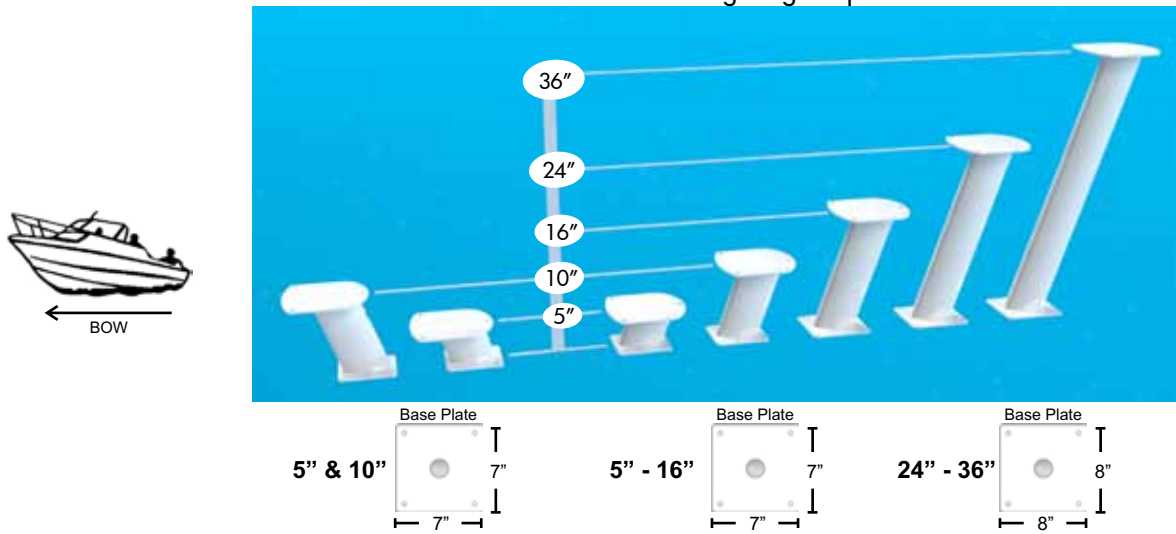
- High quality marine grade aluminum
- Primed and powder coated brilliant white
- Choice of 20° aft or forward leaning profile
- Many height options available
- 5" aft models also available in stainless steel
- Mounts accept light bars & radar mount accessories



Installation Tip: Identify and measure potential obstructions to determine necessary mount height. If no obstruction is present, height is for aesthetic purposes only. See Light Bar & Accessory options on page 6.



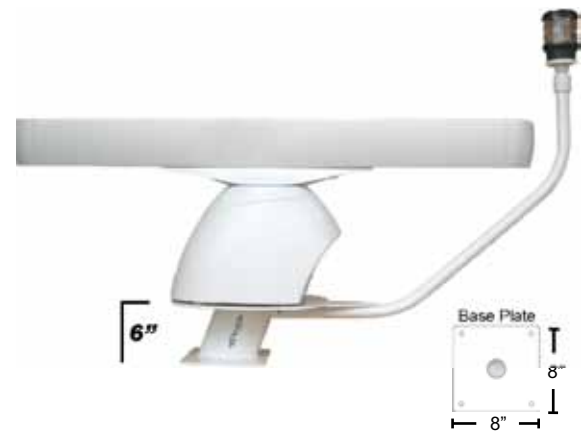
Forward & Aft Leaning Height Option



Open array mounts for all electronic brands:

- High quality marine grade aluminum
- Primed and powder coated brilliant white
- 20° aft leaning profile
- Stock height is 6" with a 8"x 8" base
- Mounts accept OA light bars & radar mount accessories

Installation Tip: With a clear view of the horizon you will optimize the function of your radar. See radar mount accessories on page 6 for our many wedge options.



Radome Mount Accessories

Radome mount light/accessory bar options:

- High quality marine grade aluminum or stainless steel
- Primed and powder coated brilliant white
- Secured with patented Q-Lock mechanism
- Available with accessory adapter, Perko or LED lights
- 1" diameter light/accessory bar

Installation Tip: When installing additional electronic accessories (GPS, radio, VHF, etc). Use LTB + additional radar mount accessories below. The LTB-100 & LTB-100-LED come equipped with lights USCG approved for power-driven vessels up to 65.6ft (20m)



Open array mount light/accessory bar options:

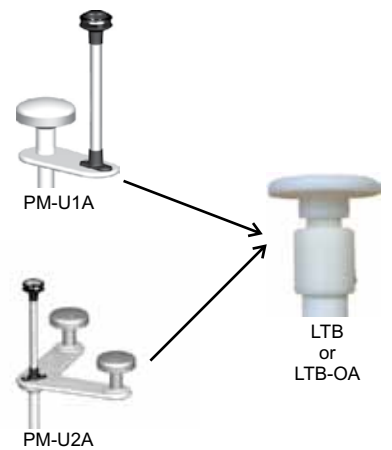
- High quality marine grade aluminum
- Primed and powder coated brilliant white
- Secured with bolt on system for increased strength
- Available with accessory adapter, Perko or LED lights or box top
- 1 1/4" diameter heavy duty light/accessory bar

Installation Tip: When installing additional electronic accessories (GPS, radio, VHF, etc). Use LTB-OA + additional radar mount accessories below. The LTB-OA-100 & LTB-OA-100-LED come equipped with lights USCG approved for power-driven vessels up to 65.6ft (20m). Use LTB-OA-BOX to accommodate Aqua Signal 40/41 Series lights (Anchor + Streaming + Stern).



Radome & Open Array Mount Accessory Options:

- **Wedges:** Available in 2°, 4°, and 6° for all radar mounts
- **Hinges:** Adapt to all radar mounts 5" - 36"
- **Accessory Adapters:** Mount directly onto LTB model
- **Light Kit:** Floodlight adapts to all light/accessory bars



Dual Mounts

PMA-DM1 series dual mounts for all radome & satdome Combinations:

- High quality marine grade aluminum
- Primed and powder coated brilliant white
- Accommodates most radome & satdome combinations
- Mounts accept dual mount light bars & accessories (pg.8)
- Radar plate height = 3.9"/ top plate height = 13.1"

1" = 2.54cm



PMA-DM2 series dual mounts for all open array & satdome combinations:

- High quality marine grade aluminum
- Primed and powder coated brilliant white
- Accommodates most open array (up to 4') & satdome combinations
- Mounts accept dual mount light bars & accessories (pg.8)
- Radar plate height = 4.9"/ top plate height = 22.8"

1" = 2.54cm



PMA-DM3 series dual mounts for all radome & satdome combinations:

- High quality marine grade aluminum
- Primed and powder coated brilliant white
- Accommodates most closed domes (up to 25") & satdome combinations
- Mounts accept dual mount light bars & accessories (pg.8)
- Radar plate height = 6.5"/ top plate height = 27.8"

Tip: Ideal for arch applications or installations with limited clearance ahead of the mount.

1" = 2.54cm



PMA-DM4 series dual mounts for all open array & satdome combinations:

- High quality marine grade aluminum
- Primed and powder coated brilliant white
- Accommodates most open array (up to 4') & satdome combinations
- Mounts accept dual mount light bars & accessories (pg.8)
- Radar plate height = 6.5"/ top plate height = 27.88"

Tip: Ideal for arch applications or installations with limited clearance ahead of the mount.

1" = 2.54cm



Arches

ARCH-1 series adjustable arches for all radome & satdome combinations:

- High quality marine grade aluminum
- Primed and powder coated brilliant white
- Accommodates most radome & satdome combinations
- Mounts accept dual mount light bars & accessories
- Adjustable wedges (4) included

Installation Tip: Use adjustable Arch Feet when mounting on any uneven surface. See available Light Bars & Accessories on below.



ARCH-2 series adjustable arches for all open array & satdome combinations:

- High quality marine grade aluminum
- Primed and powder coated brilliant white
- Accommodates all open array & satdome combinations
- Mounts accept dual mount light Bars & accessories
- Adjustable wedges (4) included
- (2) threaded studs (1x14) for additional electronics

Installation Tip: Use adjustable Arch Feet when mounting on any uneven surface. See available Light Bars & Accessories below.

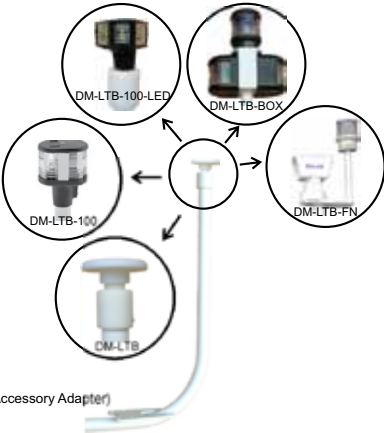


Dual Mounts & Arch Accessories

Dual Mount & Arch Light/Accessory Bar Option:

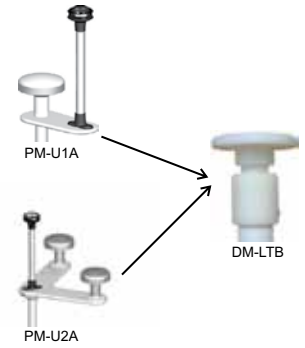
- High quality marine grade aluminum
- Primed and powder coated brilliant white
- Secured with bolt on system for increased strength
- Many light bar options available
- 1 1/4" diameter heavy duty light/accessory bar

Installation Tip: When installing additional electronic accessories (GPS, radio, VHF, etc). Use DM-LTB + additional Dual Mount Accessories below. The DM-LTB-100 & DM-LTB-100-LED come equipped with lights USCG approved for power-driven vessels up to 65.6ft (20m). Use DM-LTB-BOX to accommodate Aqua Signal 40/41 series lights (Anchor + Steering + Stern).



Dual mount & arch accessory options:

- **Wedges:** Available in 4° for dual mount bases (10x10)
- **Hinges:** Adapt to dual mount bases
- **Accessory Adapters:** Thread directly onto DM-LTB model
- **Light Kit:** Floodlight adapts to all light/accessory bars

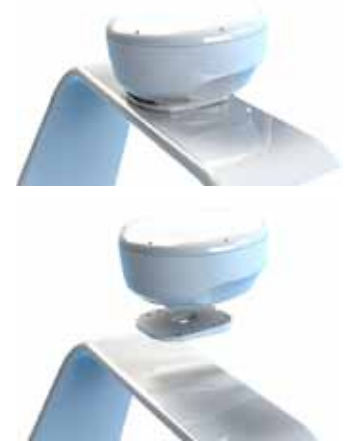


Direct Mount Radar Wedges

4° Radar wedges for all radomes & open arrays:

- Machined from KingStarboard®
- Used directly between radar and mounting surface

Installation Tip: Utilize wedges to compensate for deck angle or planing attitude of boat when additional mounting height is not required.



Tapered Radar Mounts

PMA-100 product highlights:

- High quality marine grade aluminum
- Primed and powder coated brilliant white
- Accommodates Aal 2kW & 4kW radomes
- Spreaders equipped with accessory adapters
- Radar plate height = 8"/overall height = 30"

1" = 2.54cm



PMA-200 product highlights:

- High quality marine grade aluminum
- Primed and powder coated brilliant white
- Accommodates all open array radars up To 4'
- Spreaders equipped with accessory adapters
- Radar plate height = 5"/overall height = 30"

1" = 2.54cm



Satdome Mounts

Satdome mounts for all electronic brands & models:

- Accommodates all satdome brands & models
- High quality marine grade aluminum
- Primed and powder coated brilliant white
- 28° aft leaning profile
- Stock heights are 5", 12" & 18"
- 12" & 18" models accept dual mount light bars
(See Page 8)

Installation Tip: Satdome antennas must be positioned above the radar and clear of the radar beam. Choose mount height accordingly.



Low profile satdome adapters:

- Accommodates all satdome brands & models
- 3" models made with UV stable white ABS plastic
- 5" models made of high quality marine grade aluminum
- Small mounting base for space limited installations
- Stock heights are 3" and 5"
- See AMA-W for slope variation adjustment
(0°-12° Adjustment)



Camera & Search Light Mounts:

Night vision camera mounts (Flir & Others):

- Accommodates most night vision camera models
- High quality marine grade aluminum
- Primed and powder coated brilliant white
- Solutions available for all mounting applications
- Full product line for new Raymarine T-Series & Flir M-Series



Search light mounts:

- Accommodates most search light models
- High quality marine grade aluminum
- Primed and powder coated brilliant white
- Solutions available for all mounting applications
- Full product line for ACR, Go-Light & others



Mast Platforms

Radar & satdome mast platforms:

- Accommodates all radar/satdome brands & models
- High quality marine grade aluminum
- Primed and powder coated brilliant white
- Accommodates 2⁵/₈" diameter mast & larger
- Guards for all 2kW & 4kW radomes available
(Protects radome from damage & reduces wear on sails)



Optional flybridge adapter kit available upon special request.



Installation Tip: Boats with Isomat masts (Integral Track At the Front) must use Isomat adapter SM-AD-ISO.

Self leveling radar mount - **Mast: SLM-1S**

- Optimizes radar function & picture
- Accommodates all radar brands & models
- Maintains level view of horizon through heels & rolls
- Stainless steel radar bracket - minimizes weight
- Oil dampened head unit - ensures durability



Pole Mounts

Universal radar mast system:

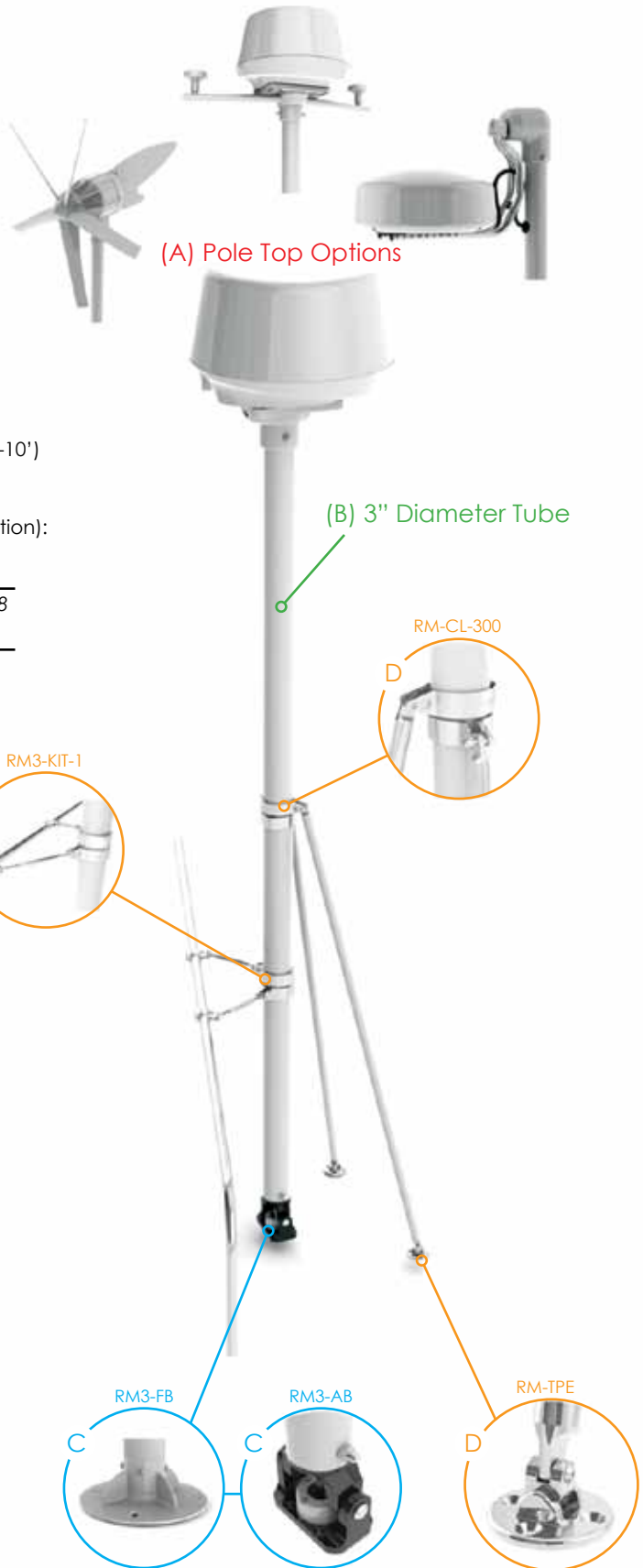
- Accommodates all radar brands & models
- Accommodates select wind-generators
- Available in aluminum or carbon fiber
- 3" & 4" pole diameters available
- Space saving base footprint
- Many pole top options available

How To Order Your Pole Mount:

- (A) Select Pole Top Option and/or Specify Radar Make & Model
- (B) Specify Required Pole Height & Diameter (3" or 4"); Typically (8'-10')
- (C) Determine Fixed Base (RM-FB) or Adjustable Base (RM-AB)
- (D) Specify Secondary Support Kits (determined by installation location):
 - **RM3-48-S** = (2EA) RM-SS-48 + (2EA) RM-CL-300 + (2EA) RM-TPE
 - **RM3-RS-1** = (1EA) RM3-KIT-1 + (1EA) RM-CL-300 + (1EA) RM-SS-48 + (1EA) RM-TPE

** 4" Diameter Pole = RM4-48-S & RM4-RS-1 **

Installation Tip: Radar height should clear all heads on board by approximately 2', select pole height accordingly (typically 8')

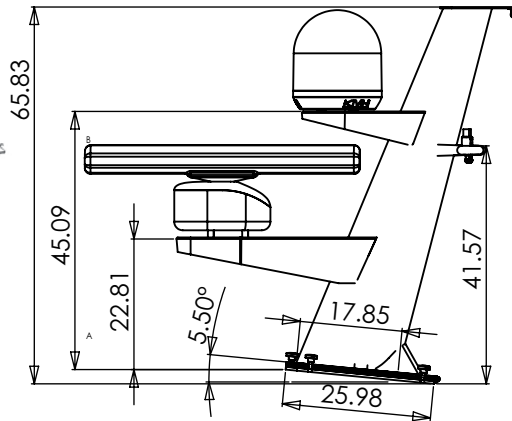
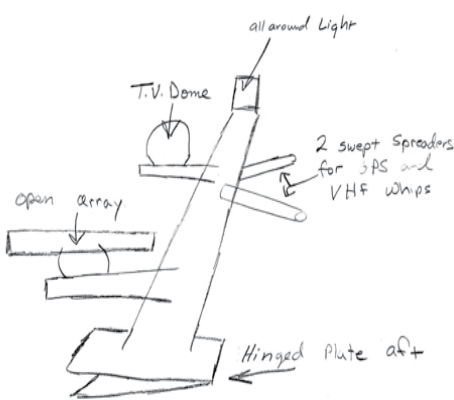


Custom & OEM Division

Complete custom design & production specific to your application:

- Experienced design/engineering team
- Modeled specific to your personal design & needs
- Industries fastest turn-around time
- Unsurpassed quality & customer service

Design → *Model* → *Production* → *Delivery Timeline*



DAY 1

Napkin Sketch From Customer
(rough dimensions, electronics, accessories, etc)

DAY 2

Seaview Provides Dimensional
CAD Drawing For Customer Review

DAY 3

Seaview Presents 3D Model
Following CAD Approval

Custom examples can be found at
www.seaviewglobal.com. Call or email
to request our custome catalog.



Photo Courtesy of American Tug; Shown on American Tug 49

3 - 4 WEEKS

Seaview Completes Production & Mast Is Shipped Ready For Installation



RADAR MOUNTS

RADAR BRAND AND MODELS	SCANNER TYPE	FIXED MAST PLATFORM	SELF LEVELING MAST PLATFORM	DIRECT MOUNT RADAR WEDGES	STAINLESS STEEL RADAR MOUNTS	AFT LEANING RADAR MOUNT	FORWARD LEANING RADAR MOUNT	FORWARD LEANING RADAR MOUNT WITH LIGHTBAR OPTION	FORWARD LEANING RADAR MOUNT WITH LIGHTBAR OPTION	
		Page 11	Page 11	Page 9		Page 5	Page 5	Page 5	Page 5	
				4°	5" TALL	5" TALL	5" TALL	5" TALL	10" TALL	5" TALL
FURUNO										
1621 - 1622 - 1623	15" radome	SM-18-U	SLM-1S	RW4-1	PMA5U7LSS	PMA5U7	PMF5U7	PMF5U7L	PMF10U7L	PMA5U7L
1712 - 1715 - 1823 - 1824	18" radome	SM-18-U	SLM-1S	RW4-1	PMA5U7LSS	PMA5U7	PMF5U7	PMF5U7L	PMF10U7L	PMA5U7L
DRS2D (NavNet) 1721 / 22 / 23 / 24	18/19" radome	SM-18-U	SLM-1S	RW4-1	PMA5U7LSS	PMA5U7	PMF5U7	PMF5U7L	PMF10U7L	PMA5U7L
1732 - 1733 - 1734	24" radome	SM-24-U	SLM-1S-SLAP1	RW4-6	PMA5FJ7LSS	CALL	CALL	PMF5FJ7L	PMF10FJ7L	PMA5FJ7L
1832 - 1833 - 1834 - 1835	24" radome	SM-24-U	SLM-1S-SLAP1	RW4-6	PMA5FJ7LSS	CALL	CALL	PMF5FJ7L	PMF10FJ7L	PMA5FJ7L
DRS4D (NavNet)	24" radome	SM-24-U	SLM-1S	RW4-1	PMA5U7LSS	PMA5U7	PMF5U7	PMF5U7L	PMF10U7L	PMA5U7L
1751 - 1752	2' open-array	CALL	N/A	RW4-3	CALL	PMA5U7	PMF5U7	CALL	CALL	PMA5U7L
NavNet Series open array antennas	3.5' & 4' open-array	CALL	N/A	RW4-3	CALL	CALL	CALL	CALL	CALL	CALL
NavNet Series open array antennas	6' open-array	CALL	N/A	RW4-3	CALL	CALL	CALL	CALL	CALL	CALL
All open array w/ (9.4" x 9.4" pattern)	3.5' - 6' open-array	CALL	N/A	CALL	CALL	CALL	CALL	CALL	CALL	CALL
SC30 / SC60 / SC120	GYRO	SM-24-U	N/A	RW4-1	PMA5U7LSS	PMA5U7	PMF5U7	PMF5U7L	PMF10U7L	PMA5U7L
GEONAV										
GRH-4D	24" radome	SM-24-U	SLM-1S	RW4-6	PMA5U7LSS	CALL	CALL	PMF5U7L	PMF10U7L	PM5U7L
GRH-44	3.5' open-array	CALL	N/A	RW4-5	CALL	CALL	CALL	CALL	CALL	CALL
GRH-45	4.5' open-array	CALL	N/A	RW4-5	CALL	CALL	CALL	CALL	CALL	CALL
GARMIN										
GMR 18 / GMR 18HD	18" radome	SM-18-R	SLM-1S	RW4-2	PMA5G7LSS	CALL	CALL	PMF5G7L	CALL	PMA5G7L
GMR 24 / GMR 24 HD	24" radome	SM-24-R	SLM-1S	RW4-2	PMA5G7LSS	CALL	CALL	PMF5G7L	CALL	PMA5G7L
GMR 404 / GMR604xHD / MGR1204xHD	4' open-array	CALL	N/A	RW4-3	CALL	CALL	CALL	CALL	CALL	CALL
GMR 406 / GMR606xHD / MGR1206xHD	6' open-array	CALL	N/A	RW4-3	CALL	CALL	CALL	CALL	CALL	CALL
JRC										
JMA-5104 / NKE-2042	24" radome	SM-24-U	SLM-1S-SLAP1	RW4-6	PMA5FJ7LSS	CALL	CALL	PMF5FJ7L	PMF10FJ7L	PMA5FJ7L
JMA-5106 / NKE-2062	4' open-array	CALL	N/A	RW4-5	CALL	CALL	CALL	CALL	CALL	CALL
JMA-5110 / NKE-2102	6' open-array	CALL	N/A	RW4-5	CALL	CALL	CALL	CALL	CALL	CALL
LOWRANCE										
BROADBAND BR24	20" radome	SM-18-R	SLM-1S	RW4-2	PMA5R7LSS	PMA5R7	PMF5R7	PMF5R7L	PMF10R7L	PMA5R7L
LRA 1800HD / 1500	18" radome	SM-18-U	SLM-1S	RW4-1	PMA5U7LSS	PMA5U7	PMF5U7	PMF5U7L	PMF10U7L	PMA5U7L
LRA2000	24" dome	SM-24-U	SLM-1S	RW4-1	PMA5U7LSS	PMA5U7	PMF5U7	PMF5U7L	PMF10U7L	PMA5U7L
LRA 2400HD	24" dome	SM-24-U	SLM-1S-SLAP1	RW4-6	PMA5FJ7LSS	CALL	CALL	PMF5FJ7L	PMF10FJ7L	PMA5FJ7L
LRA 4000	4' open-array	CALL	N/A	RW4-5	CALL	CALL	CALL	CALL	CALL	CALL
LRA 5000	6' open-array	CALL	N/A	RW4-5	CALL	CALL	CALL	CALL	CALL	CALL
LORENZ										
2KW	12" & 18" radome	SM-18-U	SLM-1S	RW4-1	PMA5U7LSS	PMA5U7	PMF5U7	PMF5U7L	PMF10U7L	PMA5U7L
4KW	20" radome	SM-24-U	SLM-1S	RW4-1	PMA5U7LSS	PMA5U7	PMF5U7	PMF5U7L	PMF10U7L	PMA5U7L
4' open array	4' open array	CALL	N/A	RW4-5	CALL	CALL	CALL	CALL	CALL	CALL
NORTHSTAR										
BROADBAND BR24	20" radome	SM-18-R	SLM-1S	RW4-2	PMA5R7LSS	PMA5R7	PMF5R7	PMF5R7L	PMF10R7L	PMA5R7L
2KW - RB714A	18" radome	SM-18-U	SLM-1S	RW4-1	PMA5U7LSS	PMA5U7	PMF5U7	PMF5U7L	PMF10U7L	PMA5U7L
4KW 2007+	24" radome	SM-24-U	SLM-1S-SLAP1	RW4-6	PMA5FJ7LSS	CALL	CALL	PMF5FJ7L	PMF10FJ7L	PMA5FJ7L
6KW	4' open-array	CALL	N/A	RW4-3	CALL	CALL	CALL	CALL	CALL	CALL
6KW 2007+	4' open-array	CALL	N/A	RW4-5	CALL	CALL	CALL	CALL	CALL	CALL
KODEN										
2KW - RP714A	18" radome	SM-18-U	SLM-1S	RW4-1	PMA5U7LSS	PMA5U7	PMF5U7	PMF5U7L	PMF10U7L	PMA5R7L
4KW	24" radome	SM-24-U	SLM-1S	RW4-1	PMA5U7LSS	PMA5U7	PMF5U7	PMF5U7L	PMF10U7L	PMA5U7L
6KW	4' open-array	CALL	N/A	RW4-3	CALL	CALL	CALL	CALL	CALL	CALL
6 / 12 / 25KW	6' open-array	CALL	N/A	RW4-3	CALL	CALL	CALL	CALL	CALL	CALL
RAYMARINE										
RD218 / RD418D / RD418HD	18" radome	SM-18-R	SLM-1S	RW4-2	PMA5R7LSS	PMA5R7	PMF5R7	PMF5R7L	PMF10R7L	PMA5R7L
RD424 / RD424D / RD424HD	24" radome	SM-24-R	SLM-1S	RW4-2	PMA5R7LSS	PMA5R7	PMF5R7	PMF5R7L	PMF10R7L	PMA5R7L
5S / 9S RA1048HD / RA1048SHD / RA3048SHD	4' open-array	CALL	N/A	RW4-4	CALL	CALL	CALL	CALL	CALL	CALL
7S / 11S / RA1072HD / RA1072SHD / RA3072SHD	6' open-array	CALL	N/A	RW4-4	CALL	CALL	CALL	CALL	CALL	CALL
SIMRAD										
BROADBAND BR24	20" radome	SM-18-R	SLM-1S	RW4-2	PMA5R7LSS	PMA5R7	PMF5R7	PMF5R7L	PMF10R7L	PMA5R7L
RB714A - DX42S	18" radome	SM-18-U	SLM-1S	RW4-1	PMA5U7LSS	PMA5U7	PMF5U7	PMF5U7L	PMF10U7L	PMA5U7L
DX64S	24" radome	SM-24-U	SLM-1S-SLAP1	RW4-6	PMA5FJ7LSS	CALL	CALL	PMF5FJ7L	PMF10FJ7L	PMA5FJ7L
RA32 / 42 / 43 / 44 / 52 / 53 / 54 / 55	4' open-array	CALL	N/A	RW4-3	CALL	CALL	CALL	CALL	CALL	CALL
RA62-65 / RA83-85 / RA93-95	4' open-array	CALL	N/A	RW4-3	CALL	CALL	CALL	CALL	CALL	CALL
SITEX										
MDS 1	12" radome	SM-18-U	SLM-1S	RW4-1	PMA5U7LSS	PMA5U7	PMF5U7	PMF5U7L	PMF10U7L	PMA5U7L
MDS 8	20" radome	SM-18-U	SLM-1S	RW4-1	PMA5U7LSS	PMA5U7	PMF5U7	PMF5U7L	PMF10U7L	PMA5U7L
MDS 9	24" radome	SM-24-U	SLM-1S	RW4-1	PMA5U7LSS	PMA5U7	PMF5U7	PMF5U7L	PMF10U7L	PMA5U7L
MDS 10	3.5' & 4' open-array	CALL	N/A	CALL	CALL	CALL	CALL	CALL	CALL	CALL
SEIWA										
SWR1	12" radome	SM-18-U	SLM-1S	RW4-1	PMA5U7LSS	PMA5U7	PMF5U7	PMF5U7L	PMF10U7L	PMA5U7L
SWR8	18" radome	SM-18-U	SLM-1S	RW4-1	PMA5U7LSS	PMA5U7	PMF5U7	PMF5U7L	PMF10U7L	PMA5U7L
SWR9	20" radome	SM-24-U	SLM-1S	RW4-1	PMA5U7LSS	PMA5U7	PMF5U7	PMF5U7L	PMF10U7L	PMA5U7L
2KW	12" - 20" radome	SM-18-U	SLM-1S	RW4-1	PMA5U7LSS	PMA5U7	PMF5U7	PMF5U7L	PMF10U7L	PMA5U7L
4KW	23.5" radome	SM-24-U	SLM-1S	RW4-1	PMA5U7LSS	PMA5U7	PMF5U7	PMF5U7L	PMF10U7L	PMA5U7L
4 / 6KW	3' / 4' open-array	CALL	N/A	RW4-3	CALL	CALL	CALL	CALL	CALL	CALL
6 / 12 / 25KW	6' open-array	PLEASE CALL	N/A	RW4-3	CALL	CALL	CALL	CALL	CALL	CALL
TECH MARINE										
T-7.01	12" radome	SM-18-U	SLM-1S	RW4-1	PMA5U7LSS	PMA5U7	PMF5U7	PMF5U7L	PMF10U7L	PMA5U7L
T-72.02 / T-72.04	20" radome	SM-24-U	SLM-1S	RW4-1	PMA5U7LSS	PMA5U7	PMF5U7	PMF5U7L	PMF10U7L	PMA5U7L
T-74.05	3.5' open-array	CALL	N/A	CALL	CALL	CALL	CALL	CALL	CALL	CALL
T-74.06	4.5' open-array	CALL	N/A	CALL	CALL	CALL	CALL	CALL	CALL	CALL



RADAR MOUNTS

AFT LEANING RADAR MOUNT WITH LIGHTBAR OPTION					TAPERED MAST WITH SPREADERS	MODULAR POLE TOP (MODTOPPT & MODTOPPTS REQUIRE MODULAR POLE TOP PLATE)	MODULAR POLE TOP PLATE	SELF LEVELING POLE TOP WITH S.S BASKET	RADAR BRAND AND MODELS
Page 5					Page 9	Page 12	Page 12	Page 12	
6" TALL	10" TALL	16" TALL	24" TALL	36" TALL	30" TALL	**Tube and base ordered seperately**	**Tube and base ordered seperately**	**Tube and base ordered seperately**	
FURUNO									
CALL	PMA10U7L	PMA16U7L	PMA24U8L	PMA36U8L	PMA-100	MODTOPPT, MODTOPPTS	ADARP1	SLP1S	1621 - 1622 - 1623
CALL	PMA10U7L	PMA16U7L	PMA24U8L	PMA36U8L	PMA-100	MODTOPPT, MODTOPPTS	ADARP1	SLP1S	1712 - 1715 - 1823 - 1824
CALL	PMA10U7L	PMA16U7L	PMA24U8L	PMA36U8L	PMA-100	MODTOPPT, MODTOPPTS	ADARP1	SLP1S	DRS2D (NavNet) 1721 / 22 / 23 / 24
CALL	PMA10FJ7L	PMA16FJ7L	PMA24FJ8L	PMA36FJ8L	PMA-100	MODTOPPT, MODTOPPTS	ADARP2	SLP1S+SLAP1	1732 - 1733 - 1734
CALL	PMA10FJ7L	PMA16FJ7L	PMA24FJ8L	PMA36FJ8L	PMA-100	MODTOPPT, MODTOPPTS	ADARP2	SLP1S+SLAP1	1832 - 1833 - 1834 - 1835
CALL	PMA10U7L	PMA16U7L	PMA24U8L	PMA36U8L	PMA-100	MODTOPPT, MODTOPPTS	ADARP1	SLP1S	DRS4D (NavNet)
CALL	PMA10U7L	PMA16U7L	CALL	CALL	PMA-100	MODTOPPT, MODTOPPTS	ADARP1	SLP1S	1751 - 1752
PMA6FO8L	CALL	CALL	CALL	CALL	PMA-200	MODTOPPT	CALL	N/A	NavNet Series open array antennas
PMA6FO8L	CALL	CALL	CALL	CALL	CALL	MODTOPPT	CALL	N/A	NavNet Series open array antennas
CALL	CALL	CALL	CALL	CALL	CALL	MODTOPPT	CALL	N/A	All open array w/ (9.4" x 9.4" pattern)
CALL	PMA10U7L	PMA16U7L	PMA24U8L	PMA36U8L	PMA-100	MODTOPPT	CALL	N/A	SC30 / SC60 / SC120
GEONAV									
CALL	PMA10U7L	PMA16U7L	PMA24U8L	PMA36U8L	PMA-100	MODTOPPT, MODTOPPTS	ADARP1	SLP1S	GRH-4D
PMA6JO8L	CALL	CALL	CALL	CALL	PMA-200	MODTOPPT	CALL	N/A	GRH-44
PMA6JO8L	CALL	CALL	CALL	CALL	CALL	MODTOPPT	CALL	N/A	GRH-45
GARMIN									
CALL	PMA10G7L	PMA16G7L	PMA24G8L	PMA36G8L	PMA-100	MODTOPPT, MODTOPPTS	ADARP1	SLP1S	GMR 18 / GMR 18HD
CALL	PMA10G7L	PMA16G7L	PMA24G8L	PMA36G8L	PMA-100	MODTOPPT, MODTOPPTS	ADARP1	SLP1S	GMR 24 / GMR 24 HD
PMA6GO8L	CALL	CALL	CALL	CALL	PMA-200	MODTOPPT	ADARP3	N/A	GMR 404 / GMR604xHD / MGR1204xHD
PMA6GO8L	CALL	CALL	CALL	CALL	CALL	CALL	CALL	N/A	GMR 406 / GMR606xHD / MGR1206xHD
JRC									
CALL	PMA10FJ7L	PMA16FJ7L	PMA24FJ8L	PMA36FJ8L	PMA-100	MODTOPPT, MODTOPPTS	ADARP2	SLP1S+SLAP1	JMA-5104 / NKE-2042
PMA6JO8L	CALL	CALL	CALL	CALL	PMA-200	MODTOPPT	CALL	N/A	JMA-5106 / NKE-2062
PMA6JO8L	CALL	CALL	CALL	CALL	PMA-200	CALL	CALL	N/A	JMA-5110 / NKE-2102
LOWRANCE									
CALL	PMA10R7L	PMA16R7L	PMA24R8L	PMA36R8L	PMA-100	MODTOPPT, MODTOPPTS	ADARP1	SLP1S	BROADBAND BR24
CALL	PMA10U7L	PMA16U7L	PMA24U8L	PMA36U8L	PMA-100	MODTOPPT, MODTOPPTS	ADARP1	SLP1S	LRA 1800HD / 1500
CALL	PMA10U7L	PMA16U7L	PMA24U8L	PMA36U8L	PMA-100	MODTOPPT, MODTOPPTS	ADARP1	SLP1S	LRA2000
CALL	PMA10FJ7L	PMA16FJ7L	PMA24FJ8L	PMA36FJ8L	PMA-100	MODTOPPT, MODTOPPTS	ADARP2	SLP1S+SLAP1	LRA 2400HD
PMA6JO8L	CALL	CALL	CALL	CALL	PMA-200	MODTOPPT	ADARP3	N/A	LRA 4000
PMA6JO8L	CALL	CALL	CALL	CALL	CALL	CALL	CALL	N/A	LRA 5000
LORENZ									
CALL	PMA10U7L	PMA16U7L	PMA24U8L	PMA36U8L	PMA-100	MODTOPPT, MODTOPPTS	ADARP1	SLP1S	2KW
CALL	PMA10U7L	PMA16U7L	PMA24U8L	PMA36U8L	PMA-100	MODTOPPT, MODTOPPTS	ADARP1	SLP1S	4KW
PMA6JO8L	CALL	CALL	CALL	CALL	PMA-200	MODTOPPT	CALL	N/A	4' open array
NORTHSTAR									
CALL	PMA10R7L	PMA16R7L	PMA24R8L	PMA36R8L	PMA-100	MODTOPPT, MODTOPPTS	ADARP1	SLP1S	BROADBAND BR24
CALL	PMA10U7L	PMA16U7L	PMA24U8L	PMA36U8L	PMA-100	MODTOPPT, MODTOPPTS	ADARP1	SLP1S	2KW - RB714A
CALL	PMA10FJ7L	PMA16FJ7L	PMA24FJ8L	PMA36FJ8L	PMA-100	MODTOPPT, MODTOPPTS	ADARP2	SLP1S+SLAP1	4KW 2007+
PMA6FO8L	CALL	CALL	CALL	CALL	PMA-200	MODTOPPT	ADARP3	N/A	6KW
PMA6JO8L	CALL	CALL	CALL	CALL	PMA-200	MODTOPPT	CALL	N/A	6KW 2007+
KODEN									
CALL	PMA10U7L	PMA16U7L	PMA24U8L	PMA36U8L	PMA-100	MODTOPPT, MODTOPPTS	ADARP1	SLP1S	2KW - RP714A
CALL	PMA10U7L	PMA16U7L	PMA24U8L	PMA36U8L	PMA-100	MODTOPPT, MODTOPPTS	ADARP1	SLP1S	4KW
PMA6FO8L	CALL	CALL	CALL	CALL	PMA-200	MODTOPPT	ADARP3	N/A	6KW
PMA6FO8L	CALL	CALL	CALL	CALL	CALL	CALL	ADARP3	N/A	6 / 12 / 25KW
RAYMARINE									
CALL	PMA10R7L	PMA16R7L	PMA24R8L	PMA36R8L	PMA-100	MODTOPPT, MODTOPPTS	ADARP1	SLP1S	RD218 / RD418D / RD418HD
CALL	PMA10R7L	PMA16R7L	PMA24R8L	PMA36R8L	PMA-100	MODTOPPT, MODTOPPTS	ADARP1	SLP1S	RD424 / RD424D / RD424HD
PMA6RO8L	CALL	CALL	CALL	CALL	PMA-200	MODTOPPT	ADARP3	N/A	5S / 9S RA1048HD / RA1048SHD / RA3048SHD
PMA6RO8L	CALL	CALL	CALL	CALL	CALL	CALL	CALL	N/A	7S / 11S / RA1072HD / RA1072SHD / RA3072SHD
SIMRAD									
CALL	PMA10R7L	PMA16R7L	PMA24R8L	PMA36R8L	PMA-100	MODTOPPT, MODTOPPTS	ADARP1	SLP1S	BROADBAND BR24
CALL	PMA10U7L	PMA16U7L	PMA24U8L	PMA36U8L	PMA-100	MODTOPPT, MODTOPPTS	ADARP1	SLP1S	RB714A - DX42S
CALL	PMA10FJ7L	PMA16FJ7L	PMA24FJ8L	PMA36FJ8L	PMA-100	MODTOPPT, MODTOPPTS	ADARP2	SLP1S+SLAP1	DX64S
PMA6JO8L	CALL	CALL	CALL	CALL	PMA-200	MODTOPPT	CALL	N/A	RA32 / 42 / 43 / 44 / 52 / 53 / 54 / 55
PMA6JO8L	CALL	CALL	CALL	CALL	PMA-200	MODTOPPT	CALL	N/A	RA62-65 / RA83-85 / RA93-95
SITEX									
CALL	PMA10U7L	PMA16U7L	PMA24U8L	PMA36U8L	PMA-100	MODTOPPT, MODTOPPTS	ADARP1	SLP1S	MDS 1
CALL	PMA10U7L	PMA16U7L	PMA24U8L	PMA36U8L	PMA-100	MODTOPPT, MODTOPPTS	ADARP1	SLP1S	MDS 8
CALL	PMA10U7L	PMA16U7L	PMA24U8L	PMA36U8L	PMA-100	MODTOPPT, MODTOPPTS	ADARP1	SLP1S	MDS 9
PMA6JO8L	CALL	CALL	CALL	CALL	CALL	MODTOPPT	CALL	N/A	MDS 10
SEIWA									
CALL	PMA10U7L	PMA16U7L	PMA24U8L	PMA36U8L	PMA-100	MODTOPPT, MODTOPPTS	ADARP1	SLP1S	SWR1
CALL	PMA10U7L	PMA16U7L	PMA24U8L	PMA36U8L	PMA-100	MODTOPPT, MODTOPPTS	ADARP1	SLP1S	SWR8
CALL	PMA10U7L	PMA16U7L	PMA24U8L	PMA36U8L	PMA-100	MODTOPPT, MODTOPPTS	ADARP1	SLP1S	SWR9
CALL	PMA10U7L	PMA16U7L	PMA24U8L	PMA36U8L	PMA-100	MODTOPPT, MODTOPPTS	ADARP1	SLP1S	2KW
CALL	PMA10U7L	PMA16U7L	PMA24U8L	PMA36U8L	PMA-100	MODTOPPT, MODTOPPTS	ADARP1	SLP1S	4KW
PMA6FO8L	CALL	CALL	CALL	CALL	PMA-200	MODTOPPT	ADARP3	N/A	4 / 6KW
PMA6FO8L	CALL	CALL	CALL	CALL	CALL	CALL	CALL	N/A	6 / 12 / 25KW
TECH MARINE									
CALL	PMA10U7L	PMA16U7L	PMA24U8L	PMA36U8L	PMA-100	MODTOPPT, MODTOPPTS	ADARP1	SLP1S	T-7.01
CALL	PMA10U7L	PMA16U7L	PMA24U8L	PMA36U8L	PMA-100	MODTOPPT, MODTOPPTS	ADARP1	SLP1S	T-72.02 / T-72.04
PMA6JO8L	CALL	CALL	CALL	CALL	PMA-200	MODTOPPT	CALL	N/A	T-74.05
PMA6JO8L	CALL	CALL	CALL	CALL	PMA-200	MODTOPPT	CALL	N/A	T-74.06



SATDOME MOUNTS

SATDOMES BRAND AND MODELS	DOMES DIAMETER	MAST PLATFORM	AFT LEANING SATDOME MOUNT			3" LOW PROFILE PLASTIC MOUNT	5" VERTICAL ALUMINUM MOUNT
			Page 10			Page 10	Page 10
			5"	10" - 12"	16" - 18"	3" - 4"	5"
FURUNO							
FLEET 33/ FELCOM 30	15"	SM-10A + SVTTADAPT	PMA-5-7A + SVTTADAPT	PMA-12-7A + SVTTADAPT	CALL	AMA-10 + SVTTADAPT	AM-M3 + ADAM32
FLEET 55/ FELCOM 50	24"	CALL	PMA-5-GFX8	PMA-12-10M + ADAM31	PMA-18-10M + ADAM31	AMA-GXF	AM-M3 + ADAM31
FLEET 77/ FELCOM 70	49"	CALL	CALL	CALL	CALL	CALL	Call for custom
GEONAV & EPAK							
TV44/ 46	20"	SM-18A	CALL	PMA-12-10B + ADAM51	PMA-18-10B + ADAM51	AMA-18 + ADAM51	AM-M5 + ADAM51
TV59	27"	SM-24A	CALL	PMA-12-10B + ADAM51	PMA-18-10B + ADAM51	AMA-18 + ADAM51	AM-M5 + ADAM51
SC60/ TV61	29"	CALL	CALL	PMA-12-10B + ADAM51	PMA-18-10B + ADAM51	AMA-18 + ADAM51	AM-M5 + ADAM51
SC90/ TV90	44"	CALL	CALL	CALL	CALL	AMA-32 + ADAM51	AM-M5 + ADAM51
GLOMEX							
V9100/ V9160	20"	SM-24A	PMA-5-GFX8	PMA-12-10M + ADAM31	PMA-18-10M + ADAM31	AMA-GXF	AM-M3 + ADAM31
V9600	27"	SM-24A	PMA-5-GFX8	PMA-12-10M + ADAM31	PMA-18-10M + ADAM31	AMA-GXF	AM-M3 + ADAM31
V9630	27"	SM-24A	PMA-5-GFX8	PMA-12-10M + ADAM31	PMA-18-10M + ADAM31	AMA-GXF	AM-M3 + ADAM31
V9800	27"	SM-24A	PMA-5-GFX8	PMA-12-10M + ADAM31	PMA-18-10M + ADAM31	AMA-GXF	AM-M3 + ADAM31
INTELLIAN							
I1/ I2	13"	SM-18U	PMA-5-GFX8	PMA-12-10M + ADAM31	PMA-18-10M + ADAM31	AMA-GXF	AM-M3 + ADAM31
I3	14.5"	SM-18A	PMA-5-M8	PMA-12-10M	PMA-18-10M	AMA-16	AM-M3
FB150/ FB250	10.6 - 14"	SM-10A + SVTTADAPT	PMA5-7A + SVTTADAPT	PMA-12-7A + SVTTADAPT	CALL	AMA-10 + SVTTADAPT	CALL
I4/ K4/ D4	18"	SM-18A	CALL	PMA-12-10B	PMA-18-10B	AMA-18	AM-M5
I6/ K6/ D6/ S60/ FB500	23.5"	SM-24A	CALL	PMA-12-10D	PMA-18-10D	AMA-24	AM-M7
I9/ K9/ S85	33"	CALL	CALL	CALL	CALL	AMA-32	CALL
JRC							
JUE 250/ JUE 33	14"	SM-10A + SVTTADAPT	PMA-5-7A + SVTTADAPT	PMA-12-7A + SVTTADAPT	CALL	AMA-10 + SVTTADAPT	AM-M3 + ADAM32
JUE 500	24"	SM-24A	PMA-5GFX8	PMA-12-10M + ADAM31	PMA-18-10M + ADAM31	AMA-GXF	AM-M3 + ADAM31
KVH							
Tracphone 252/ Tracnet	10"	SM-10A	PMA-5-7A	PMA-12-7A	CALL	AMA-10	CALL
FLEET 33/ FB150/ FB250	10.6 - 14"	SM-10A + SVTTADAPT	PMA5-7A + SVTTADAPT	PMA-12-7A + SVTTADAPT	CALL	AMA-10 + SVTTADAPT	CALL
M1	13.5"	SM-18U	PMA-5U-7L	PMA-10U-7L	PMA-16U-7L	AMA-GXF	AM-M3 + ADAM31
M2/ M3	15.5"	SM-18A	PMA-5-M8	PMA-12-10M	PMA-18-10M	AMA-16	AM-M3
M5/ G4/ FB250/ TRAC 50	18"	SM-18A	CALL	PMA-12-10B	PMA-18-10B	AMA-18	AM-M5
M7/ G6/ F55/ FB500/ V7/ HD7	24"	SM-24A	CALL	PMA-12-10D	PMA-18-10D	AMA-24	AM-M7
M9/ F77/ FB500/ V7	35"	CALL	CALL	CALL	CALL	AMA-32	CALL
RAYMARINE							
33STV	14"	SM-18U	PMA-5-GFX8	PMA-12-10M + ADAM31	PMA-18-10M + ADAM31	AMA-GXF	AM-M3 + ADAM31
37STV	16"	SM-18A	PMA-5-M8	PMA-12-10M	PMA-18-10M	AMA-16	AM-M3
45STV	20"	SM-18A	CALL	PMA-12-10B	PMA-18-10B	AMA-18	AM-M5
60STV	27.5"	SM-24A	CALL	PMA-12-10D	PMA-18-10D	AMA-24	AM-M7
SEA KING							
9815RJ/ 1500HD/ 1200KU	16"	SM-18A	PMA-5-M8	PMA-12-10M	PMA-18-10M	AMA-16	AM-M3 + ADAM31
9818RJ/ 1800HD	20"	SM-18A	CALL	PMA-12-10B	PMA-18-10B	AMA-18	AM-M3
9762LP/ 9762SW	28"	CALL	CALL	CALL	CALL	CALL	CALL
VuQube-1000-2000-3000-4000	16" (SQUARE)	CALL	CALL	CALL	CALL	CALL	CALL
SEA TEL / COBHAM							
ST 14	16.5"	SM-18A	PMA-5-M8	PMA-12-10M	PMA-18-10M	AMA-16	AM-M3
C18	20"	SM-18A	CALL	PMA-12-10B	PMA-18-10B	AMA-18	AM-M5
C24 / USAT 24	27"	CALL	CALL	PMA-12-10B	PMA-18-10B	AMA-18	AM-M5
C30 / 3004 / USAT 30	37.7"	CALL	CALL	CALL	CALL	AMA-32	CALL
DTV04 HD	50"	CALL	CALL	CALL	CALL	AMA-32	CALL
THRANE SAILOR							
FB150/ FB250/ Fleet 33	10.8" - 14"	SM-10A + SVTTADAPT	PMA5-7A + SVTTADAPT	PMA-12-7A + SVTTADAPT	Call for custom	AMA-10 + SVTTADAPT	AM-M3 + ADAM32
Fleet 33+	16"	SM-10A	PMA-5-7A	PMA-12-7A	Call for custom	AMA-10 + SVTTADAPT	AM-M3 + ADAM32
SAILOR FB 500/ Fleet 55+	24"	SM-24A	PMA-5-GFX8	PMA-12-10M + ADAM31	PMA-18-10M + ADAM31	AMA-GXF	AM-M3 + ADAM31
Fleet 55/ Fleet 77	15" - 32"	CALL	CALL	CALL	CALL	CALL	CALL
SAILOR Fleet 77+	36"	CALL	CALL	CALL	CALL	CALL	CALL
VDO							
OCEAN LINE 132	13"	SM-18U	PMA-5-GFX8	PMA-12-10M + ADAM31	PMA-18-10M + ADAM31	AMA-GXF	AM-M3 + ADAM31
OCEAN LINE 337	15"	SM-18A + ADAM34	CALL	PMA-12-10M + ADAM34	PMA-18-10M + ADAM34	AMA-VD1	AM-M3 + ADAM34
OCEAN LINE 345/ 445	18"	SM-24A-VD2	CALL	PMA-12-10-VD2	PMA-18-10-VD2	AMA-VD2	AM-M7-VD2
OCEAN LINE 360/ 460	24"	SM-24A-VD2	CALL	PMA-12-10-VD2	PMA-18-10-VD2	AMA-VD2	AM-M7-VD2
FREEWAY 1S	Call for custom	CALL	CALL	CALL	CALL	CALL	CALL

SEARCH LIGHTS & CAMERA MOUNTS

SEARCHLIGHTS OR CAMERAS BRAND AND MODELS	TYPE	5" VERTICAL MOUNT	AFT LEANING SATDOME MOUNT			MAST PLATFORM	
			Page 10				Page 11
			5"	12"	18"		
RAYMARINE							
T-SERIES	CAMERA	PM5FN8 + SVFMADAPT2	PMA57A + SVFMADAPT1	PMA127A + SVFMADAPT1	CALL	SM-10A + SVFMADAPT1	
FLIR							
M-SERIES	CAMERA	PM5FN8 + SVFMADAPT2	PMA57A + SVFMADAPT1	PMA127A + SVFMADAPT1	CALL	SM-10A + SVFMADAPT1	
NAVIGATOR II	CAMERA	PM5FN8	PMA57A + SLADAPT2	PMA127A + SLADAPT2	CALL	SM-10A + SLADAPT2	
SEA FLIR / VOYAGER II	CAMERA	CALL	CALL	CALL	CALL	CALL	
NVTI							
NV1010 / NV1018 / NV1020	CAMERA	PM5SSL8	PMA57A + SLADAPT2	PMA127A + SLADAPT2	CALL	SM-10A + SLADAPT2	
NV-3500-8000	CAMERA	CALL	CALL	CALL	CALL	CALL	
VEI							
APOLLO II/ APOLLO II HD	CAMERA	PM5SSL8	PMA57A + SLADAPT2	PMA127A + SLADAPT2	CALL	SM-10A + SLADAPT2	
TRITON / ATLAS / POSEIDON / ZEUS	CAMERA	CALL	CALL	CALL	CALL	CALL	
ACR							
RCL50 / 100	SEARCH LIGHT	PM5SSL8	PMA57A + SLADAPT2	PMA127A + SLADAPT2	CALL	SM-10A + SLADAPT2	
RCL75	SEARCH LIGHT	CALL	PMA57A + SLADAPT2	PMA127A + SLADAPT2	CALL	SM-10A + SLADAPT2	
RCL300	SEARCH LIGHT	CALL	CALL	CALL	CALL	CALL	
RCL600	SEARCH LIGHT	CALL	CALL	CALL	CALL	CALL	
GO LIGHT							
ALL MODELS	SEARCH LIGHT	PM5SSL8	PMA57A + SLADAPT2	PMA127A + SLADAPT2	CALL	SM-10A + SLADAPT2	
JABSCO							
All models up to and including 255LRC	SEARCH LIGHT	CALL	PMA57A + SLADAPT2	PMA127A + SLADAPT2	CALL	CALL	

SATDOME MOUNTS

DUAL MOUNTS (WITH CLOSED DOME RADAR)		DUAL MOUNTS (WITH OPEN ARRAY RADAR)		MODULAR POLE TOP (REQUIRES MOD PLATE)	MODULAR POLE TOP (FOR MODTOPPT/PMDTOPPTSP)	SATDOMES BRAND AND MODELS
Page 6 & 7		Page 6 & 7		Page 12	Page 12	
DM1 STYLE	DM3 STYLE	DM2 STYLE	DM4 STYLE	**Tube and base ordered seperately**		
						FURUNO
PMA-DM1-M3 + ADAM32	PMA-DM3-M3 + ADAM32	PMA-DM2-M3 + ADAM32	PMA-DM4-M3 + ADAM32	MODTOPPT, PMDTOPPTSP	ADA15 + ADAM32	FLEET 33/ FELCOM 30
PMA-DM1-M3 + ADAM31	PMA-DM3-M3 + ADAM31	PMA-DM2-M3 + ADAM31	PMA-DM4-M3 + ADAM31	MODTOPPT, PMDTOPPTSP	ADA15 + ADAM31	FLEET 55/ FELCOM 50
CALL	CALL	CALL	CALL	CALL	CALL	FLEET 77/ FELCOM 70
						GEONAV & EPAK
PMA-DM1 + ADAM51	PMA-DM-3 + ADAM51	PMA-DM2 + ADAM51	PMA-DM4 + ADAM51	MODTOPPT, PMDTOPPTSP	ADA18 + ADAM51	TV44/ 46
PMA-DM1 + ADAM51	PMA-DM-3 + ADAM51	PMA-DM2 + ADAM51	PMA-DM4 + ADAM51	MODTOPPT, PMDTOPPTSP	ADA18 + ADAM51	TV59
PMA-DM1 + ADAM51	CALL	PMA-DM2 + ADAM51	CALL	MODTOPPT, PMDTOPPTSP	ADA18 + ADAM51	SC60/ TV61
CALL	CALL	CALL	CALL	CALL	CALL	SC90/ TV90
						GLOMEX
PMA-DM1-M3 + ADAM31	PMA-DM3-M3 + ADAM31	PMA-DM2-M3 + ADAM31	PMA-DM4-M3 + ADAM31	MODTOPPT, PMDTOPPTSP	ADA15 + ADAM31	V9100/ V9160
PMA-DM1-M3 + ADAM31	CALL	PMA-DM2-M3 + ADAM31	CALL	MODTOPPT, PMDTOPPTSP	ADA15 + ADAM31	V9600
PMA-DM1-M3 + ADAM31	CALL	PMA-DM2-M3 + ADAM31	CALL	MODTOPPT, PMDTOPPTSP	ADA15 + ADAM31	V9630
PMA-DM1-M3 + ADAM31	CALL	PMA-DM2-M3 + ADAM31	CALL	MODTOPPT, PMDTOPPTSP	ADA15 + ADAM31	V9800
						INTELLIAN
PMA-DM1-M3 + ADAM31	PMA-DM3-M3 + ADAM31	PMA-DM2-M3 + ADAM31	PMA-DM4-M3 + ADAM31	MODTOPPT, PMDTOPPTSP	ADARP1	I1/ I2
PMA-DM1-M3	PMA-DM3-M3	PMA-DM2-M3	PMA-DM4-M3	MODTOPPT, PMDTOPPTSP	ADA15	I3
PMA-DM1-M3 + ADAM32	PMA-DM3-M3 + ADAM32	PMA-DM2-M3 + ADAM32	PMA-DM4-M3 + ADAM32	MODTOPPT, PMDTOPPTSP	ADA15 + ADAM32	FB150/ FB250
PMA-DM1	PMA-DM3	PMA-DM2	PMA-DM4	MODTOPPT, PMDTOPPTSP	ADA18	I4/ K4/ D4
PMA-DM1-M7	CALL	PMA-DM2-M7	CALL	MODTOPPT, PMDTOPPTSP	ADA24	I6/ K6/ D6/ S60/ FB500
CALL	CALL	CALL	CALL	CALL	CALL	I9/ K9/ S85
						JRC
PMA-DM1-M3 + ADAM32	PMA-DM3-M3 + ADAM32	PMA-DM2-M3 + ADAM32	PMA-DM4-M3 + ADAM32	MODTOPPT, PMDTOPPTSP	ADA15 + ADAM32	JUE 250/ JUE 33
PMA-DM1-M3 + ADAM31	PMA-DM3-M3 + ADAM31	PMA-DM2-M3 + ADAM31	PMA-DM4-M3 + ADAM31	MODTOPPT, PMDTOPPTSP	ADA15 + ADAM31	JUE 500
						KVH
PMA-DM1-BLANK	PMA-DM3-BLANK	PMA-DM2-BLANK	PMA-DM4-BLANK	MODTOPPT, PMDTOPPTSP	ADA15 + ADAM32	Tracphone 252/ Tracnet
PMA-DM1-M3 + ADAM32	PMA-DM3-M3 + ADAM32	PMA-DM2-M3 + ADAM32	PMA-DM4-M3 + ADAM32	MODTOPPT, PMDTOPPTSP	ADA15 + ADAM32	FLEET 33/ FB150/ FB250
PMA-DM1-M3 + ADAM31	PMA-DM3-M3 + ADAM31	PMA-DM2-M3 + ADAM31	PMA-DM4-M3 + ADAM31	MODTOPPT, PMDTOPPTSP	ADARP1	M1
PMA-DM1-M3	PMA-DM3-M3	PMA-DM2-M3	PMA-DM4-M3	MODTOPPT, PMDTOPPTSP	ADA15	M2/ M3
PMA-DM1	PMA-DM3	PMA-DM2	PMA-DM4	MODTOPPT, PMDTOPPTSP	ADA18	M5/ G4/ FB250/ TRAC 50
PMA-DM1-M7	CALL	PMA-DM2-M7	CALL	MODTOPPT, PMDTOPPTSP	ADA24	M7/ G6/ F55/ FB500/ V7/ HD7
CALL	CALL	CALL	CALL	CALL	CALL	M9/ F77/ FB500/ V7
						RAYMARINE
PMA-DM1-M3 + ADAM31	PMA-DM3-M3 + ADAM31	PMA-DM2-M3 + ADAM31	PMA-DM4-M3 + ADAM31	MODTOPPT, PMDTOPPTSP	ADA15 + ADAM31	33STV
PMA-DM1-M3	PMA-DM3-M3	PMA-DM2-M3	PMA-DM4-M3	MODTOPPT, PMDTOPPTSP	ADA15	37STV
PMA-DM1	PMA-DM3	PMA-DM2	PMA-DM4	MODTOPPT, PMDTOPPTSP	ADA18	45STV
PMA-DM1-M7	CALL	PMA-DM2-M7	CALL	MODTOPPT, PMDTOPPTSP	ADA24	60STV
						SEA KING
PMA-DM1-M3	PMA-DM3-M3	PMA-DM2-M3	PMA-DM4-M3	MODTOPPT, PMDTOPPTSP	ADA15	9815RJ/ 1500HD/ 1200KU
PMA-DM1	PMA-DM3	PMA-DM2	PMA-DM4	MODTOPPT, PMDTOPPTSP	ADA18	9818RJ/ 1800HD
CALL	CALL	CALL	CALL	CALL	CALL	9762LP/ 9762SW
CALL	CALL	CALL	CALL	CALL	CALL	VuQube-1000-2000-3000-4000
						SEA TEL / COBHAM
PMA-DM1-M3	PMA-DM3-M3	PMA-DM2-M3	PMA-DM4-M3	MODTOPPT, PMDTOPPTSP	ADA15	ST 14
PMA-DM1	PMA-DM3	PMA-DM2	PMA-DM4	MODTOPPT, PMDTOPPTSP	ADA18	C18
PMA-DM1	PMA-DM3	PMA-DM2	PMA-DM4	MODTOPPT, PMDTOPPTSP	ADA18	C24 / USAT 24
CALL	CALL	CALL	CALL	CALL	CALL	C30 / 3004 / USAT 30
CALL	CALL	CALL	CALL	CALL	CALL	DTV04 HD
						THRANE SAILOR
PMA-DM1-M3 + ADAM32	PMA-DM3-M3 + ADAM32	PMA-DM2-M3 + ADAM32	PMA-DM4-M3 + ADAM32	MODTOPPT, PMDTOPPTSP	ADA15 + ADAM32	FB150/ FB250/ Fleet 33
PMA-DM1-M3 + ADAM32	PMA-DM3-M3 + ADAM32	PMA-DM2-M3 + ADAM32	PMA-DM4-M3 + ADAM32	MODTOPPT, PMDTOPPTSP	ADA15 + ADAM32	Fleet 33+
PMA-DM1-M3 + ADAM31	PMA-DM3-M3 + ADAM31	PMA-DM2-M3 + ADAM31	PMA-DM4-M3 + ADAM31	MODTOPPT, PMDTOPPTSP	ADA15 + ADAM31	SAILOR FB 500/ Fleet 55+
CALL	CALL	CALL	CALL	CALL	CALL	Fleet 55/ Fleet 77
CALL	CALL	CALL	CALL	CALL	CALL	SAILOR Fleet 77+
						VDO
PMA-DM1-M3 + ADAM31	PMA-DM3-M3 + ADAM31	PMA-DM2-M3 + ADAM31	PMA-DM4-M3 + ADAM31	MODTOPPT, PMDTOPPTSP	ADA15 + ADAM31	OCEAN LINE 132
PMA-DM1-M3 + ADAM34	PMA-DM3-M3 + ADAM34	PMA-DM2-M3 + ADAM34	PMA-DM4-M3 + ADAM34	MODTOPPT, PMDTOPPTSP	ADA15 + ADAM34	OCEAN LINE 337
PMA-DM1-VD2	PMA-DM3-VD2	PMA-DM2-VD2	PMA-DM4-VD2	MODTOPPT, PMDTOPPTSP	ADAVD1	OCEAN LINE 345/ 445
PMA-DM1-VD2	PMA-DM3-VD2	PMA-DM2-VD2	PMA-DM4-VD2	MODTOPPT, PMDTOPPTSP	ADAVD2	OCEAN LINE 360/ 460
CALL	CALL	CALL	CALL	CALL	CALL	FREWAY 1S

SEARCH LIGHTS & CAMERA MOUNTS

DUAL MOUNTS (WITH CLOSED DOME RADAR)		DUAL MOUNTS (WITH OPEN ARRAY RADAR)		SEARCHLIGHTS OR CAMERAS BRAND AND MODELS
Page 6 & 7		Page 6 & 7		
DM1 STYLE	DM3 STYLE	DM2 STYLE	DM4 STYLE	
				RAYMARINE
PMADM1FNM + ADAFNM2	PMADM3FNM + ADAFNM2	PMADM2FNM + ADAFNM2	PMADM4FNM + ADAFNM2	T-SERIES
				FLIR
PMADM1FNM + ADAFNM2	PMADM3FNM + ADAFNM2	PMADM2FNM + ADAFNM2	PMADM4FNM + ADAFNM2	M-SERIES
PMADM1FNM	PMADM3FNM	PMADM2FNM	PMADM4FNM	NAVIGATOR II
CALL	CALL	CALL	CALL	SEA FLIR / VOYAGER II
				NVTI
PMA-DM1-BLANK	PMA-DM3-BLANK	PMA-DM2-BLANK	PMA-DM4-BLANK	NV1010 / NV1018 / NV1020
PMA-DM1-BLANK	PMA-DM3-BLANK	PMA-DM2-BLANK	PMA-DM4-BLANK	NV-3500-8000
				VEI
PMA-DM1-BLANK	PMA-DM3-BLANK	PMA-DM2-BLANK	PMA-DM4-BLANK	APOLLO II/ APOLLO II HD
PMA-DM1-BLANK	PMA-DM3-BLANK	PMA-DM2-BLANK	PMA-DM4-BLANK	TRITON / ATLAS / POSEIDON / ZEUS
				ACR
PMA-DM1-BLANK	PMA-DM3-BLANK	PMA-DM2-BLANK	PMA-DM4-BLANK	RCL50 / 100
PMA-DM1-BLANK	PMA-DM3-BLANK	PMA-DM2-BLANK	PMA-DM4-BLANK	RCL75
PMA-DM1-BLANK	PMA-DM3-BLANK	PMA-DM2-BLANK	PMA-DM4-BLANK	RCL300
CALL	CALL	CALL	CALL	RCL600
				GO LIGHT
PMA-DM1-BLANK	PMA-DM3-BLANK	PMA-DM2-BLANK	PMA-DM4-BLANK	ALL MODELS
				JABSCO
PMA-DM1-BLANK	PMA-DM3-BLANK	PMA-DM2-BLANK	PMA-DM4-BLANK	All models up to and including 255LRC



Seaview Pod Reference Guide for 2011 Display Models

Useable Face Dimensions	Uncut Pod Box	Seaview Deck Pod Part # (BLACK BASE)	Seaview Deck Pod Part # (WHITE BASE)	Sail Pod **Pre-Cut must be specified (Extra cut Charge)
UNCUT				
9" X 8.5" Useable Face	1	POD-1-UC	PODW-1-UC	POD-2S**
11.5" x 8.5" Useable Face	2	POD-2-UC	PODW-2-UC	POD-2S**
14" X 9.5" Useable Face	3	POD-3-UC	PODW-3-UC	POD-2S**
15.75" x 11.5" Useable Face	4	POD-4-UC	PODW-4-UC	POD-1S**
17" x 14" Useable Face	5	POD-5-UC	PODW-5-UC	CALL

Display Model	Pre-Cut Pod Box	Seaview Deck Pod Part # (BLACK BASE)	Seaview Deck Pod Part # (WHITE BASE)	Sail Pod **Pre-Cut must be specified (Extra cut Charge)
FURUNO				
MFD8	3	POD-3-FMFD8	PODW-3-FMFD8	POD-2S**
MFD12 / DCU12	4	POD-4-FMD12	PODW-4-FMD12	POD-1S**
1623	1	POD-1-F1623	PODW-1-F1623	POD-2S**
1715	1	POD-1-F1715	PODW-1-F1715	POD-2S**
1724C / 1734C / GP1720C	1	POD-1-F1724	PODW-1-F1724	POD-2S**
1824C / 1834C	3	POD-3-F1824	PODW-3-F1824	POD-2S**
1934C / 1944C / 1954C / 1964C / GP1920C	3	POD-3-F1824	PODW-3-F1824	POD-2S**
GP150(D)	2	POD-2-F150	PODW-2-F150	POD-2S**
GP165W(F)	1	POD-1-F1650	PODW-1-F1650	POD-2S**
GP1850W(F) / GP7000(F)	2	POD-2-F1850	PODW-2-F1850	POD-2S**
MU-120C	4	POD-4-FMU120	PODW-4-FMU120	POD-1S**

Display Model	Pre-Cut Pod Box	Seaview Deck Pod Part # (BLACK BASE)	Seaview Deck Pod Part # (WHITE BASE)	Sail Pod **Pre-Cut must be specified (Extra cut Charge)
GARMIN				
4008 / 4208	2	POD-2-G4008	PODW-2-G4008	POD-2S**
4010 / 4210	3	POD-3-G4010	PODW-3-G4010	POD-2S**
4012 / 4212	4	POD-4-G4012	PODW-4-G4012	POD-1S**
5008 5208	2	POD-2-G5008	PODW-2-G5008	POD-2S**
5012 / 5212	4	POD-4-G5012	PODW-4-G5012	POD-1S**
5015 / 5215	4	POD-4-G5015	PODW-4-G5015	POD-1S**
6008 / 6208	2	POD-2-G6008	PODW-2-G6008	POD-2S**
6012 / 6212	4	POD-4-G6012	PODW-4-G6012	POD-1S**
7012 / 7212	4	POD-4-G7012	PODW-4-G7012	POD-1S**
7015 / 7215	5	POD-5-G7015	PODW-5-G7015	CALL

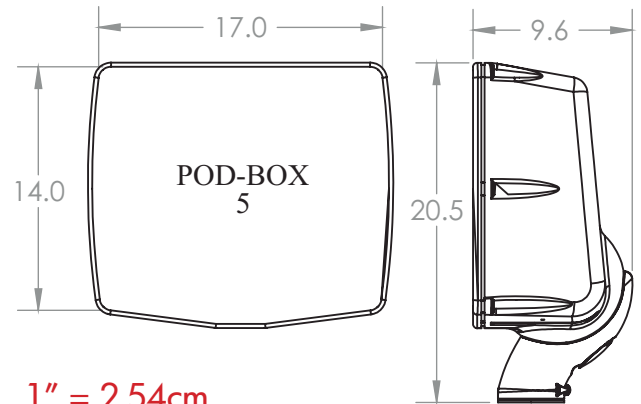
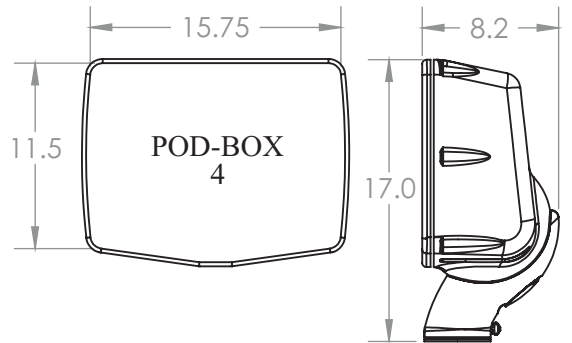
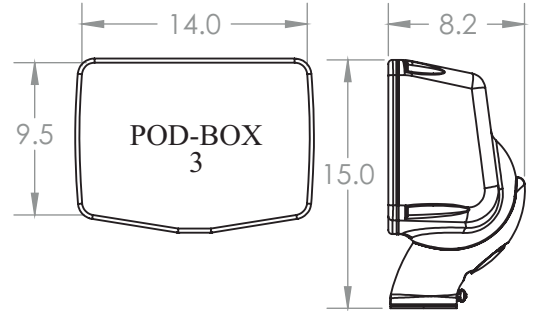
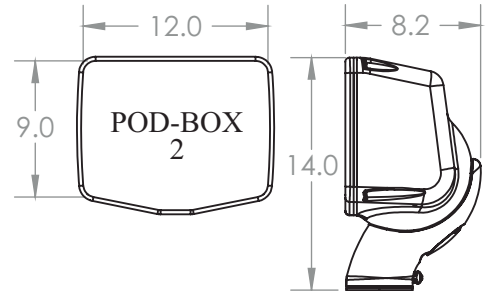
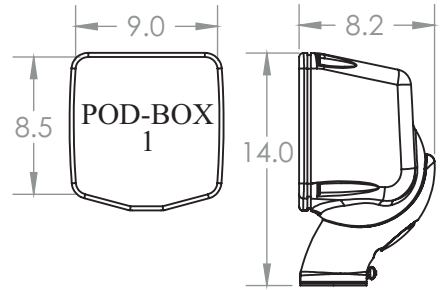
Display Model	Pre-Cut Pod Box	Seaview Deck Pod Part # (BLACK BASE)	Seaview Deck Pod Part # (WHITE BASE)	Sail Pod **Pre-Cut must be specified (Extra cut Charge)
LOWRANCE				
HDS-5 / HDS-5M / HDS-5X	1	POD-1-LHDS5	PODW-1-LHDS5	POD-2S**
HDS-7 / HDS-7M	1	POD-1-LHDS7	PODW-1-LHDS7	POD-2S**
HDS-8 / HDS-8M	2	POD-2-LHDS8	PODW-2-LHDS8	POD-2S**
HDS-10 / HDS-10M	3	POD-3-LHDS10	PODW-3-LHDS10	POD-2S**

Display Model	Pre-Cut Pod Box	Seaview Deck Pod Part # (BLACK BASE)	Seaview Deck Pod Part # (WHITE BASE)	Sail Pod **Pre-Cut must be specified (Extra cut Charge)
NORTHSTAR				
M84	2	POD-2-NM84	PODW-2-NM84	POD-2S**
M121	4	POD-4-NM121	PODW-4-NM121	POD-1S**

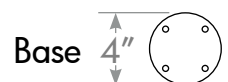
Display Model	Pre-Cut Pod Box	Seaview Deck Pod Part # (BLACK BASE)	Seaview Deck Pod Part # (WHITE BASE)	Sail Pod **Pre-Cut must be specified (Extra cut Charge)
RAYMARINE				
A50 / A50D / A57D	1	POD-1-RA50	PODW-1-RA50	POD-2S**
A70 / A70D	2	POD-2-RA50	PODW-2-RA50	POD-2S**
C70	2	POD-2-RC70	PODW-2-RC70	POD-2S**
C80 / E80	2	POD-2-RC80	PODW-2-RC80	POD-2S**
C120 / E120	4	POD-4-RC120	PODW-4-RC120	POD-1S**
C90W / E90W	3	POD-3-RC90W	PODW-3-RC90W	POD-2S**
C120W / E120W	4	POD-4-RC120W	PODW-4-RC120W	POD-1S**
C140W / E140W	5	POD-5-RC140W	PODW-5-RC140W	CALL
G120	4	POD-4-RG120	PODW-4-RG120	POD-1S**
G150	5	POD-5-RG150	PODW-5-RG150	CALL
G170	5	POD-5-RG170	PODW-5-RG170	CALL

Display Model	Pre-Cut Pod Box	Seaview Deck Pod Part # (BLACK BASE)	Seaview Deck Pod Part # (WHITE BASE)	Sail Pod **Pre-Cut must be specified (Extra cut Charge)
SIMRAD				
NSE8	2	POD-2-RC80	PODW-2-RC80	POD-2S**
NSE12	4	POD-4-RC120	PODW-4-RC120	POD-1S**
GB40 - 10" Display	3	POD-3-SGB4010	PODW-3-SGB4010	POD-2S**
GB40 - 15" Display	4	POD-4-SGB4015	PODW-4-SGB4015	POD-1S**
NX40	3	POD-3-SNX40	PODW-3-SNX40	POD-2S**
NX45	4	POD-4-SNX45	PODW-4-SNX45	POD-1S**

Display Model	Pre-Cut Pod Box	Seaview Deck Pod Part # (BLACK BASE)	Seaview Deck Pod Part # (WHITE BASE)	Sail Pod **Pre-Cut must be specified (Extra cut Charge)
SITEX				
ColorMax 6	1	POD-1-SICM6	PODW-1-SICM6	POD-2S**
ColorMax Wide	2	POD-2-SICMW	PODW-2-SICMW	POD-2S**
ColorMax Pro	3	POD-3-SICMP	PODW-3-SICMP	POD-2S**

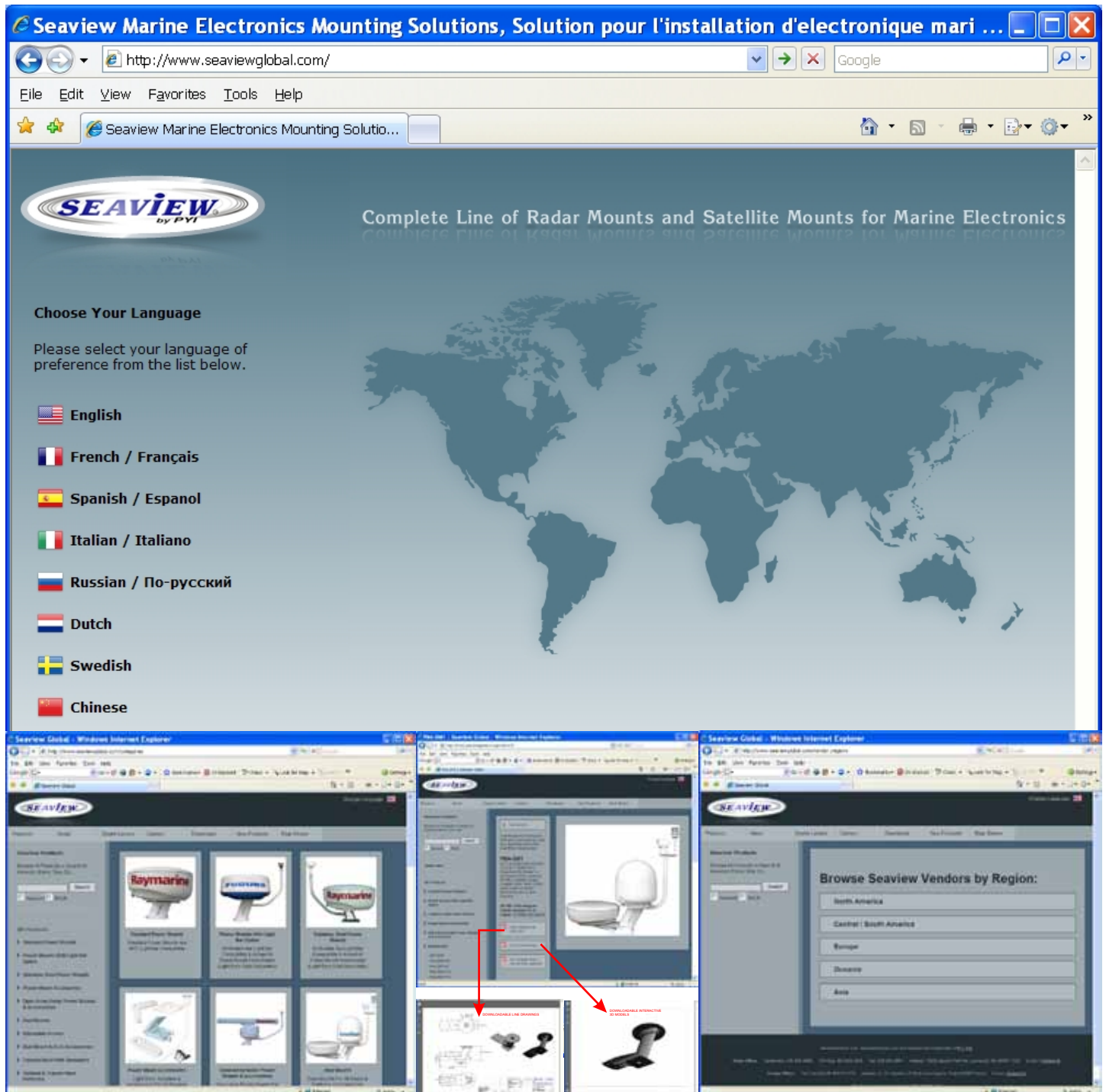


1" = 2.54cm



Website: www.seaviewglobal.com

- Complete Site Available In Many Languages
- Downloadable Dimensional Drawings & Interactive 3D Models
- Easily Locate Distribution / Dealer Networks



SEAVIEW
by PYI

N 47° 53' 2.9"

Headquarters

12532 Beverly Park Rd.
Lynnwood, WA 98087

W 122° 16' 43.5"

Tel: (425) 355-3669
(800) 523-7558
Fax: (425) 355-3661
info@pyiinc.com
www.SeaviewGlobal.com



N 43° 25' 9.1596"

Europe Office

ZI du Capitou, 85 rue Louis Lepine
83600 Frejus - France

E 6° 44' 10.1214"

Tel: +33 4 94 5327 70
Fax: +33 4 94 5326 62
info@seavieweurope.com
www.SeaviewEurope.com

