

# G2183



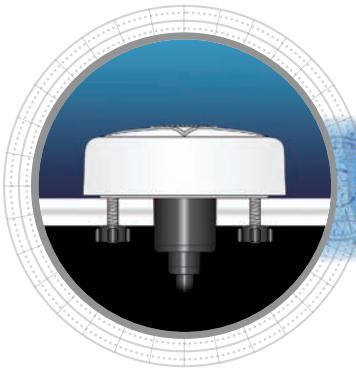
## Reliable Position Accuracy

The G2183 is a high-accuracy, NMEA, WAAS/EGNOS, GPS antenna. It scores high in superior sensitivity for quick signal acquisition, reliable position accuracy, and accurate speed and course-over-ground readings. The G2183 can connect to both NMEA 0183 and NMEA 2000® networks that may be installed on the vessel, as the unit outputs both protocols simultaneously. It features a compact size that is easy to flush-mount, pole-mount, or rail-mount. The G2183 is designed for all marine environments, as the IPX6 waterproof housing can withstand virtually any condition Mother Nature throws at it.

## GPS Sensor

### Features

- WAAS/EGNOS GPS with 3 m (10') accuracy
- Provides:
  - Latitude and Longitude
  - Course Over Ground (COG)
  - Speed Over Ground (SOG)
  - Time and Date
  - Magnetic Variation
- Outputs NMEA 0183 and NMEA 2000® data simultaneously
- IPX6 waterproof enclosure
- Available as a combination GPS/Heading Sensor (GH2183)



## Technical Information

### SPECIFICATIONS

**Supply Voltage:** 9 VDC to 16 VDC  
**Supply Current:** <190 mA  
**Operating Temperature Range:** -25°C to 55°C (-13°F to 131°F)  
**Storage Temperature Range:** -30°C to 70°C (-22°F to 158°F)  
**GPS Satellite Tracked:** 12-channel (maximum)  
**WAAS/EGNOS Satellites Tracked:** 2-channel (maximum)  
**GPS Position Accuracy:** 3 m (10') with WAAS (95% of the time, SA off)  
**GPS-Fix Update Rate:** 1 x per second  
**Cold Start Acquisition:** 52 seconds  
**Warm Start Acquisition:** 37 seconds  
**NMEA 2000® Load Equivalency Number (LEN):** 5  
**Certifications and Standards:** CE, IPX6, RoHS, IEC60945

### DATA OUTPUT PROTOCOL

#### NMEA 0183 Sentence Structure

\$GPDTM ..... Datum Reference  
 \$GPGGA ..... GPS Fix Data  
 \$GPGLL ..... Geographic Position—Latitude and Longitude  
 \$GPGSA ..... GNSS DOP and Active Satellites  
 \$GSGSV ..... GNSS Satellites in View  
 \$GPRMC ..... Recommended Minimum Specific GNSS Data  
 \$GPVTG ..... Course Over Ground and Ground Speed  
 \$GPZDA ..... Time and Date

#### NMEA 2000® Supported PGNs

127258 ..... Magnetic Variation  
 129025 ..... Position and Rapid Update  
 129026 ..... COG and SOG, Rapid Update  
 129029 ..... GPS Position Data  
 129033 ..... Time and Date  
 129044 ..... Datum  
 129538 ..... GNSS Control Status  
 129539 ..... GNSS DOPs  
 129540 ..... GNSS Sats in View  
 129541 ..... GPS Almanac Data

### DIMENSIONS

