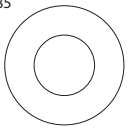
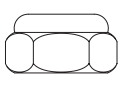
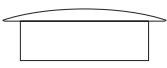
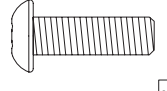








Scanstrut Scanpod Installation Instructions

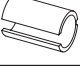
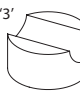
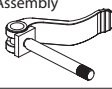
Rail Mount 1 (8", 12" & 15")


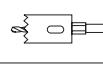

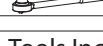

Parts List	
60085	 x1
60080	 x1

60525	 x1
60516	 x4

101817	 x2
101819	 x1
17SPF-RAIL-8, 12 or 15	 x1

Bottom Clamp '1'	 x1
Main Body '2'	 x1
Top Clamp '4'	 x1

Adapter	 x1
Top Clamp '3'	 x1
Lever Assembly	 x1

Tools Required	
	Power drill
	Hole Saw ø16mm (5/8"), ø24mm (15/16")
	ø7.0mm
	13mm Socket Wrench
Tools Included	
	M5 Pin torx Wrench (63516)

