



ICEMAKERS 2020

THE NEW SERIES





**FREEZE
YOUR MOMENTS**

MAKE EVERY SPECIAL MOMENT UNIQUE



HIGHLIGHTS



**NEW
FEATURES**



**NEW
MODELS**



**KG./24H
OF ICE
PRODUCTION**



STEELOCK SYSTEM WITH SLIDING FLANGE

A SINGLE SECTION FITTING FRAME TO FIX
EITHER WITH THE DOOR FLUSH
OR PROUD OF YOUR FURNITURE.



DOOR OUTSIDE



DOOR INSIDE



**STEELOCK SYSTEM
WITH INTEGRATED
VENT POSITION**

THE POSITIVE STEELOCK LATCH HAS
A VENT POSITION FOR FRESH AIR
CIRCULATION DURING PERIODS
OF NON-USE.



WATERPROOF LED THERMOSTAT



- 1** ON/OFF ICE PRODUCTION SWITCH
- 2** FREEZER MODE WITH 3 TEMPERATURE SETTING UP TO -18°C
- 3** ELECTRONIC WATER LEVEL SENSOR (REFILL VERSION ONLY)



WATERPROOF LED THERMOSTAT

STANDBY MODE

HOLD ON THE (1) BUTTON FOR 2 SECONDS TO SWITCH ON/OFF THE UNIT (GREEN LED ON)

ICE PRODUCTION SWITCH

HOLD THE (2) BUTTON FOR 2 SECONDS TO DEACTIVATE THE ICE PRODUCTION MODULE (BLUE LED B OFF)

LED INDICATORS

NORMAL OPERATION

GREEN LED (E) ON

LOW WATER LEVEL (REFILL VERSION ONLY)

RED LED (C) ON

ICE PRODUCTION FAILURE

RED LED (C) FLASHES INTERMITTENTLY

FULL ICE SIGNAL

BLUE LED (B) FLASHES INTERMITTENTLY

ICE MAKER MODE

- 1** ON/OFF
- 2** ICE PRODUCTION SWITCH
- 3** LED INDICATORS



WATERPROOF LED THERMOSTAT

STANDBY MODE

HOLD ON THE (1) BUTTON FOR 2 SECONDS TO SWITCH ON/OFF THE UNIT (GREEN LED ON)

ICE PRODUCTION SWITCH

HOLD THE (2) BUTTON FOR 2 SECONDS TO DEACTIVATE THE ICE PRODUCTION MODULE (BLUE LED B OFF)

LED INDICATORS

PRESS THE (2) BUTTON TO MOVE THE BLUE LED TO C, D OR E POSITION FOR SETTING 3 DIFFERENT TEMPERATURES:

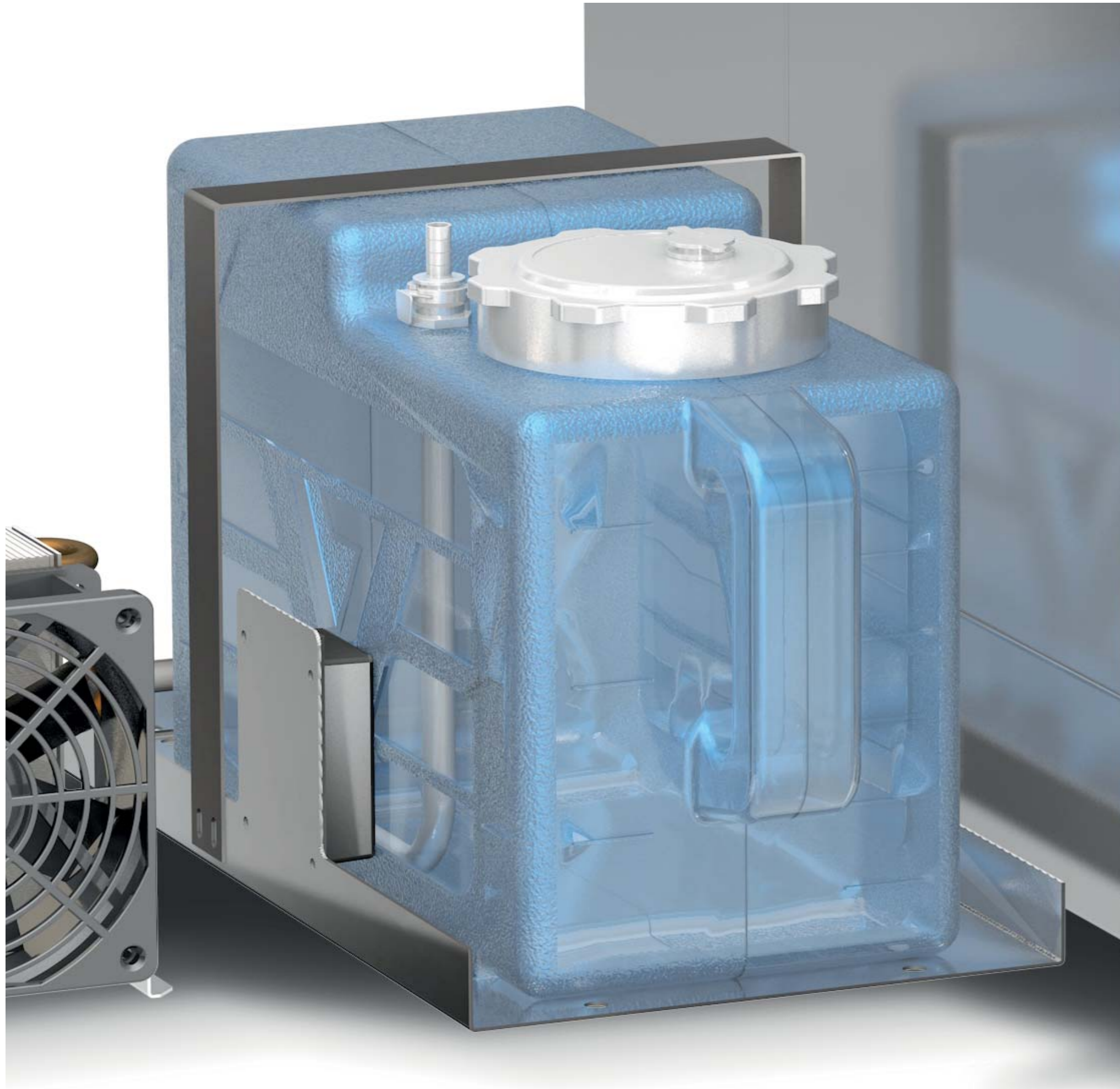
C=LOW (-6°C)

D=MID (-12°C)

E=HIGH (-18°C)

FREEZER MODE

- 1** ON/OFF
- 2** ICE PRODUCTION SWITCH
- 3** LED INDICATORS



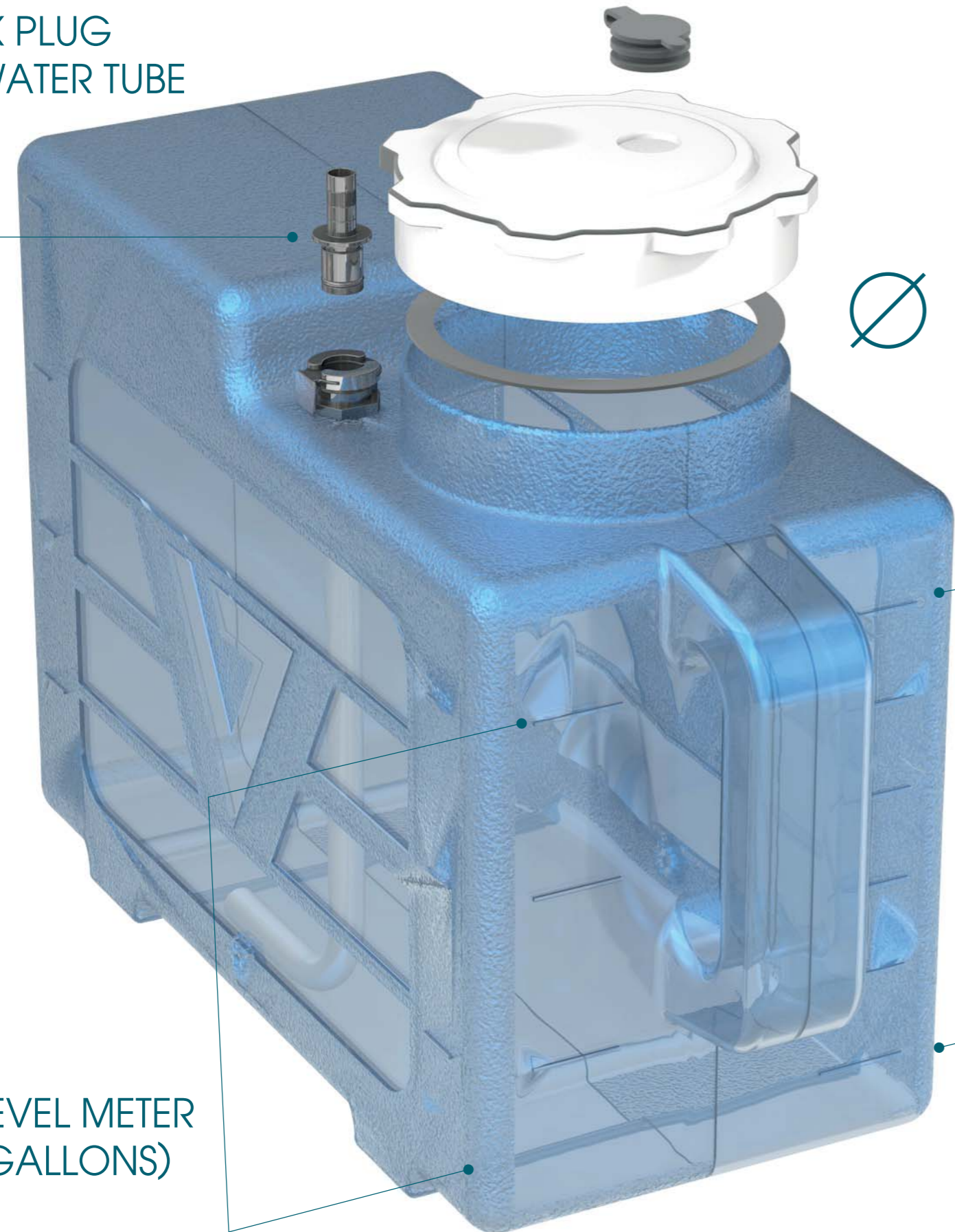
NEW WATER TANK

REMOVABLE
AND EASILY
WASHABLE

4

NEW WATER TANK

QUICK PLUG FOR WATER TUBE



∅ CAP DIAMETER (100 MM.)

LEVEL METER (LITERS)

LEVEL METER (GALLONS)

CAPACITY

7 LITERS - 1,8 GALLONS

EASY WASHABLE BY HAND

CAP DIAMETER 100 MM.

QUICK PLUG

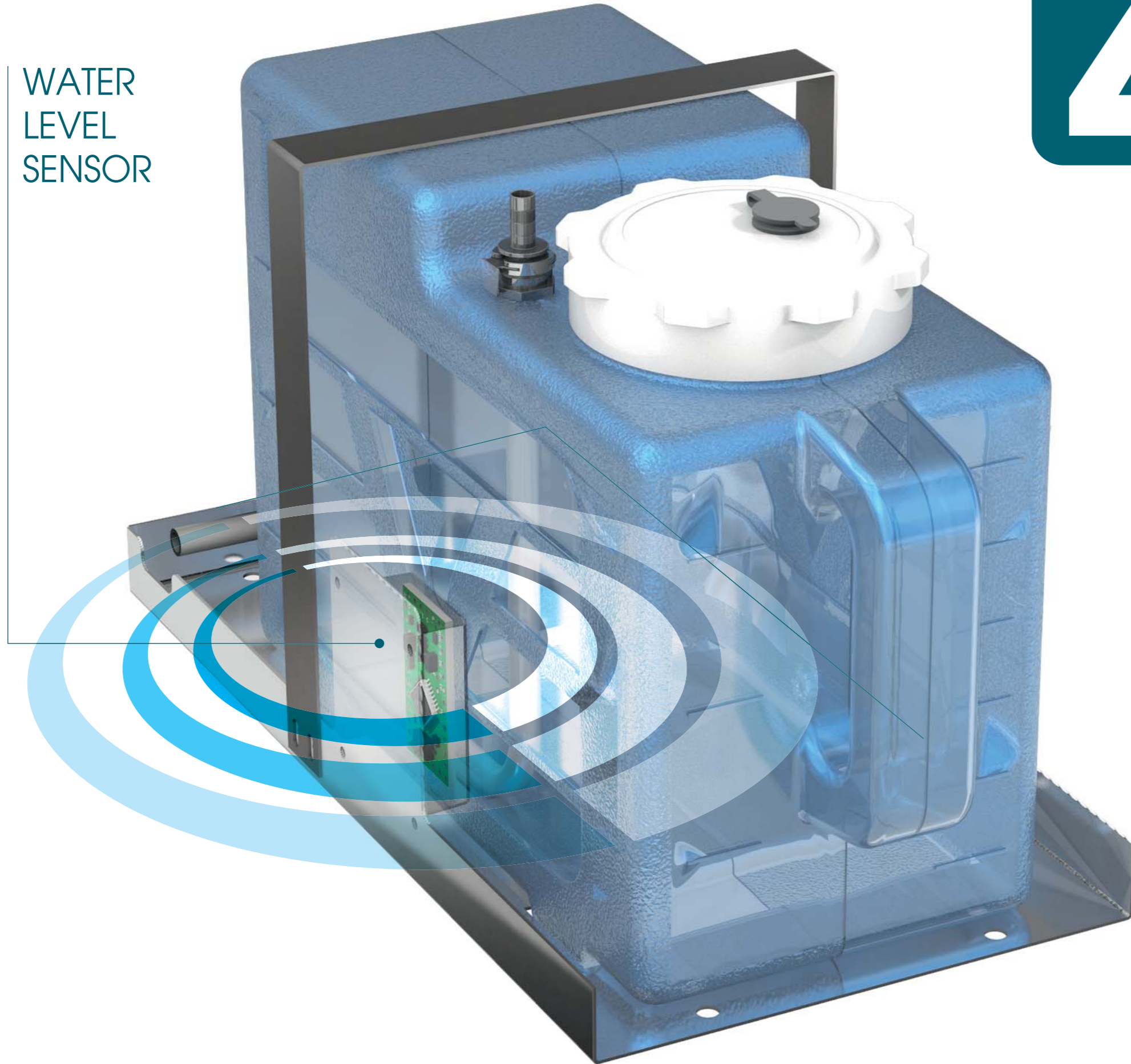
FOR WATER TUBE

4

NEW WATER TANK

WATER LEVEL SENSOR

WATER LEVEL SENSOR





UV-C LED DISINFECTION SYSTEM (OPTIONAL)

PURIFIES WATER
FROM BACTERIA



MODELS FOR EVERY USE

AVAILABLE MODELS

ICE PRODUCTION kg./24h

■ IM XT HYDRO	up to 8
■ IM XT REFILL	up to 8
■ IM XR HYDRO	up to 8
■ IM XR REFILL	up to 8
■ IM CL HYDRO	up to 8
■ IM CL REFILL	up to 8



MODELS FOR EVERY USE

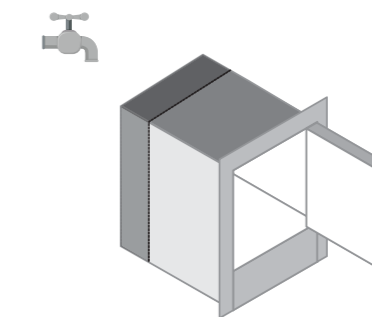


IM XT INTERNAL COOLING UNIT

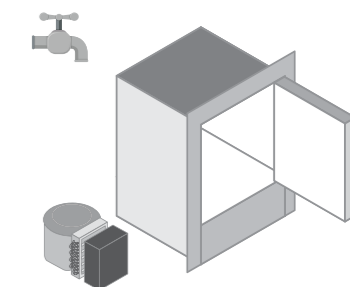
IM XR EXTERNAL COOLING UNIT

AVAILABLE MODELS

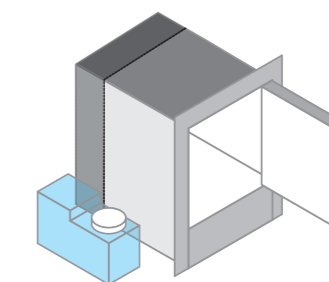
IM XT HYDRO



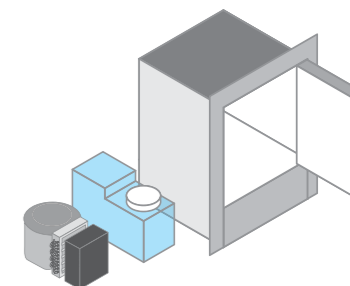
IM XR HYDRO



IM XT REFILL



IM XR REFILL





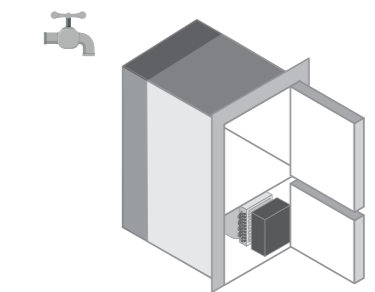
MODELS FOR EVERY USE

IM CL HYDRO

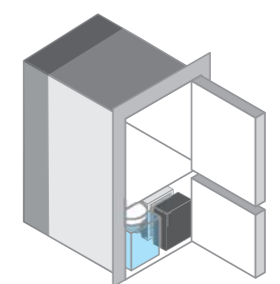
IM CL REFILL

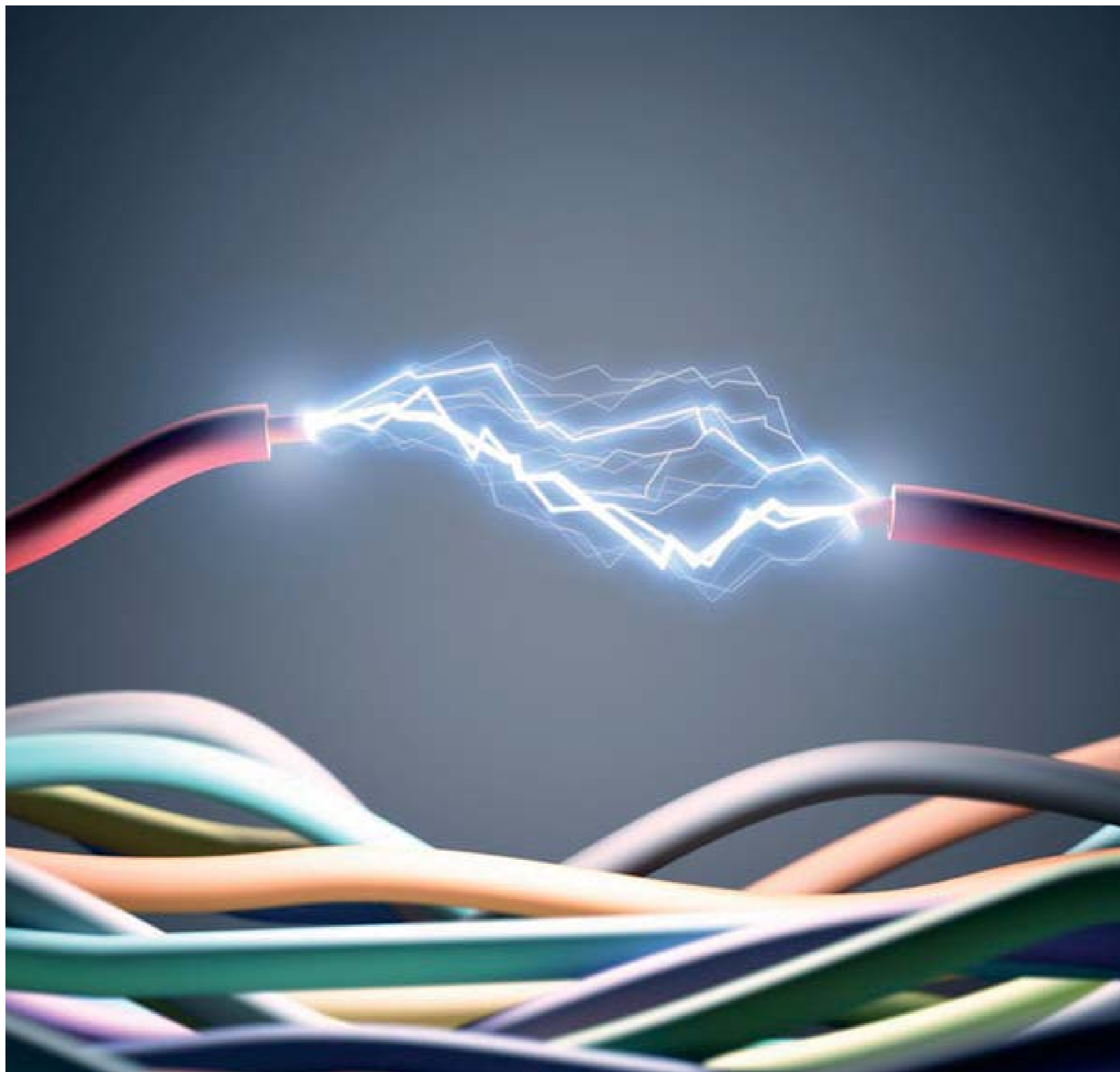
AVAILABLE MODELS

IM CL HYDRO



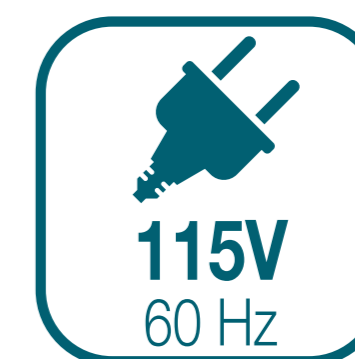
IM CL REFILL





VOLTAGES

ALL MODELS ARE
AVAILABLE AS



VITRIFRIGO

COOL AND BEYOND



MADE IN ITALY

A small graphic of the Italian flag, consisting of three horizontal stripes of green, white, and red.

Vitrifrigo S.r.l.
Via Mazzini, 75 - Frazione Montecchio - 61022 Vallefoglia (PU) - Italy
Tel. +39 0721 154.500 - www.vitrifrigo.com - info@vitrifrigo.com



www.vitrifrigo.com