

Schenker[®]

WATERMAKERS





MANUFACTURER OF HIGH QUALITY MARINE WATERMAKERS.

Schenker watermakers

Our history

Established in 1998, Schenker is a leading manufacturer of high quality watermakers based on our patented Energy Recovery System. The company prides itself on its continuous investment in research and development, providing its customers with unsurpassed technical solutions.

Our innovation

Schenker uses a low-pressure feed pump. The pressure is then increased using our new patented Energy Recovery System, powered by the waste water from the reverse osmosis process. This reduces the power consumption by up to 80% compared with conventional watermakers.

Our mission

Provide high quality and innovative products that meet our customer needs.
Provide excellent service and on-going support through our network of international representatives.
Provide energy efficient, simple and reliable solutions for making water.

Why choose a Schenker watermakers?

Power consumption is reduced by up to 80% compared with conventional watermakers. For example just 240 Watts is required to produce 60 litres of drinking water.

80% LESS
POWER
CONSUMPTION

Schenker watermakers produce pure drinking water. No need to carry onboard supplies of plastic bottled water thereby reducing our reliance on plastic and protecting our oceans.

REDUCING
WASTE

Thanks to their high efficiency, Schenker watermakers can be powered directly from service batteries without the need to run the engine or generator.

DIRECT
SERVICE
BATTERIES
POWER
SUPPLY

Schenker watermakers low pressure pump and Energy Recovery System result in quiet, vibration free operation.

QUIET
OPERATION

Thanks to the low power consumption, Schenker watermakers can easily be powered by renewable energy.

ECO
SUSTAINABILITY

Schenker watermakers are constructed of corrosion free materials such as carbon fibre and acetylic resins. The watermaker is totally corrosion free.

CORROSION
FREE
MATERIALS

The watermaker will automatically flush the membrane with fresh water at the end of its cycle.

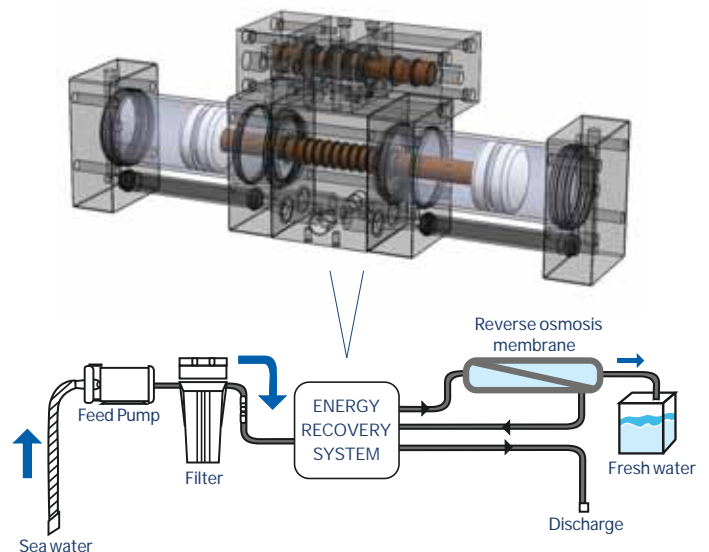
AUTOMATIC
MEMBRANE
FLUSHING

Schenker watermakers new generation seals have been designed using nanotechnology. This material is characterised by a very low friction coefficient and is incredibly long-lasting ensuring reliable operation.

LONG LASTING
COMPONENTS

WORKING PRINCIPLE

Schenker uses a low-pressure feed pump. The pressure is then increased using its new, patented Energy Recovery System powered by the waste water from the reverse osmosis process.. This results in very high-energy efficiency with typical power consumption of only 4 Watts per litre of drinking water produced.



Designed to be

Schenker watermakers are simple, quiet, compact, efficient and fully automatic.

A Schenker watermaker will allow you to extend your cruising duration and increase your independence from marinas, allowing you to enjoy more time on the water.

Schenker's three-year warranty is backed up by our international network of sales and service representatives.



different.



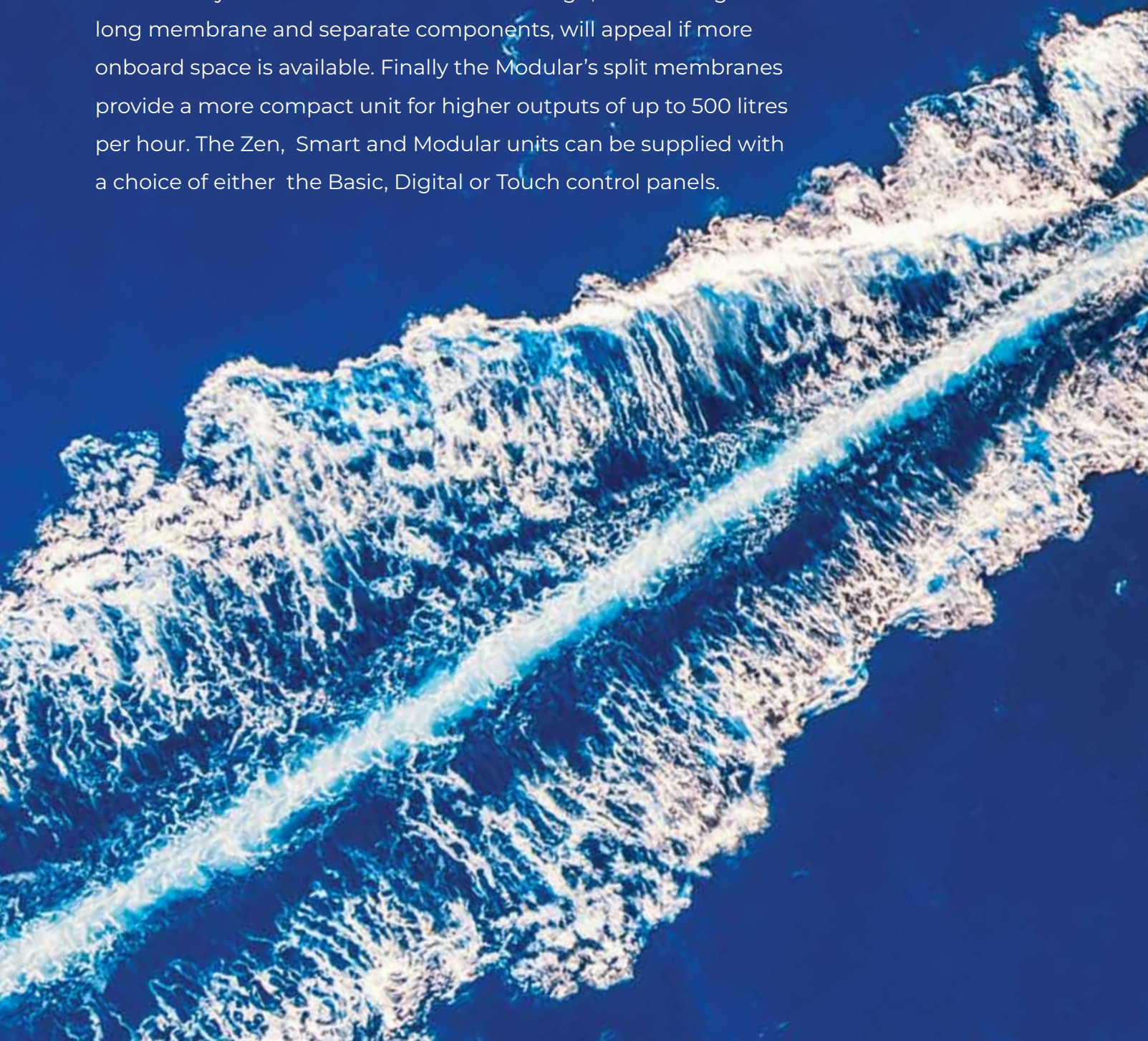
Which model of new generation Schenker watermakers should I choose?

Schenker watermakers are available in three models types: The Zen, Smart and Modular.

All units incorporate Schenker's power saving Energy Recovery System and high quality materials.

The new compact Zen, with its clean looks, ultra-flat design and minimal external fittings, is a perfect choice where onboard space is limited or you want the latest in watermaker design.

Alternatively the more traditional Smart design, with its single long membrane and separate components, will appeal if more onboard space is available. Finally the Modular's split membranes provide a more compact unit for higher outputs of up to 500 litres per hour. The Zen, Smart and Modular units can be supplied with a choice of either the Basic, Digital or Touch control panels.



An aerial photograph of a speedboat moving across a deep blue body of water, leaving a white wake. The boat is positioned in the lower-left quadrant of the frame, angled towards the upper-right. The water's surface is textured with small ripples and reflections of light.

SMALL, LARGE OR XLARGE

What size of watermaker should I choose?

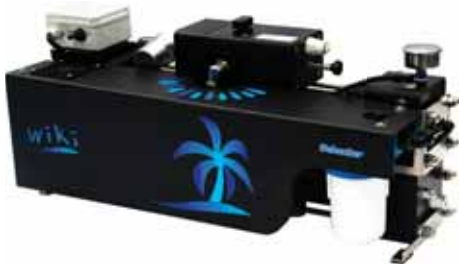
We all have varying water needs aboard, ranging from 30 to 50 litres per day per person. Your ideal watermaker should provide the daily fresh water needs of the boat in about three to four hours. For example, a yacht with 5 persons onboard may need about 200 litres per day. This could be produced by a Zen 50 watermaker in four hours.

DC OR AC ?

Should I choose a dc or ac watermaker?

All Schenker watermakers are fitted with an Energy Recovery System, reducing the power consumption by up to 80% compared with conventional watermakers. The 30 and 50 litre per hour units are available in DC only. Units from 60 to 150 litres per hour are available in both DC and AC, and the higher output units are AC. The quiet operation of Schenker's watermakers allows you to opt for a smaller output unit that can operate for longer periods to produce the amount of water you need.

Our watermakers



Wiki, a compact, portable, energy-efficient, Italian-designed watermaker. It doesn't require installation and can be put into operation in a few minutes, by connecting the pipes through practical quick-coupling fittings. 12-24 VDC, low power (110W), easy setup.



Quiet, small, light, efficient, affordable. Can be installed horizontally or upright. Very compact, fitting the smallest of spaces.

RANGE
30 - 50 - 100 - 150 litres/hour



The ZEN Twin is based on two independent watermakers, offers the possibility to operate both or just one machine.

RANGE
200 - 300 litres/hour

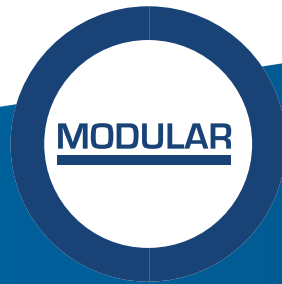
Production may vary +/-20% according to the specific working conditions.

Our watermakers



Light, single membrane.
The ideal solution for those who
prefer a simple and essential system.


RANGE
30 - 60 - 80 - 100 litres/hour



A very compact unit.
Choice of output range to satisfy all
needs.

RANGE
35 - 60 - 100 - 150
230 - 300 - 500 litres/hour



| | |
|---|-----------------|
|  Power Supply | 12 / 24 V |
|  Consumption | 110 Watt |
|  Weight | 26 Kg |
|  Membranes | n° 1 2,5" x 21" |

- 

1/4 PERSONS
- 

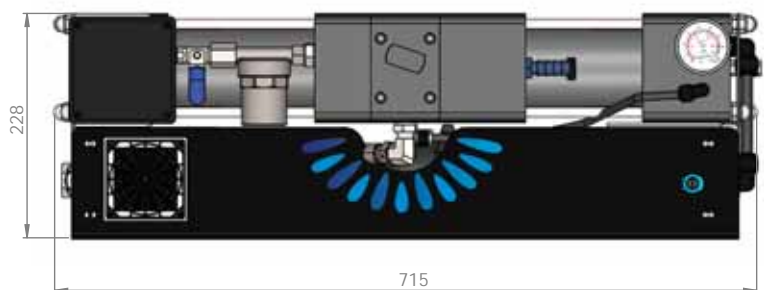
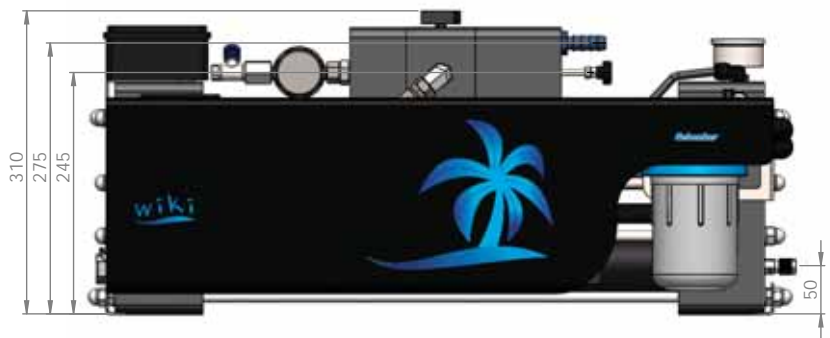
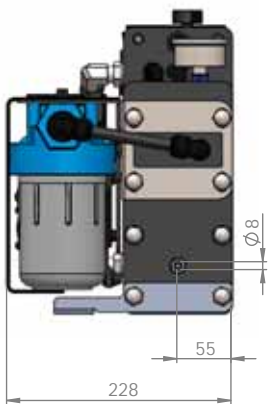
OCEAN ROWING BOATS
- 

INFLATABLE BOAT
- 

30/40 FEET SAILBOAT
- 

25/35 FEET CATAMARAN
- 

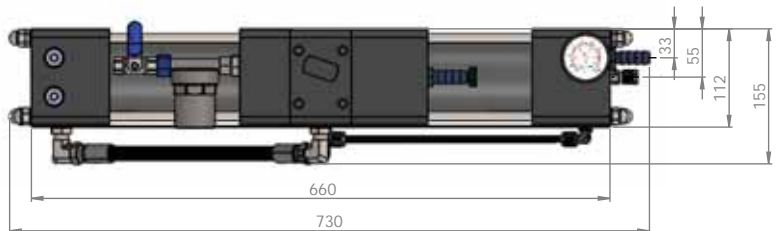
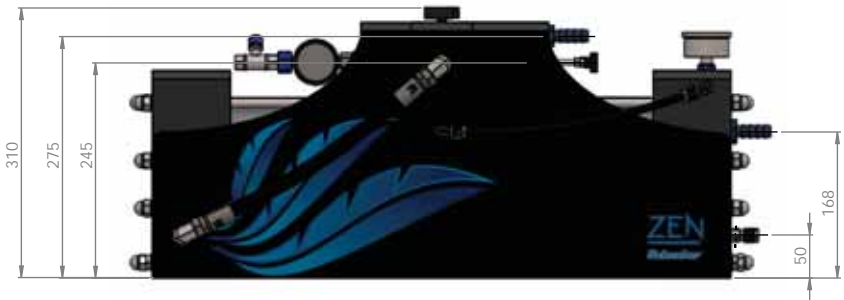
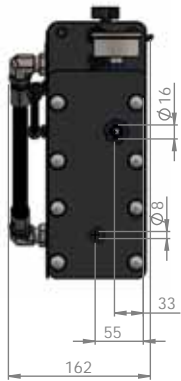
25/35 FEET POWERBOAT





| | |
|--------------|-----------------|
| Power Supply | 12 / 24 V |
| Consumption | 110 Watt |
| Weight | 22 Kg |
| Membranes | n° 1 2,5" x 21" |

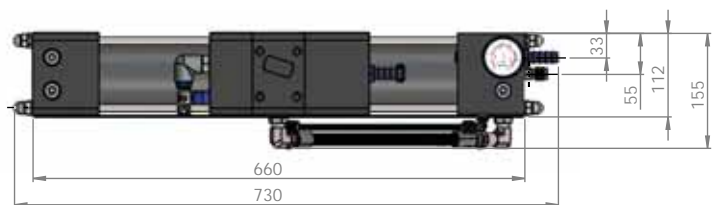
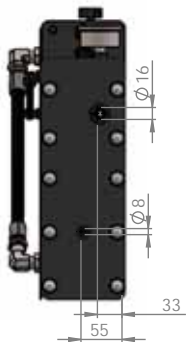
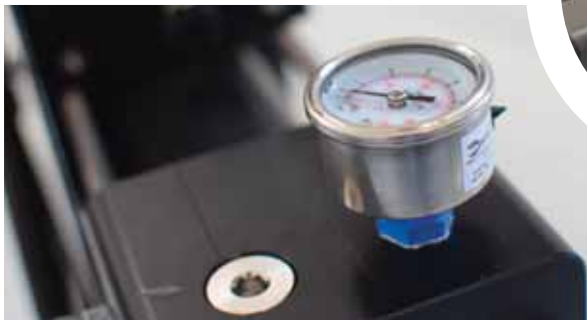
- 1/4 PERSONS
- OCEAN ROWING BOATS
- INFLATABLE BOAT
- 30/40 FEET SAILBOAT
- 25/35 FEET CATAMARAN
- 25/35 FEET POWERBOAT





| | |
|--------------|----------------|
| Power Supply | 12 / 24 V |
| Consumption | 240 Watt |
| Weight | 31 Kg |
| Membranes | n°2 2,5" x 21" |

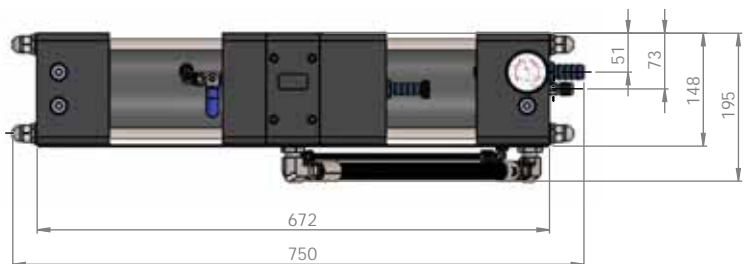
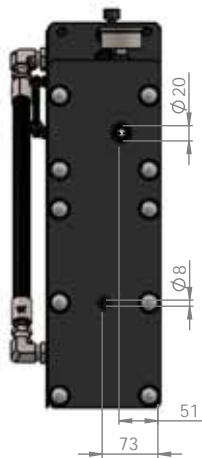
- 4/6 PERSONS
- 35/45 FEET SAILBOAT
- 30/40 FEET CATAMARAN
- 30/40 FEET POWERBOAT





| | |
|--------------|--------------------|
| Power Supply | 12/24/48 VDC or AC |
| Consumption | 400 Watt |
| Weight | 53 Kg |
| Membranes | n°2 4" x 21" |

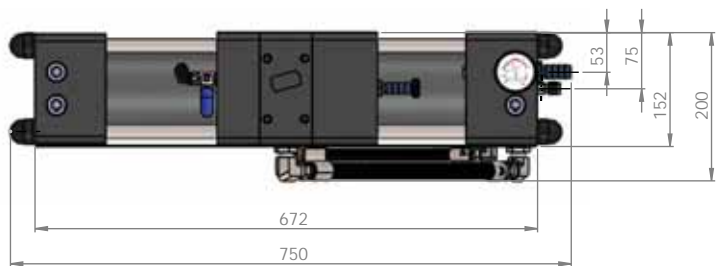
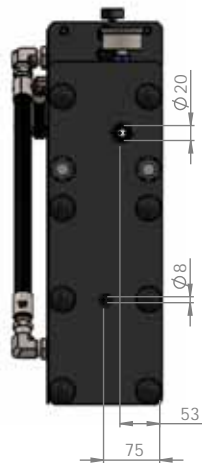
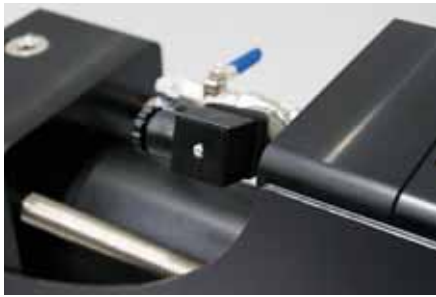
- 6/8 PERSONS
- 45/55 FEET SAILBOAT
- 35/45 FEET CATAMARAN
- 35/45 FEET POWERBOAT





| | |
|--------------|-----------------|
| Power Supply | 24/48 VDC or AC |
| Consumption | 600 Watt |
| Weight | 62 Kg |
| Membranes | n°2 4" x 21" |

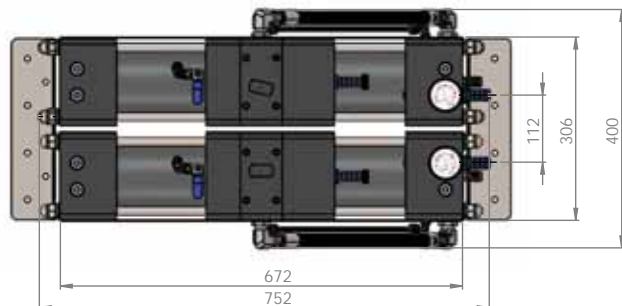
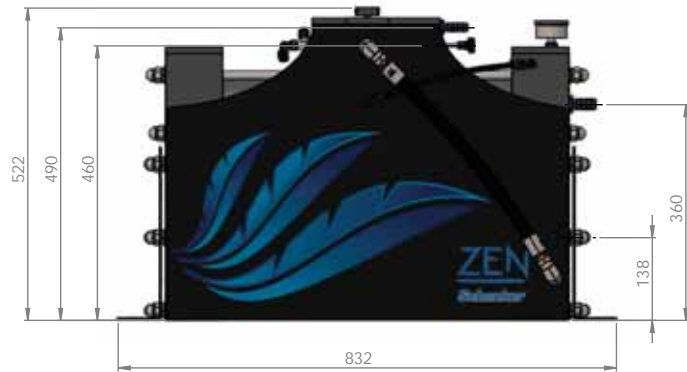
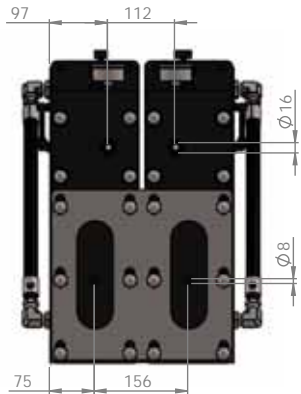
- 8/10 PERSONS
- 50/60 FEET SAILBOAT
- 40/50 FEET CATAMARAN
- 40/50 FEET POWERBOAT





| | |
|--------------|--------------------|
| Power Supply | 12/24/48 VDC or AC |
| Consumption | 800 Watt |
| Weight | 102 Kg |
| Membranes | n°4 4" x 21" |

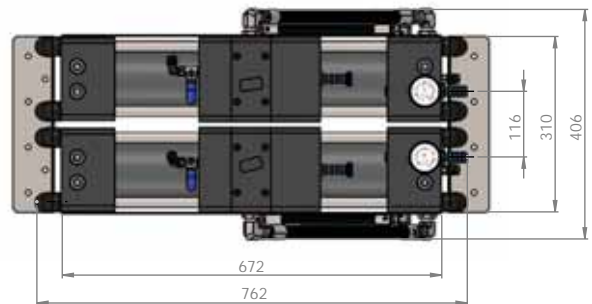
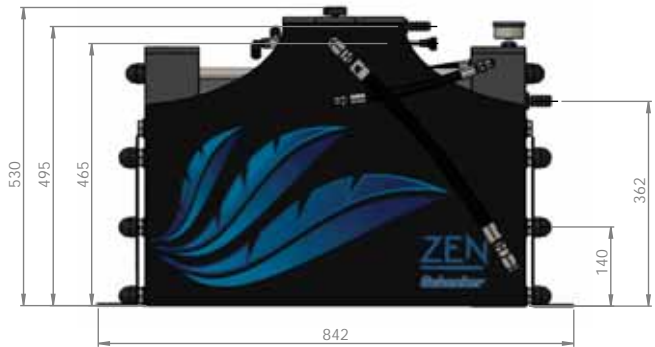
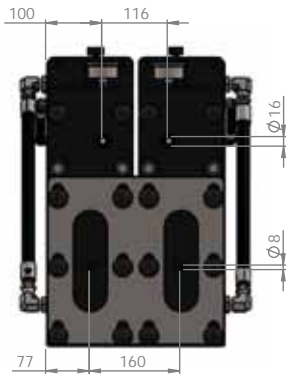
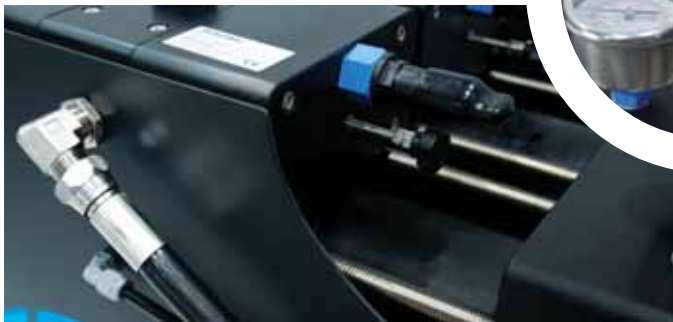
| | | | |
|-------------------|-------------------------|--------------------------|--------------------------|
| 10/12 PERSONS | 55/65 FEET SAILBOAT | 50/60 FEET CATAMARAN | 50/60 FEET POWERBOAT |
|-------------------|-------------------------|--------------------------|--------------------------|









| | |
|--------------|-----------------|
| Power Supply | 24/48 VDC or AC |
| Consumption | 1,2 kWatt |
| Weight | 120 Kg |
| Membranes | n°4 4" x 21" |

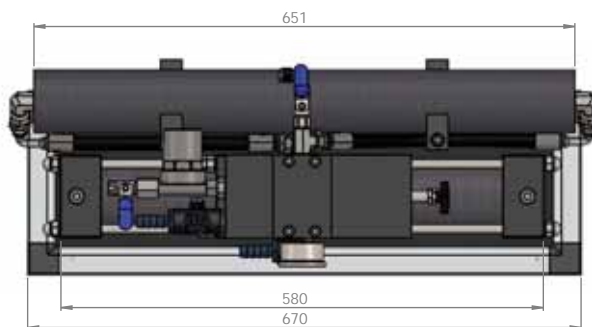
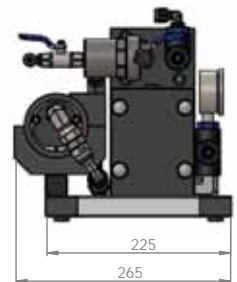
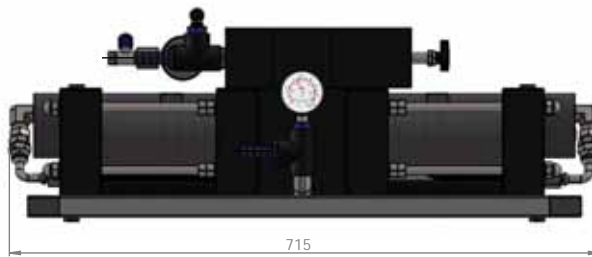
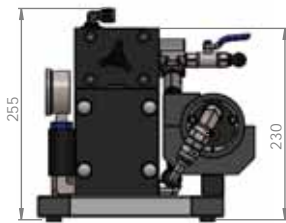
- 12/14 PERSONS
- 60/70 FEET SAILBOAT
- 55/65 FEET CATAMARAN
- 55/65 FEET POWERBOAT





| | |
|---|----------------|
|  Power Supply | 12 / 24 VDC |
|  Consumption | 110 Watt |
|  Weight | 25 Kg |
|  Membranes | n°1 2,5" x 21" |

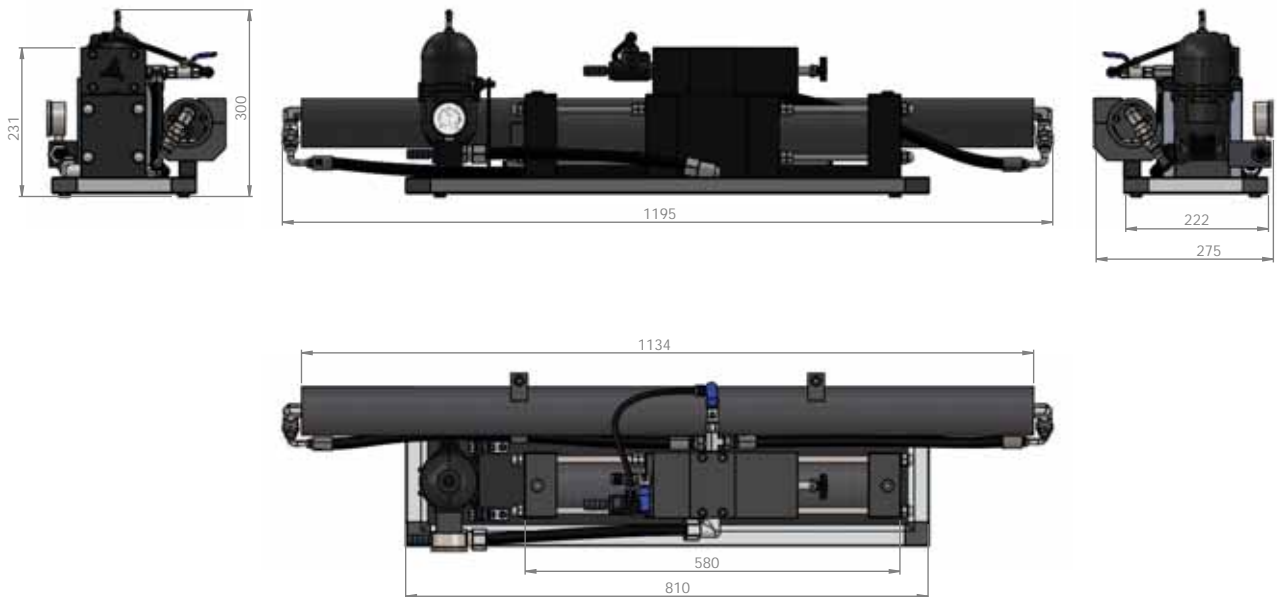
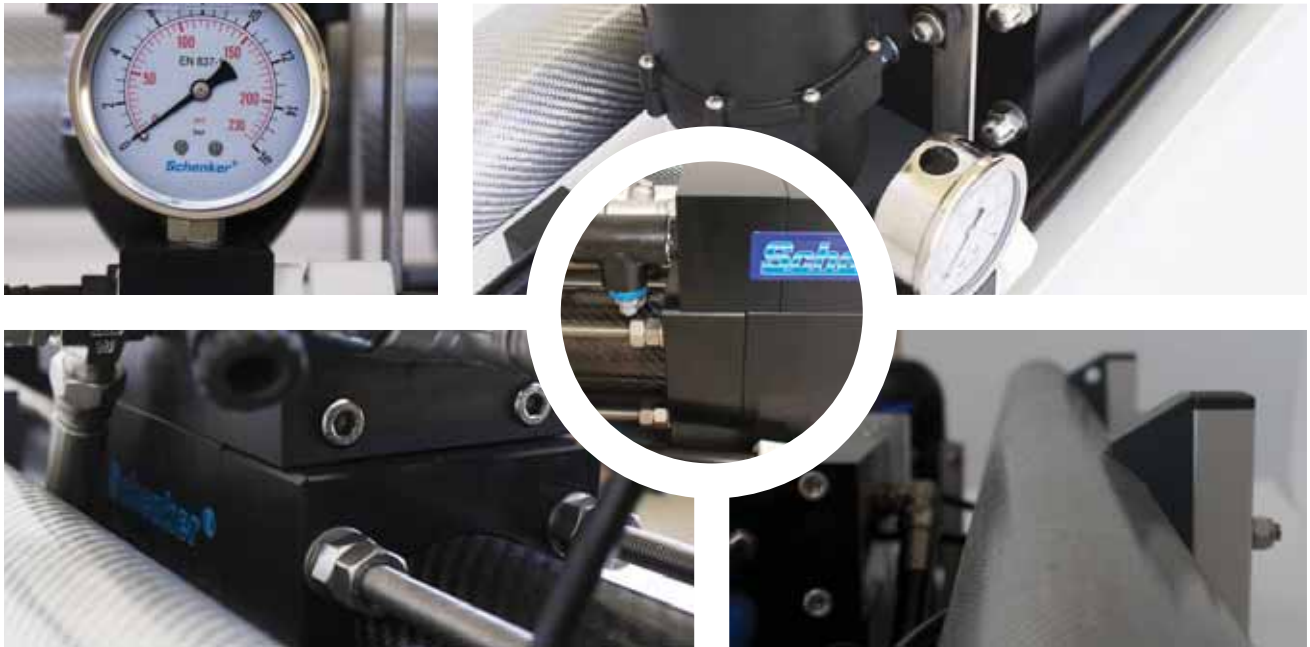
| | | | |
|---|--|--|--|
|  1/4 PERSONS |  30/40 FEET SAILBOAT |  25/35 FEET CATAMARAN |  25/35 FEET POWERBOAT |
|---|--|--|--|





| | |
|--------------|-------------------|
| Power Supply | 12 / 24 VDC or AC |
| Consumption | 240 Watt |
| Weight | 31 Kg |
| Membranes | n°1 2,5" x 40" |

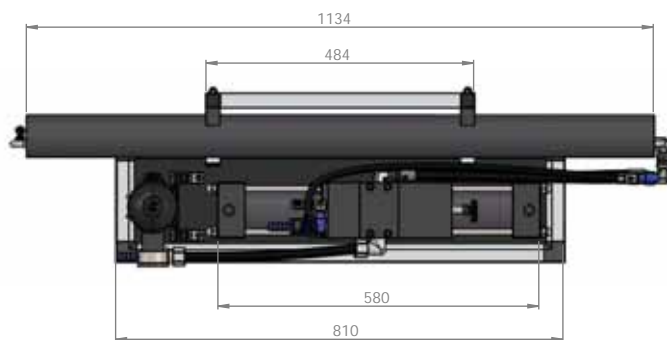
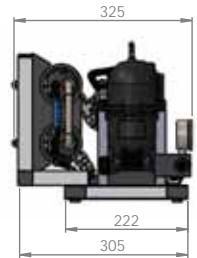
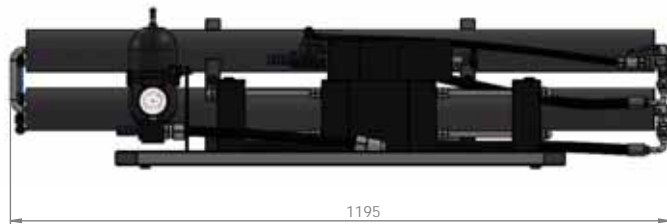
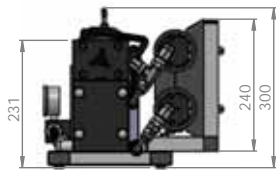
- 4/6 PERSONS
- 35/45 FEET SAILBOAT
- 30/40 FEET CATAMARAN
- 30/40 FEET POWERBOAT





| | |
|--------------|-------------------|
| Power Supply | 12 / 24 VDC or AC |
| Consumption | 380 Watt |
| Weight | 35 Kg |
| Membranes | n°2 2,5" x 40" |

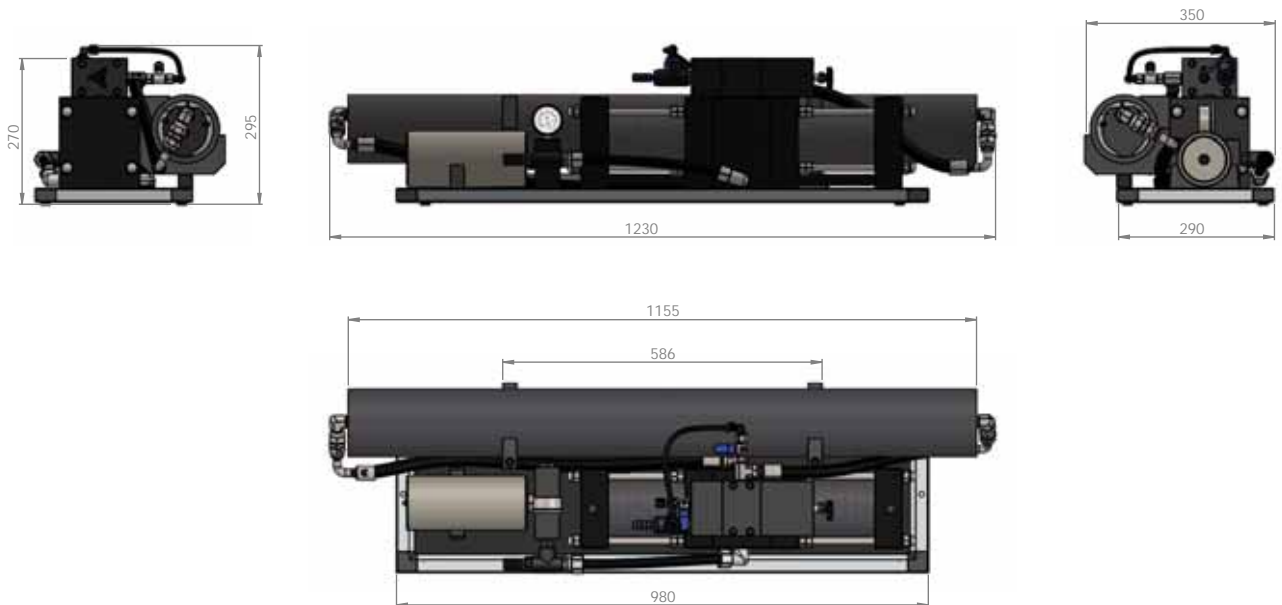
| | | | |
|-------------|---------------------|----------------------|----------------------|
| 6/7 PERSONS | 40/50 FEET SAILBOAT | 35/45 FEET CATAMARAN | 35/45 FEET POWERBOAT |
|-------------|---------------------|----------------------|----------------------|





| | |
|--------------|--------------------|
| Power Supply | 12/24/48 VDC or AC |
| Consumption | 400 Watt |
| Weight | 48 Kg |
| Membranes | n°1 4" x 40" |

| | | | |
|--------------------|----------------------------|-----------------------------|-----------------------------|
| <p>6/8 PERSONS</p> | <p>45/55 FEET SAILBOAT</p> | <p>35/45 FEET CATAMARAN</p> | <p>35/45 FEET POWERBOAT</p> |
|--------------------|----------------------------|-----------------------------|-----------------------------|



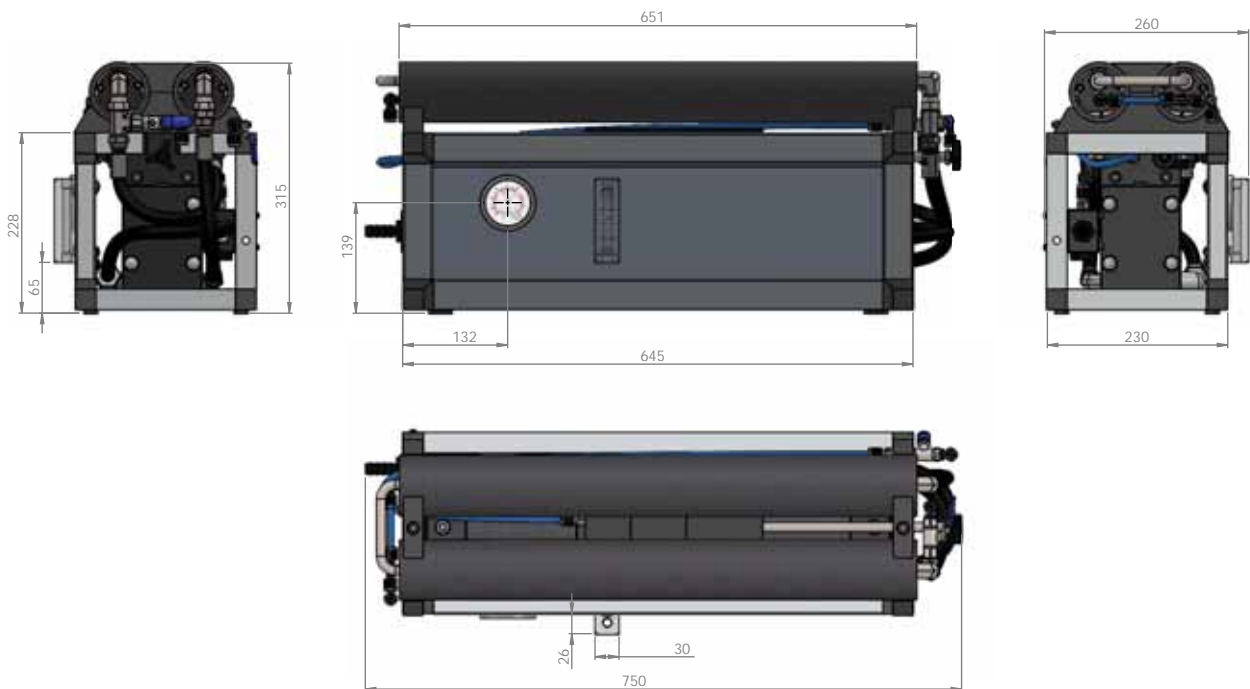
MODULAR

35 lit/h
Gal/h 9



| | |
|--------------|----------------|
| Power Supply | 12 / 24 VDC |
| Consumption | 100 Watt |
| Weight | 31 Kg |
| Membranes | n°2 2,5" x 21" |

- 1/4 PERSONS
- 30/40 FEET SAILBOAT
- 25/35 FEET CATAMARAN
- 25/35 FEET POWERBOAT

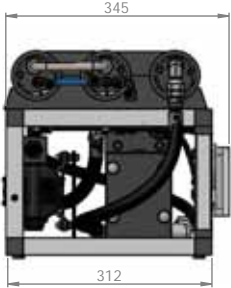
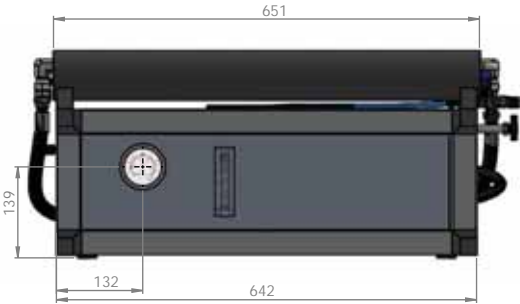
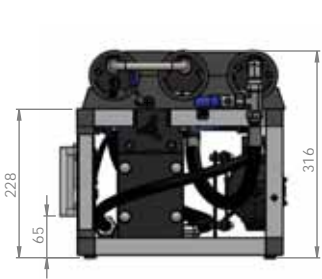


MODULAR
60 lit/h
Gal/h 15.8



| | |
|--------------|-------------------|
| Power Supply | 12 / 24 VDC or AC |
| Consumption | 240 Watt |
| Weight | 38 Kg |
| Membranes | n°3 2,5" x 21" |

- 4/6 PERSONS
- 35/45 FEET SAILBOAT
- 30/40 FEET CATAMARAN
- 30/40 FEET POWERBOAT

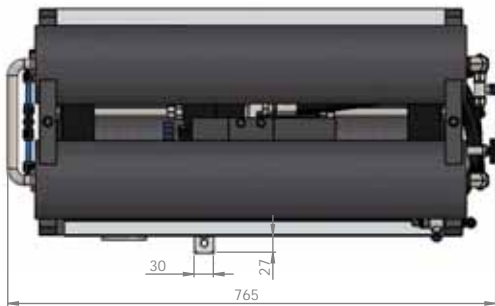
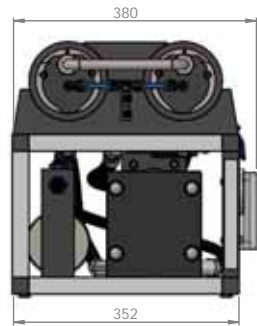
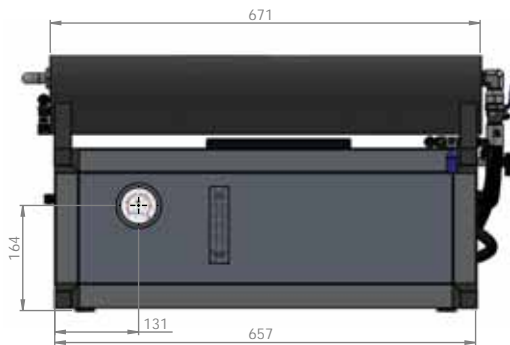
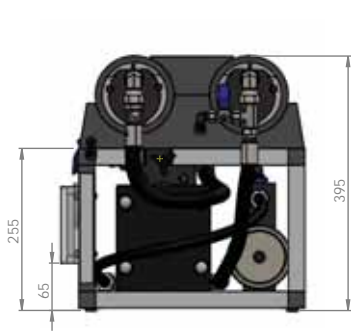
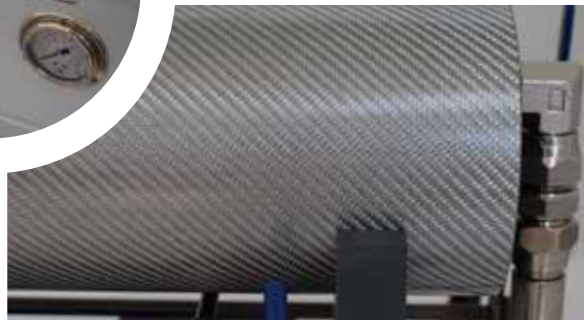


MODULAR
100 lit/h
Gal/h 26.4



| | |
|--------------|--------------------|
| Power Supply | 12/24/48 VDC or AC |
| Consumption | 400 Watt |
| Weight | 58 Kg |
| Membranes | n°2 4" x 21" |

- 6/8 PERSONS
- 45/55 FEET SAILBOAT
- 35/45 FEET CATAMARAN
- 35/45 FEET POWERBOAT

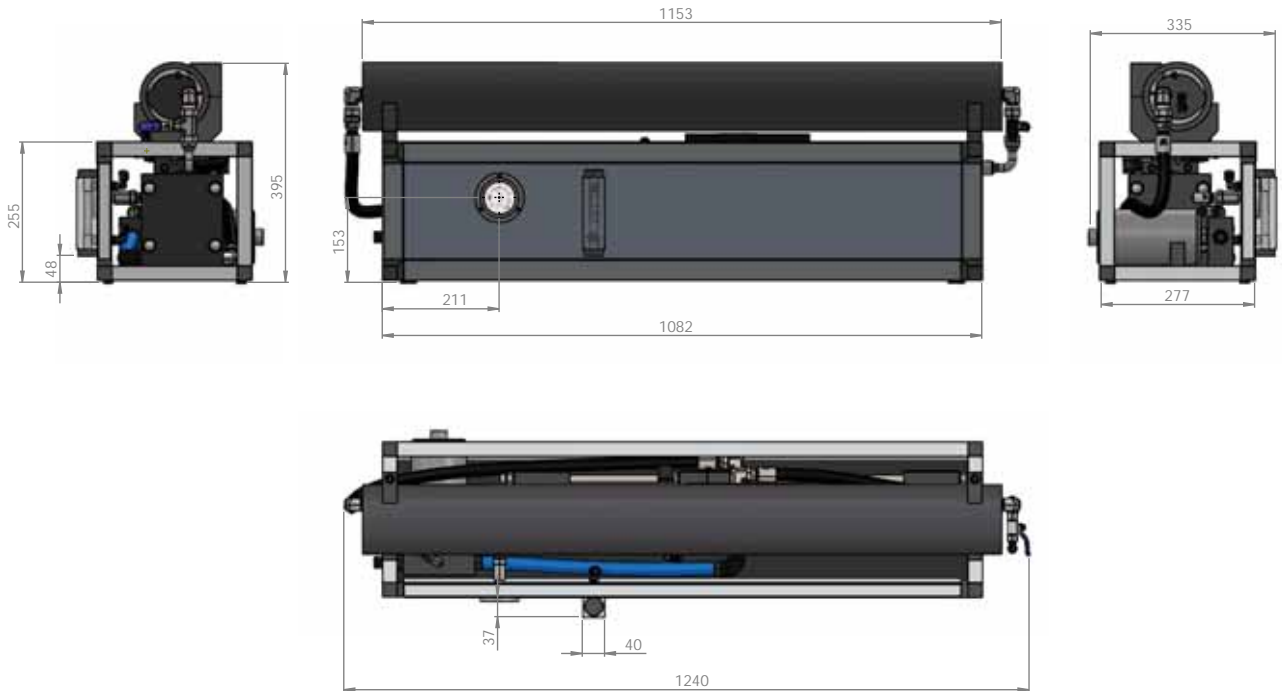
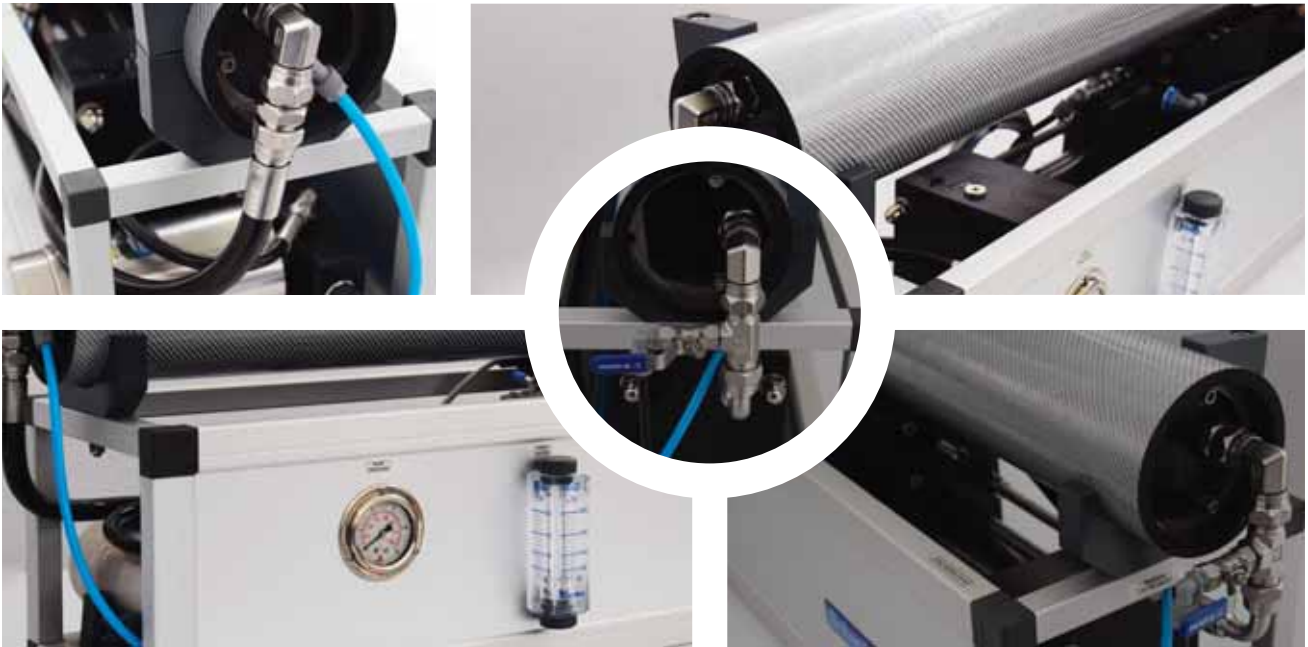


MODULAR
150 lit/h
Gal/h 39.6



| | |
|--------------|-----------------|
| Power Supply | 24/48 VDC or AC |
| Consumption | 600 Watt |
| Weight | 69 Kg |
| Membranes | n°1 4" x 40" |

- 8/10 PERSONS
- 50/60 FEET SAILBOAT
- 40/50 FEET CATAMARAN
- 40/50 FEET POWERBOAT



MODULAR

230 lit/h
Gal/h 61



Power Supply AC single or three phase

Consumption 1,5 kW

Weight 95 Kg

Membranes n°2 4" x 40"

10/12 PERSONS



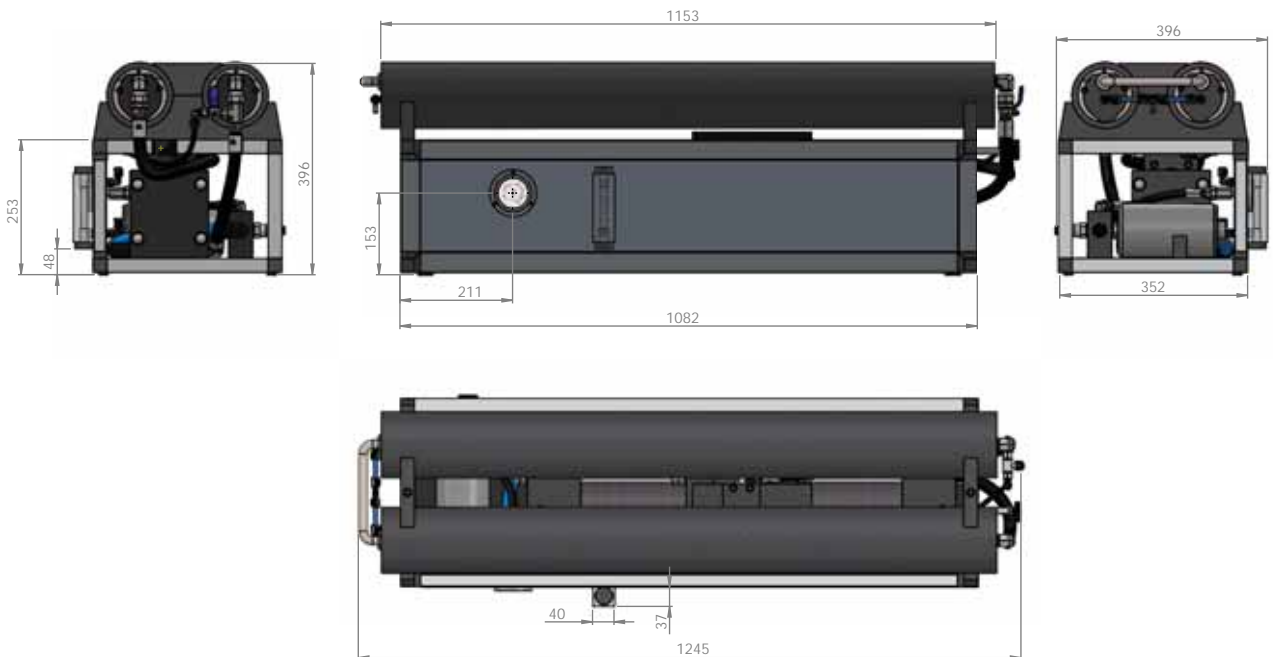
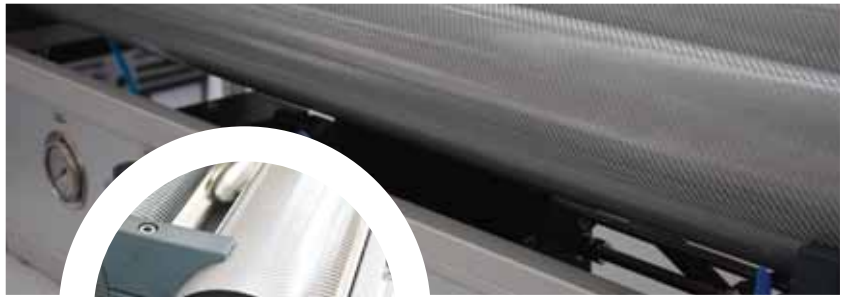
55/65 FEET SAILBOAT



50/60 FEET CATAMARAN



50/60 FEET POWERBOAT



MODULAR

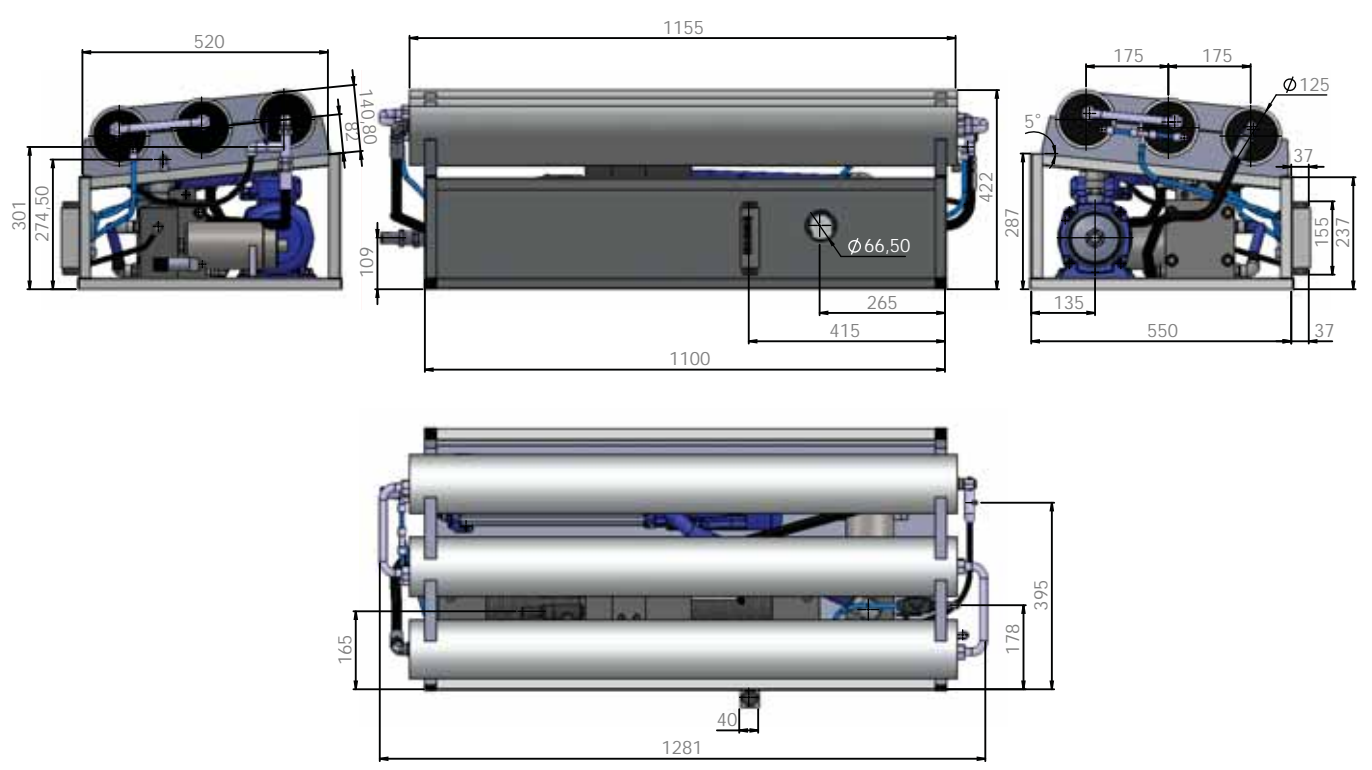
300 lit/h
Gal/h 79

Main pump inside
INVERTER TECHNOLOGY



| | |
|--------------|--------------------------|
| Power Supply | AC single or three phase |
| Consumption | 2,5 kW |
| Weight | 145 Kg |
| Membranes | n°3 4" x 40" |

- 12/14 PERSONS
- 60/70 FEET SAILBOAT
- 55/65 FEET CATAMARAN
- 55/65 FEET POWERBOAT



MODULAR

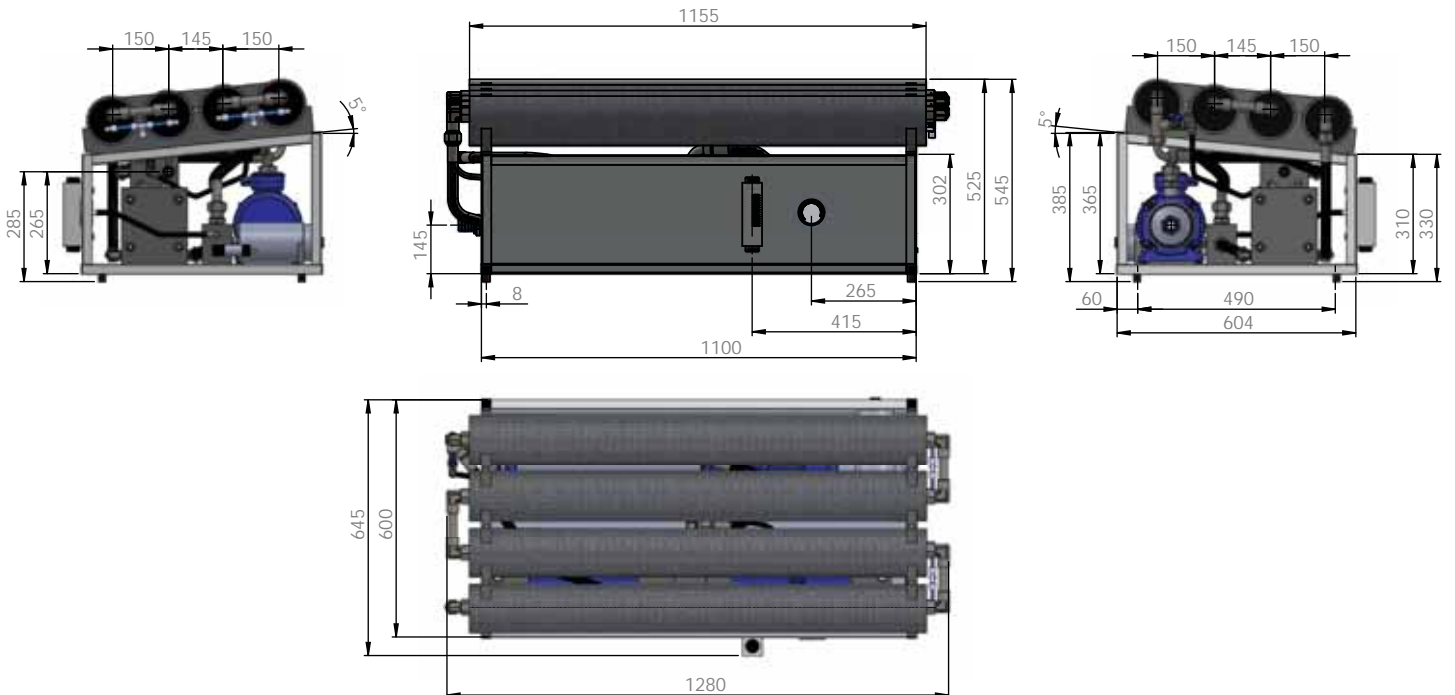
500 lit/h
Gal/h 132

Main pump inside
INVERTER TECHNOLOGY



| | |
|--------------|----------------|
| Power Supply | AC three phase |
| Consumption | 3,5 kW |
| Weight | 180 Kg |
| Membranes | n°4 4" x 40" |

- 14/20 PERSONS
- 70/100 FEET SAILBOAT
- 65/80 FEET CATAMARAN
- 65/80 FEET POWERBOAT



Remote panels

BASIC



Functions:

- Start/stop
- Back flush
- Timer

Dimension: 100 x 66 mm

Available for:

- Zen 30, 50, 100, 150
- Smart 30, 60, 80, 100
- Modular 35, 60, 100

DIGITAL



Functions:

- Remote Start/Stop
- Timer
- Automatic flushing
- Intensive flushing
- Periodic flushing
- Hours counter
- Automatic start up
- Assisted maintenance
- Salinity monitoring (optional)
- Control from tank level switches

Dimension: 135 x 115 mm

Available for:

- Smart 30, 60, 80, 100
- Modular 35, 60, 100, 150, 230, 300, 500

TOUCH



Functions:

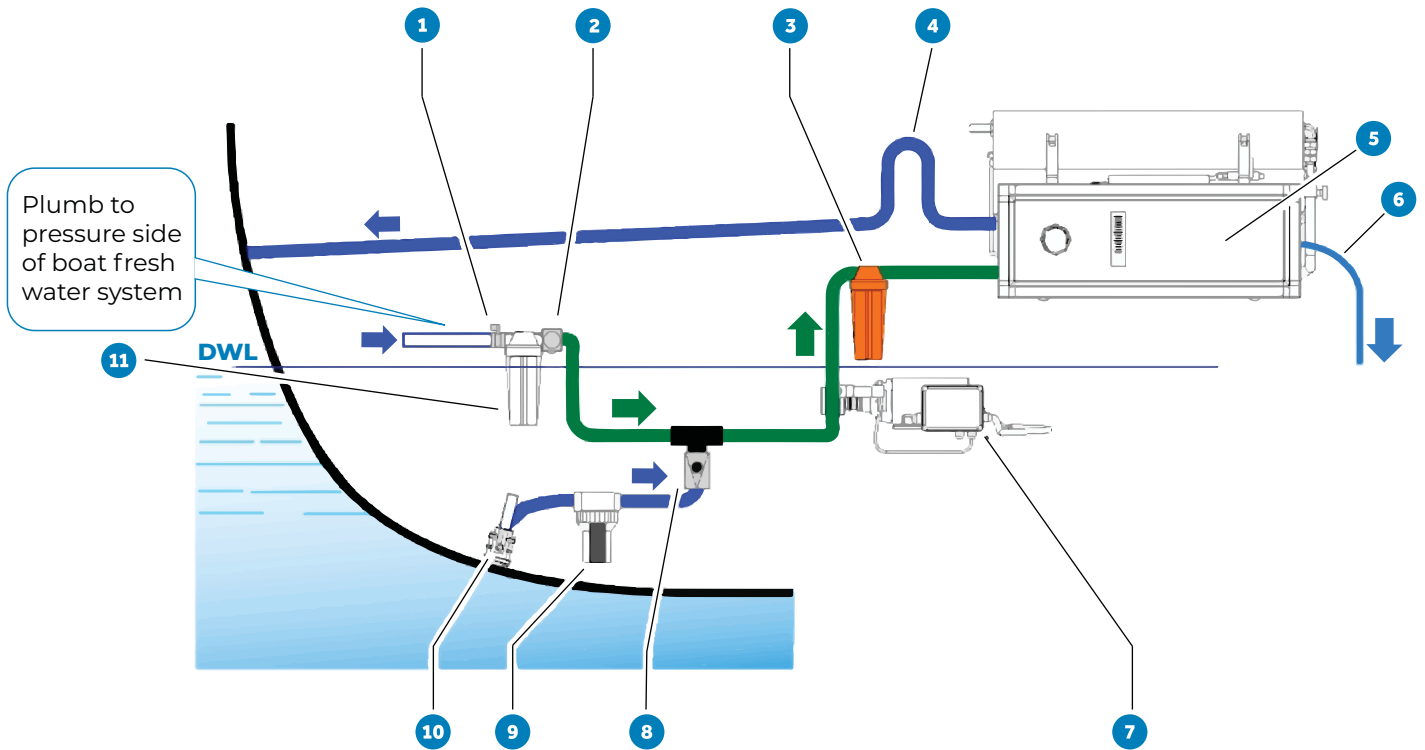
- Remote Start/Stop
- Timer
- Automatic flushing
- Intensive flushing
- Periodic flushing
- Hours counter
- Automatic start up
- Assisted maintenance
- Salinity monitoring (optional)
- Flow meter (optional)
- Pressure meter (optional)
- Control from tank level switches

Dimension: 120 x 80 mm

Available for:

- Zen 100, 150
- Zen twin 200, 300
- Smart 30, 60, 80, 100
- Modular 35, 60, 100, 150, 230, 300, 500

Typical installation

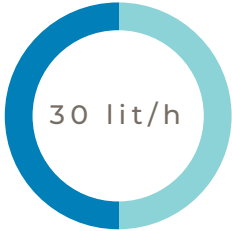


LEGEND

- | | | | |
|---|-------------------|----|----------------------|
| 1 | Fresh water valve | 7 | Feed pump |
| 2 | Solenoid valve | 8 | Check valve |
| 3 | 5 micron filter | 9 | Sea strainer |
| 4 | Siphon breaker | 10 | Intake |
| 5 | Watermaker | 11 | Active carbon filter |
| 6 | Production output | | |

Feed pumps

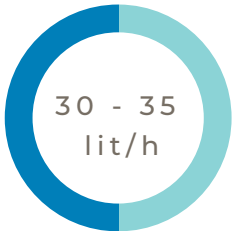
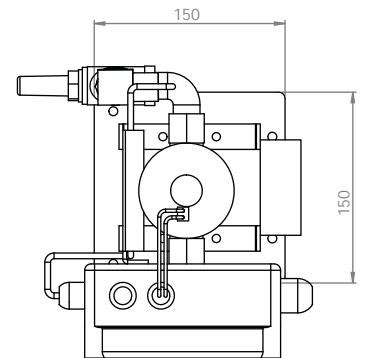
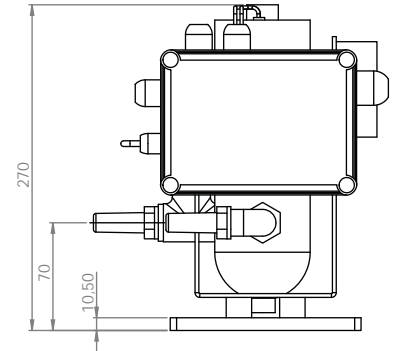
All watermakers in the 30-150 litres per hour range are fitted with a single feed pump. A choice of pump configurations offers flexible options when space is limited.



30 lit/h

AVAILABLE FOR

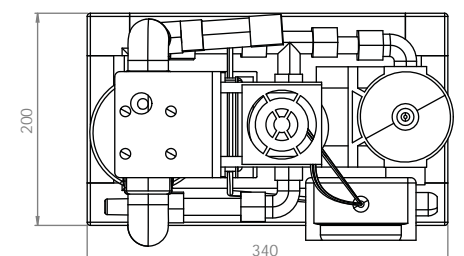
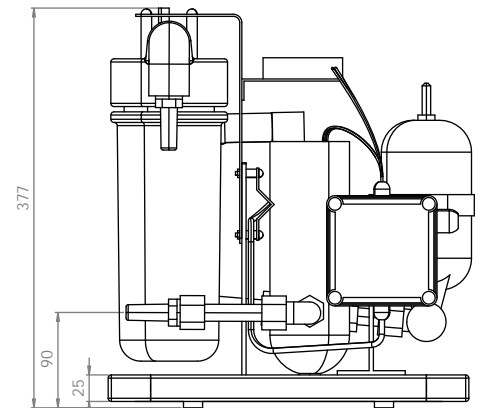
zen 30



30 - 35
lit/h

AVAILABLE FOR

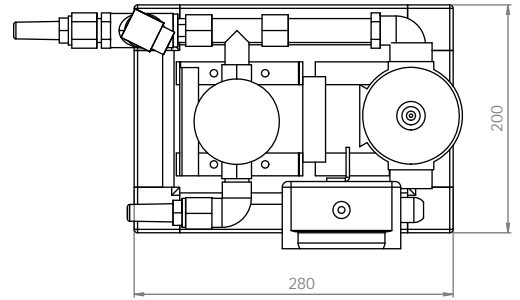
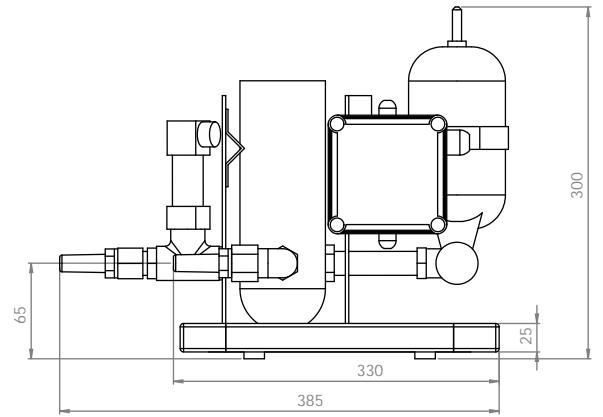
smart 30 | modular 35



30 - 35
lit/h

AVAILABLE FOR

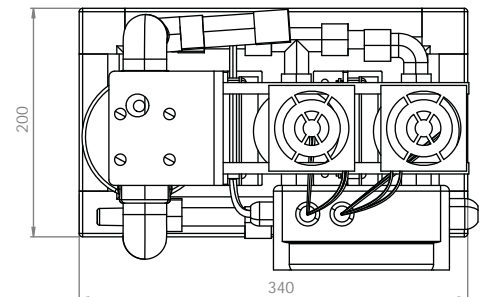
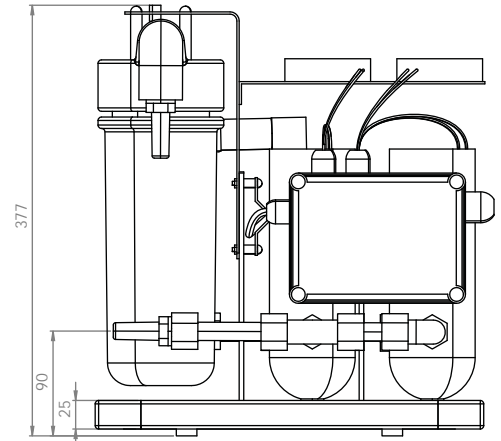
smart 30 | modular 35
with external filter



60 lit/h

AVAILABLE FOR

smart 60 | modular 60

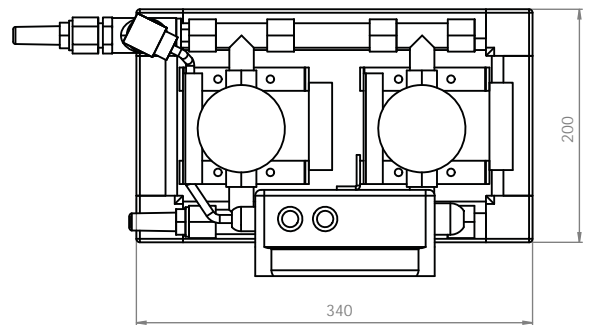
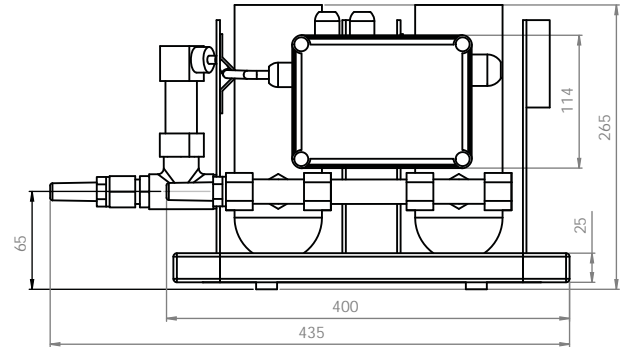


50 - 60
lit/h

AVAILABLE FOR

zen 50 | smart 60 | modular 60

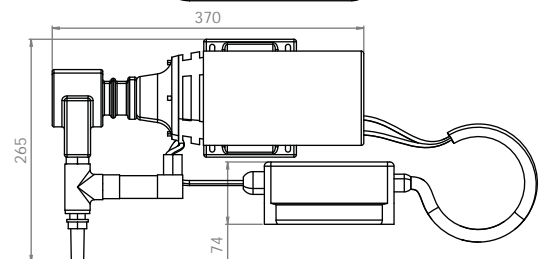
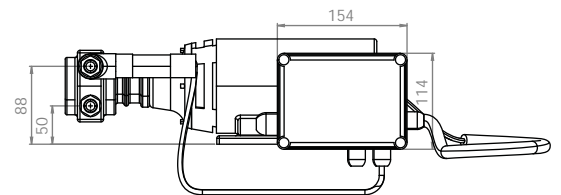
with external filter

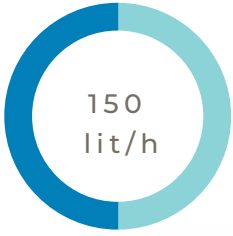


80 - 100
lit/h

AVAILABLE FOR

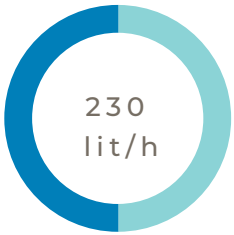
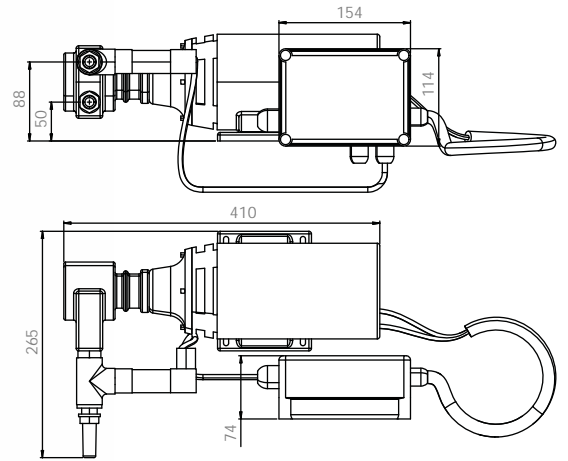
zen 100 | twin 200 | smart 80 | smart 100 | modular 100





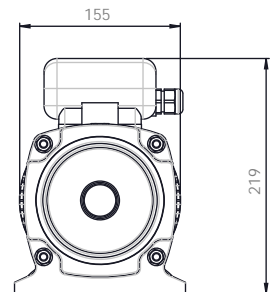
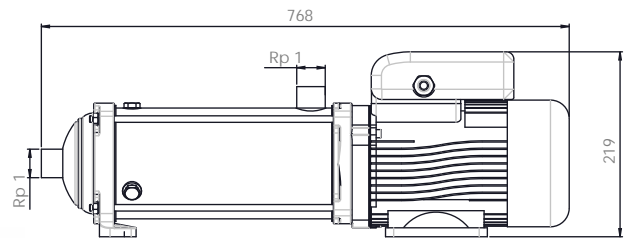
AVAILABLE FOR

zen 150 | twin 300 | modular 150



AVAILABLE FOR

modular 230

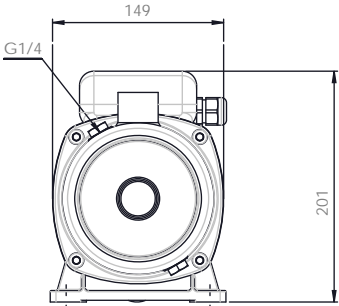
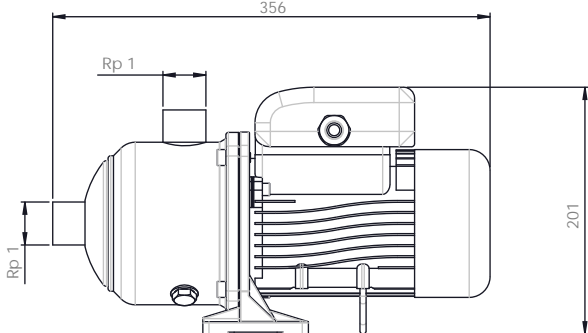


Pre pumps



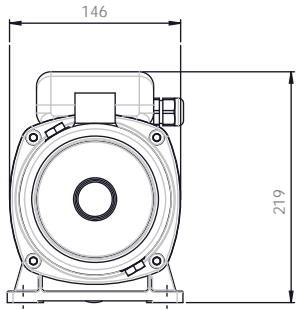
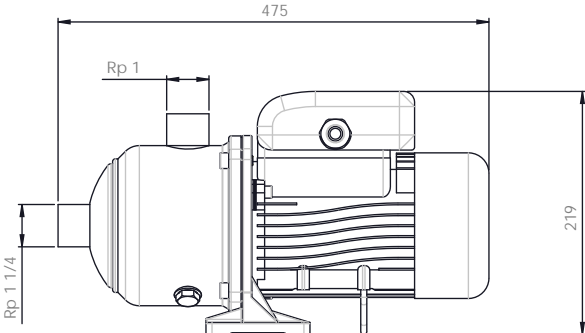
230 - 300
lit/h

AVAILABLE FOR modular 230 | modular 300

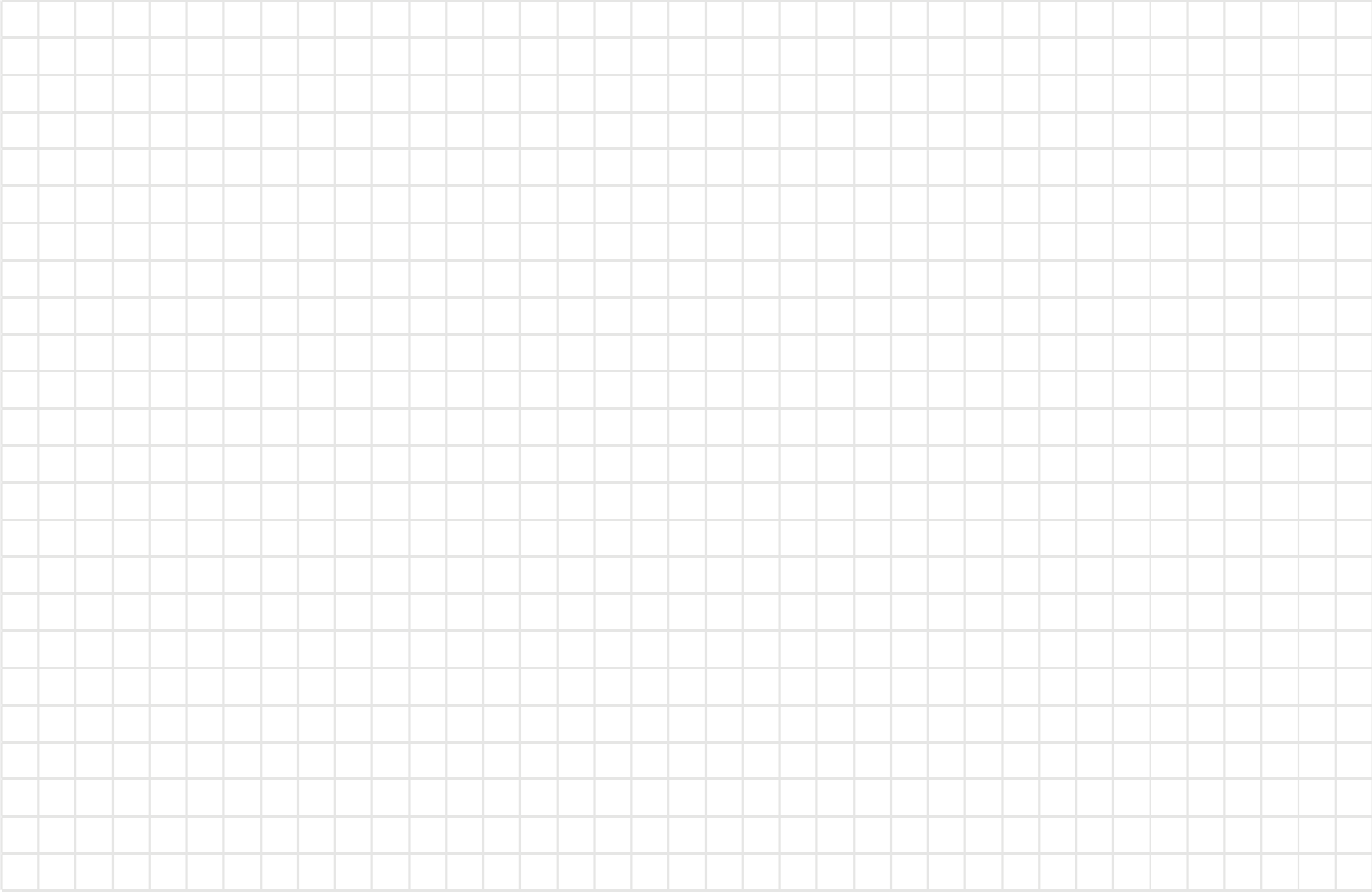
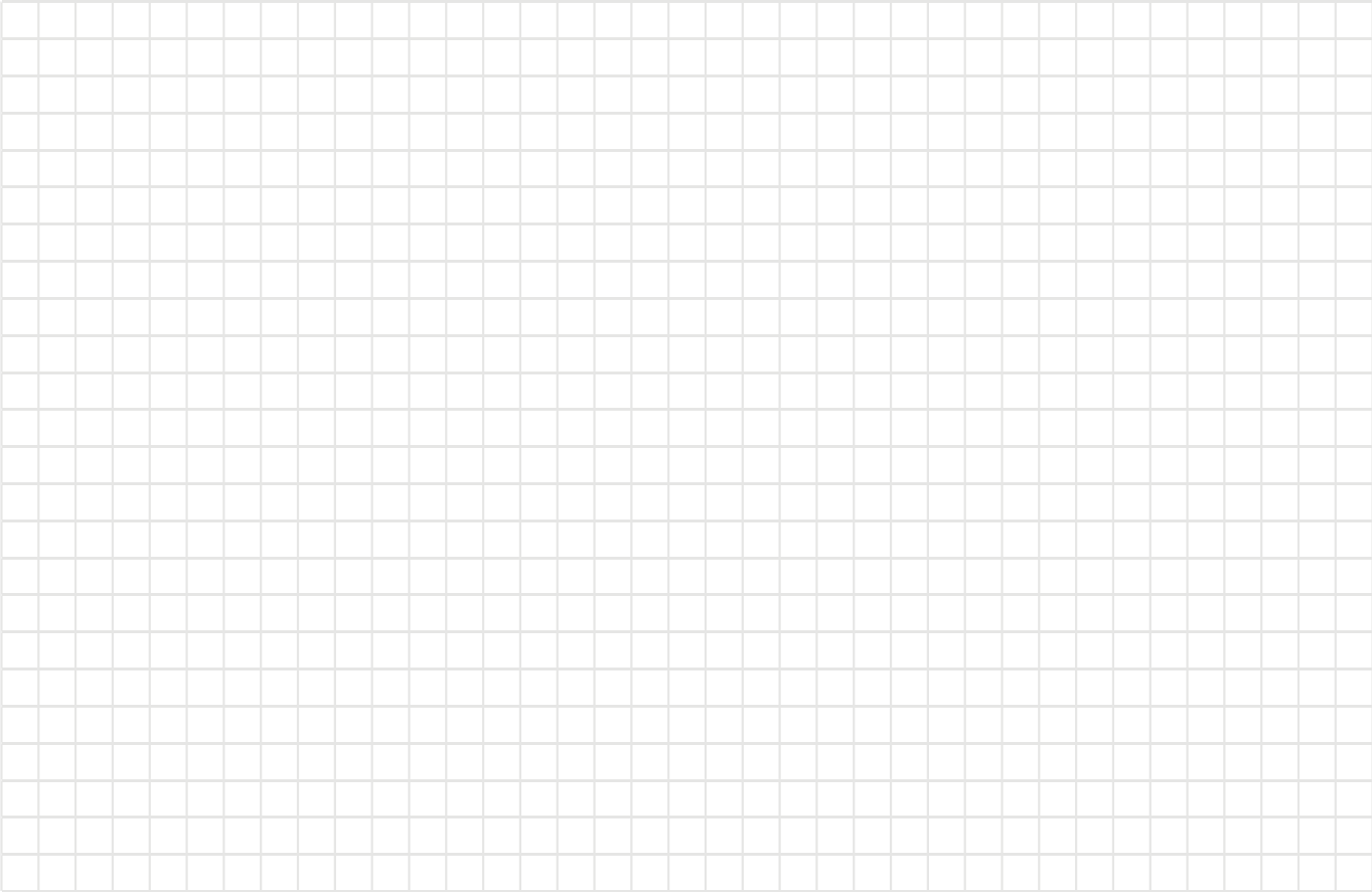


500
lit/h

AVAILABLE FOR modular 500



notes





WWW.SCHENKERWATERMAKERS.COM

Via Ferrante Imparato 499/501 | 80146 | Naples | Italy

Ph. +39 081 5593505 | Ph. +39 081 5590931 | Fax +39 081 5597372

e-mail: info@schenker.it



Schenker[®]
WATERMAKERS



The texts, the photographs and the drawings used in this brochure are the exclusive property of Schenker Italia S.r.L. and cannot be reproduced without explicit written authorisation. The descriptions and the technical data in this brochure should be considered for guidance only. Schenker Italia reserves the right to vary and modify them at any time without prior notice.