

## A2K-TER Micro Terminators

Use as each end of an NMEA 2000<sup>®</sup> backbone to ensure proper operation and signal integrity...

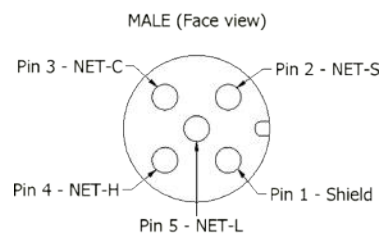
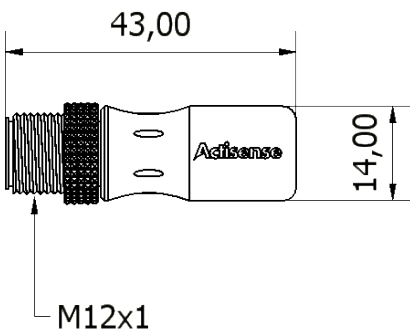
The Actisense NMEA 2000 terminators are for use at each end of an NMEA 2000 backbone to ensure proper operation and signal integrity.

The terminators have been designed by Actisense for quick and easy installation.

The robust design is available in both male and female versions.



Electrical	
Rated Current	4 A
Rated Voltage	25 V (AC/DC)
Mechanical	
Female Contact	Phosphor bronze, gold plated
Contact Carrier	PBT, black
Contact Polarisation	Standard M12 - "A" - polarisation
Mating Thread	M12
Screw Cap	Brass, nickel plated
O-Ring Seal	Rubber, black
Housing	PVC, black
Weight - Female	12 g
Weight - Male	13 g
Approvals and Certifications	
Protection	IP67 (when mated)
Operating Temperature	-20°C to +70°C
Storage Temperature	-40°C to +85°C
NMEA 2000 Certified	
RoHS Compliant	
UL Certified (UL1277)	



Name	Connector Pins
NET-L	Pin 5
NET-H	Pin 4
Shield	Pin 1
NET-S	Pin 2
NET-C	Pin 3

