



# AXIOM™ 2 PRO

MFD / CHARTPLOTTER

---

## INSTALLATION INSTRUCTIONS

English (en-US)  
Date: 10-2023  
Document number: 87443 (Rev 5)  
© 2023 Raymarine UK Limited

**Raymarine®**



## Legal notices

### Trademark and patents notice

**Raymarine, Tacktick, Pathfinder, ClearPulse, Truzoom, SeaTalk, SeaTalk<sup>hs</sup>, SeaTalkng**, and **Micronet**, are registered or claimed trademarks of Raymarine Belgium.

**FLIR, Fishidy, Fishing Hot Spots, YachtSense, DockSense, LightHouse, RangeFusion, DownVision, SideVision, RealVision, HyperVision, Dragonfly, Element, Quantum, Axiom, Instalert, Infrared Everywhere, The World's Sixth Sense** and **ClearCruise** are registered or claimed trademarks of FLIR Systems, Inc.

All other trademarks, trade names, or company names referenced herein are used for identification only and are the property of their respective owners.

This product is protected by patents, design patents, patents pending, or design patents pending.

### Fair Use Statement

You may print no more than three copies of this manual for your own use. You may not make any further copies or distribute or use the manual in any other way including without limitation exploiting the manual commercially or giving or selling copies to third parties.

### Content notice

Please ensure that you have obtained this document only from Raymarine®, and that it is the **latest** available version.

There are numerous third-party Internet websites (such as *www.manualslib.com*) hosting Raymarine product manuals. These websites are not authorized by Raymarine® to do so, and are often hosting illegitimate or older versions of Raymarine product manuals, which may contain inaccurate or misleading information.

To obtain the latest official documentation for a Raymarine® product, please visit the official Raymarine® website: [www.raymarine.com/manuals](http://www.raymarine.com/manuals)



# CONTENTS

<b>CHAPTER 1 IMPORTANT INFORMATION .....</b>	<b>10</b>		
Safety warnings .....	10		
Product warnings .....	10		
Regulatory notices .....	11		
Regulatory e-Label .....	11		
Declaration of Conformity .....	11		
RF exposure .....	11		
Compliance Statement (Part 15.19) .....	11		
FCC Interference Statement (Part 15.105 (b)) .....	11		
Innovation, Science and Economic Development Canada (ISED).....	12		
Innovation, Sciences et Développement économique Canada (Français) .....	12		
Disclaimer .....	12		
Electronic chart data.....	12		
Warranty registration.....	12		
Product disposal .....	13		
IMO and SOLAS .....	13		
Technical accuracy .....	13		
Publication copyright.....	13		
<b>CHAPTER 2 DOCUMENT INFORMATION .....</b>	<b>14</b>		
2.1 Applicable products .....	15		
2.2 Document information .....	15		
2.3 Document conventions.....	15		
2.4 Document illustrations.....	15		
2.5 Product documentation .....	15		
User manuals Print Shop .....	16		
2.6 LightHouse™ 4 operation instructions .....	16		
Multifunction display software version.....	16		
Software update considerations.....	16		
<b>CHAPTER 3 PRODUCT AND SYSTEM OVERVIEW .....</b>	<b>17</b>		
3.1 Product overview .....	18		
3.2 Typical systems.....	19		
<b>CHAPTER 4 COMPATIBLE TRANSDUCERS .....</b>	<b>21</b>		
4.1 Axiom® 2 Pro RVM variant — compatible transducers .....	22		
RealVision™ Max 3D transducers.....	22		
RealVision™ 3D transducers.....	22		
SideVision™ transducers .....	23		
DownVision™ transducers.....	24		
CPT-S conical beam transducers .....	24		
CHIRP transducers .....	24		
Traditional transducers.....	26		
4.2 Axiom 2 Pro S variant - compatible transducers .....	27		
CPT-S conical beam transducers .....	27		
<b>CHAPTER 5 PARTS SUPPLIED .....</b>	<b>29</b>		
5.1 Parts supplied - Axiom 2 Pro 9 / 12 .....	30		
5.2 Parts supplied - Axiom 2 Pro 16.....	31		

<b>CHAPTER 6 PRODUCT DIMENSIONS</b> .....	<b>32</b>		
6.1 Axiom 2 Pro dimensions .....	33		
<b>CHAPTER 7 LOCATION REQUIREMENTS</b> .....	<b>34</b>		
7.1 Warnings and cautions.....	35		
7.2 General location requirements .....	35		
Rear access requirements .....	35		
7.3 GNSS (GPS) location requirements .....	35		
7.4 Touchscreen location requirements.....	37		
7.5 Wireless location requirements for optimum performance .....	37		
7.6 Viewing angle considerations.....	38		
7.7 EMC installation guidelines.....	38		
RF interference .....	39		
Compass safe distance .....	39		
<b>CHAPTER 8 INSTALLATION</b> .....	<b>40</b>		
8.1 Replacing the lower keypad.....	41		
8.2 Mounting options .....	41		
8.3 Trunnion mounting — Axiom® 2 Pro 9 and Axiom® 2 Pro 12 .....	42		
Tools required (trunnion mount installations) .....	42		
Trunnion bracket mounting .....	42		
8.4 Trunnion mounting — Axiom® 2 Pro 16 .....	43		
Axiom 2 Pro 16 trunnion kit modification.....	43		
Tools required (trunnion mount installations) .....	43		
Display trunnion mounting preparation .....	43		
Trunnion bracket mounting .....	45		
8.5 Flush mounting .....	46		
Tools required (flush mount installations) .....	46		
Rear access requirements .....	46		
Preparing the mounting surface — flush mounting .....	46		
Flush mounting .....	47		
8.6 Surface mounting.....	48		
Tools required (surface mount installa- tions).....	48		
Rear access requirements .....	49		
Preparing the mounting surface — surface mounting .....	49		
Surface mounting .....	50		
<b>CHAPTER 9 CABLES AND CONNECTIONS — GENERAL INFORMATION</b> .....	<b>51</b>		
9.1 General cabling guidance .....	52		
Cable types and length .....	52		
Cable routing.....	52		
Strain relief .....	52		
Circuit isolation .....	52		
Cable shielding.....	52		
9.2 Connections overview — RVM variant displays.....	53		
9.3 Connections overview — S variant displays .....	53		
9.4 Connecting cables.....	54		
9.5 Bare-ended wire connections.....	54		

<b>CHAPTER 10 POWER CONNECTIONS</b> .....	<b>55</b>	<b>CHAPTER 14 VIDEO CONNECTIONS</b> .....	<b>72</b>
10.1 Power connection .....	56	14.1 Analog video connection.....	73
Inline fuse and thermal breaker ratings.....	56	14.2 HDMI Out connection .....	73
10.2 Power distribution .....	56	<b>CHAPTER 15 AUDIO CONNECTIONS</b> .....	<b>75</b>
10.3 Grounding — optional grounding point.....	59	15.1 Audio (RCA) connections.....	76
<b>CHAPTER 11 NETWORK CONNECTIONS</b> .....	<b>60</b>	<b>CHAPTER 16 USB CONNECTIONS</b> .....	<b>77</b>
11.1 Networking constraints .....	61	16.1 Accessory connection .....	78
11.2 NMEA 2000 / SeaTalk NG connection .....	62	Fitting suppression ferrites .....	78
11.3 NMEA 0183 connection.....	62	<b>CHAPTER 17 GPS ANTENNA CONNECTION</b> .....	<b>79</b>
11.4 Network connection .....	63	17.1 GNSS (GPS) antenna connection.....	80
Cable suppression ferrites.....	64	<b>CHAPTER 18 MAINTAINING YOUR DISPLAY</b> .....	<b>81</b>
11.5 Internet connection.....	64	18.1 Service and maintenance.....	82
YachtSense Link network connection.....	65	Routine equipment checks .....	82
Connecting to the internet using Wi-Fi .....	65	18.2 Product cleaning .....	82
Wi-Fi settings — Axiom 2 displays .....	65	Cleaning the display case .....	82
<b>CHAPTER 12 TRANSDUCER CONNECTIONS - AXIOM</b>		Cleaning the display screen.....	82
<b>2 PRO RVM</b> .....	<b>66</b>	Cleaning the sun cover .....	82
12.1 RealVision transducer connection.....	67	<b>CHAPTER 19 TROUBLESHOOTING</b> .....	<b>83</b>
RealVision transducer extension cables .....	67	19.1 Troubleshooting .....	84
12.2 SideVision, DownVision and CPT-S transducer		19.2 Power up troubleshooting.....	84
connection.....	68	Performing a power on reset on an Axiom® 2	
DownVision™ transducer extension cable .....	68	Pro display .....	85
12.3 CHIRP transducer connection .....	68	19.3 GNSS (GPS) troubleshooting.....	85
12.4 Traditional transducer connection .....	69	19.4 Sonar troubleshooting .....	86
<b>CHAPTER 13 TRANSDUCER CONNECTIONS - AXIOM</b>		19.5 Wi-Fi troubleshooting.....	88
<b>2 PRO S</b> .....	<b>70</b>		
13.1 CPT-S transducer connection.....	71		



19.6 Touchscreen troubleshooting .....	91	22.4 Physical specification .....	102
19.7 Miscellaneous troubleshooting .....	91	22.5 Connections specification.....	103
<b>CHAPTER 20 TECHNICAL SUPPORT.....</b>	<b>92</b>	22.6 Internal GNSS (GPS) receiver specifica- tion.....	103
20.1 Raymarine product support and servicing .....	93	22.7 RVM variant sonar specification.....	104
Viewing product information.....	94	Sonar channels.....	104
Remote Support via AnyDesk.....	94	Sonar range .....	104
20.2 Learning resources .....	94	Traditional sonar range .....	104
<b>CHAPTER 21 AXIOM 2 PRO 9 TECHNICAL SPECIFICATION .....</b>	<b>96</b>	22.8 S variant sonar specification .....	104
21.1 Power specification.....	97	22.9 Conformance/approvals .....	104
21.2 Environmental specification .....	97	22.10 Product markings .....	105
21.3 LCD specification .....	97	<b>CHAPTER 23 AXIOM 2 PRO 16 TECHNICAL SPECIFICATION .....</b>	<b>106</b>
21.4 Physical specification .....	97	23.1 Power specification.....	107
21.5 Internal GNSS (GPS) receiver specification.....	98	23.2 Environmental specification.....	107
21.6 Connections specification.....	98	23.3 LCD specification .....	107
21.7 RVM variant sonar specification.....	99	23.4 Physical specification .....	107
Sonar channels .....	99	23.5 Connections specification .....	108
Sonar range .....	99	23.6 Internal GNSS (GPS) receiver specifica- tion.....	108
Traditional sonar range .....	99	23.7 RVM variant sonar specification.....	109
21.8 S variant sonar specification .....	99	Sonar channels.....	109
21.9 Conformance/approvals .....	99	Sonar range .....	109
21.10 Product markings .....	100	Traditional sonar range .....	109
<b>CHAPTER 22 AXIOM 2 PRO 12 TECHNICAL SPECIFICATION .....</b>	<b>101</b>	23.8 S variant sonar specification.....	109
22.1 Power specification.....	102	23.9 Conformance/approvals.....	109
22.2 Environmental specification .....	102	23.10 Product markings .....	110
22.3 LCD specification.....	102	<b>CHAPTER 24 SPARES AND ACCESSORIES .....</b>	<b>111</b>



24.1 Compatible transducers .....	112
24.2 Spares .....	112
24.3 Accessories .....	112
Transducer cables .....	113
Legacy adapter plates .....	113
24.4 RayNet to RayNet cables and connectors .....	114
24.5 RayNet to RJ45, and RJ45 (SeaTalkhs) adapter cables .....	115
24.6 SeaTalkng® cables and accessories .....	117
APPENDIX A REPLACING THE NAME PLAQUE .....	121
APPENDIX B REPLACING THE CARD READER DOOR .....	123
APPENDIX C ORIGINAL TRUNNION KIT MOUNTING — AXIOM® 2 PRO 16 .....	124
APPENDIX D NMEA 2000 PGNS .....	126
APPENDIX E LEGACY ES AND GS SERIES COMPATIBILITY WITH AXIOM DISPLAYS .....	127
APPENDIX F ETHERNET (IPV4) NETWORKING OF RAYMARINE DEVICES WITH THIRD-PARTY PRODUCTS .....	128
APPENDIX G DOCUMENT CHANGE HISTORY .....	131

# CHAPTER 1: IMPORTANT INFORMATION

## Safety warnings



### Warning: Product installation and operation

- This product must be installed and operated in accordance with the instructions provided. Failure to do so could result in personal injury, damage to your vessel and/or poor product performance.
- Raymarine highly recommends certified installation by a Raymarine approved installer. A certified installation qualifies for enhanced product warranty benefits. Register your warranty on the Raymarine website: [www.raymarine.com/warranty](http://www.raymarine.com/warranty)



### Warning: High voltage

This product contains high voltage. Adjustments require specialized service procedures and tools only available to qualified service technicians. There are no user serviceable parts or adjustments. The operator should never remove the cover or attempt to service the product.



### Warning: Switch off power supply

Ensure the vessel's power supply is switched OFF before starting to install this product. Do NOT connect or disconnect equipment with the power switched on, unless instructed in this document.



### Warning: Potential ignition source

This product is NOT approved for use in hazardous/flammable atmospheres. Do NOT install in a hazardous/flammable atmosphere (such as in an engine room or near fuel tanks).

## Product warnings



### Warning: FCC Warning (Part 15.21)

Changes or modifications to this equipment not expressly approved in writing by Raymarine Incorporated could violate compliance with FCC rules and void the user's authority to operate the equipment.



### Warning: Positive ground systems

Do not connect this unit to a system which has positive grounding.



### Warning: Power supply voltage

Connecting this product to a voltage supply greater than the specified maximum rating may cause permanent damage to the unit. Refer to the product's information label for the correct voltage.



### Warning: Marine-grade sealant

Only use marine-grade neutral cure polyurethane sealants. Do NOT use sealants containing acetate or silicone, which can cause damage to plastic parts.



### Warning: Product grounding

Before applying power to this product, ensure it has been correctly grounded, in accordance with the instructions provided.



### Warning: Anti virus protection

The system does not include protection against computer viruses. Before inserting any memory device ensure it is free from computer viruses by scanning the device with a suitable anti virus application with up to date virus definitions.

### Caution: Product weight

- Refer to the technical specification for your product to ensure the intended mounting surface is suitable to bear its weight.
- 2 people may be required for installation of larger / heavier products.

### Caution: Power supply protection

When installing this product ensure the power source is adequately protected by means of a suitably-rated fuse or thermal circuit breaker.

### Caution: Sun covers

- If your product is supplied with a sun cover, to protect against the damaging effects of ultraviolet (UV) light, always fit the sun cover when the product is not in use.
- To avoid potential loss, sun covers must be removed when travelling at high speed, whether in water or when the vessel is being towed.

### Caution: Service and maintenance

This product contains no user serviceable components. Please refer all maintenance and repair to authorized Raymarine dealers. Unauthorized repair may affect your warranty.

## Regulatory notices

### Regulatory e-Label

All the applicable regulatory and compliance standards for your product are listed in electronic format in a regulatory “e-label” document, which can be viewed on your product’s display.

To access the Regulatory e-Label for your product:

From the Homescreen: *[Settings > Getting Started > Regulatory Approvals]*

[Important information](#)

## Declaration of Conformity

Raymarine UK Ltd declares that the products listed below are in compliance with the EMC Directive 2014/53/EU:

- Axiom® 2 Pro 9 S multifunction display, part number E70653
- Axiom® 2 Pro 9 RVM multifunction display, part number E70654
- Axiom® 2 Pro 12 S multifunction display, part number E70655
- Axiom® 2 Pro 12 RVM multifunction display, part number E70656
- Axiom® 2 Pro 16 S multifunction display, part number E70657
- Axiom® 2 Pro 16 RVM multifunction display, part number E70658

The original Declaration of Conformity certificate may be viewed on the relevant product page at [www.raymarine.com/manuals](http://www.raymarine.com/manuals)

## RF exposure

This equipment complies with FCC / ISED RF exposure limits for general population / uncontrolled exposure. The wireless LAN / Bluetooth antenna is mounted behind the front fascia of the display. This equipment should be installed and operated with a minimum distance of 1 cm (0.39 in) between the device and the body. This transmitter must not be co-located or operating in conjunction with any other antenna or transmitter, except in accordance with FCC multi-transmitter product procedures.

## Compliance Statement (Part 15.19)

This device complies with Part 15 of the FCC Rules. Operation is subject to the following two conditions:

1. This device may not cause harmful interference.
2. This device must accept any interference received, including interference that may cause undesired operation.

## FCC Interference Statement (Part 15.105 (b))

This equipment has been tested and found to comply with the limits for a Class B digital device, pursuant to Part 15 of the FCC Rules.

These limits are designed to provide reasonable protection against harmful interference in a residential installation. This equipment generates, uses, and can radiate radio frequency energy and, if not installed and used in accordance with the instructions, may cause harmful interference to radio communications. However, there is no guarantee that interference will

not occur in a particular installation. If this equipment does cause harmful interference to radio or television reception, which can be determined by turning the equipment off and on, the user is encouraged to try to correct the interference by one of the following measures:

1. Reorient or relocate the receiving antenna.
2. Increase the separation between the equipment and receiver.
3. Connect the equipment into an outlet on a circuit different from that to which the receiver is connected.
4. Consult the dealer or an experienced radio / TV technician for help.

## **Innovation, Science and Economic Development Canada (ISED)**

This device complies with License-exempt RSS standard(s).

Operation is subject to the following two conditions:

1. This device may not cause interference; and
2. This device must accept any interference, including interference that may cause undesired operation of the device.

This Class B digital apparatus complies with Canadian ICES-003.

## **Innovation, Sciences et Développement économique Canada (Français)**

Cet appareil est conforme aux normes d'exemption de licence RSS.

Son fonctionnement est soumis aux deux conditions suivantes:

1. cet appareil ne doit pas causer d'interférence, et
2. cet appareil doit accepter toute interférence, notamment les interférences qui peuvent affecter son fonctionnement.

Cet appareil numérique de la classe B est conforme à la norme NMB-003 du Canada.

## **Disclaimer**

Raymarine does not warrant that this product is error-free or that it is compatible with products manufactured by any person or entity other than Raymarine.

Raymarine is not responsible for damages or injuries caused by your use or inability to use the product, by the interaction of the product with products manufactured by others, or by errors in information utilized by the product supplied by third parties.

Third-party hardware, such as converters, adapters, routers, switches, Access Points etc., provided by third parties, may be made available directly to you by other companies or individuals under separate terms and conditions, including separate fees and charges. Raymarine UK Limited or its affiliates have not tested or screened the third-party hardware.

Raymarine has no control over, and is not responsible for:

- (a) the content and operation of such third-party hardware; or
- (b) the privacy or other practices of such third-party hardware.

The fact that Raymarine's documentation may make reference to such third-party hardware does not indicate any approval or endorsement of any such third-party hardware. Raymarine may reference such third-party hardware only as a convenience.

**THIS INFORMATION IS MADE AVAILABLE BY RAYMARINE UK LIMITED ON THE BASIS THAT YOU EXCLUDE TO THE FULLEST EXTENT LAWFULLY PERMITTED ALL LIABILITY WHATSOEVER FOR ANY LOSS OR DAMAGE HOWSOEVER ARISING OUT OF THE USE OF THIS INFORMATION OR RELIANCE UPON THIS INFORMATION.**

**Raymarine UK Limited** does not exclude **Raymarine UK Limited's** liability (if any) to you for personal injury or death resulting from **Raymarine UK Limited's** negligence, for fraud or for any matter which it would be illegal to exclude or to attempt to exclude.

## **Electronic chart data**

Raymarine does not warrant the accuracy of such information, and is not responsible for damages or injuries caused by errors in chart data or information utilized by the product and supplied by third parties. Use of electronic charts provided by third parties is subject to the supplier's End-User License Agreement (EULA).

## **Warranty registration**

To register your Raymarine product ownership, please visit [www.raymarine.com](http://www.raymarine.com) and register online.

It is important that you register your product to receive full warranty benefits. Your unit package includes a bar code label indicating the serial number of the unit. You will need this serial number when registering your product online. You should retain the label for future reference.

## Product disposal

Dispose of this product in accordance with the WEEE Directive.

The Waste Electrical and Electronic Equipment (WEEE) Directive requires the recycling of waste electrical and electronic equipment which contains materials, components and substances that may be hazardous and present a risk to human health and the environment when WEEE is not handled correctly.



Equipment marked with the crossed-out wheeled bin symbol indicates that the equipment should not be disposed of in unsorted household waste. Local authorities in many regions have established collection schemes under which residents can dispose of waste electrical and electronic equipment at a recycling center or other collection point. For more information about suitable collection points for waste electrical and electronic equipment in your region, refer to the Raymarine website: [www.raymarine.com/en-gb/policies/recycling](http://www.raymarine.com/en-gb/policies/recycling)

## IMO and SOLAS

The equipment described within this document is intended for use on leisure marine boats and workboats NOT covered by International Maritime Organization (IMO) and Safety of Life at Sea (SOLAS) Carriage Regulations.

## Technical accuracy

To the best of our knowledge, the information in this document was correct at the time it was produced. However, Raymarine cannot accept liability for any inaccuracies or omissions it may contain. In addition, our policy of continuous product improvement may change specifications without notice. As a result, Raymarine cannot accept liability for any differences between the product and this document. Please check the Raymarine website ([www.raymarine.com](http://www.raymarine.com)) to ensure you have the most up-to-date version(s) of the documentation for your product.

## Publication copyright

Copyright ©2023 Raymarine UK Ltd. All rights reserved. No parts of this material may be copied, translated, or transmitted (in any medium) without the prior written permission of Raymarine UK Ltd.

# CHAPTER 2: DOCUMENT INFORMATION

## CHAPTER CONTENTS

- 2.1 Applicable products — page 15
- 2.2 Document information — page 15
- 2.3 Document conventions — page 15
- 2.4 Document illustrations — page 15
- 2.5 Product documentation — page 15
- 2.6 LightHouse™ 4 operation instructions — page 16

## 2.1 Applicable products

This document is applicable to the following products:

- Axiom® 2 Pro 9 S multifunction display, part number E70653
- Axiom® 2 Pro 9 RVM multifunction display, part number E70654
- Axiom® 2 Pro 12 S multifunction display, part number E70655
- Axiom® 2 Pro 12 RVM multifunction display, part number E70656
- Axiom® 2 Pro 16 S multifunction display, part number E70657
- Axiom® 2 Pro 16 RVM multifunction display, part number E70658

## 2.2 Document information

This document contains important information related to the installation of your Raymarine® product.

The document includes information to help you:

- Plan your installation and ensure you have all the necessary equipment.
- Install and connect your product as part of a wider system of connected marine electronics.
- Troubleshoot problems and obtain technical support if required.

This and other Raymarine® product documents are available to download in PDF format from [www.raymarine.com/manuals](http://www.raymarine.com/manuals)

## 2.3 Document conventions

The following conventions are used throughout this document.

### Formatting of user interface menus and settings.

References to menus and setting options are formatted using square brackets [].

#### Examples:

- You can select your desired cartography from the *[Cartography selection]* menu.
- MFD apps are accessed from the *[Homescreen]*.

### Procedures for performing specific tasks using the product's user interface.

The term “**Select**” is used to refer to the action of:

- Touchscreen control — using your finger to select a menu option or item on the screen.
- Physical buttons — Highlighting an item using the navigational controls and confirming the selection by pressing the *[OK]* button.

#### Examples:

- Select *[Ok]* to confirm your selection.
- Select *[Set-up]*.

### Procedures for navigating menu hierarchies.

Menu hierarchies are used in this document to provide a quick summary on how to access a particular function or menu option.

#### Examples:

- The internal sonar module is turned off from the Fishfinder app menu: *[Menu > Set-up > Sounder Set-up > Internal Sounder]*.
- The internal GPS can be switched off from the GPS settings menu: *[Homescreen > Status area > Satellites > Settings > Internal GPS]*.

## 2.4 Document illustrations

Your product and if applicable, its user interface may differ slightly from that shown in the illustrations in this document, depending on product variant and date of manufacture.

All images are provided for illustration purposes only.

## 2.5 Product documentation

The following documentation is applicable to your product:

### Applicable documents

- **87443** — Axiom® 2 Pro Installation Instructions (This document)
- **81406** — LightHouse™ 4 Operation Instructions



- **87429** — Axiom® 2 Pro 9 Mounting Template
- **87430** — Axiom® 2 Pro 12 Mounting Template
- **87431** — Axiom® 2 Pro 16 Mounting Template

### Related documents

- **81367** — RMK-10 Remote Keypad Installation and Operation Instructions
- **87317** — RCR-SD/USB card reader Installation Instructions
- **87321** — Legacy MFD to Axiom Pro/Axiom 2 Pro adaptor plates installation instructions

These and other Raymarine product documents are available to download in PDF format from [www.raymarine.com/manuals](http://www.raymarine.com/manuals)

### User manuals Print Shop

Raymarine® provides a Print Shop service, enabling you to purchase a high-quality, professionally-printed manual for your Raymarine® product.

Printed manuals are ideal for keeping onboard your vessel, as a useful source of reference whenever you need assistance with your Raymarine product.

To order a printed manual, delivered directly to your door, visit: <http://www.raymarine.co.uk/view/?id=5175>

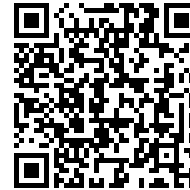
For further information about the Print Shop, please visit the Print Shop FAQ pages: <http://www.raymarine.co.uk/view/?id=5751>

#### Note:

- Accepted methods of payment for printed manuals are credit cards and PayPal.
- Printed manuals can be shipped worldwide.
- Further manuals will be added to the Print Shop over the coming months for both new and legacy products.
- Raymarine user manuals are also available to download free-of-charge from the Raymarine® website, in the popular PDF format. These PDF files can be viewed on a PC / laptop, tablet, smartphone, or on the latest generation of Raymarine® multifunction displays.

## 2.6 LightHouse™ 4 operation instructions

Please refer to the LightHouse™ 4 operation instructions for information on how to operate your product.



The LightHouse™ 4 operation Instructions (document number **81406**) can be downloaded from the Raymarine® website: [www.raymarine.com/manuals](http://www.raymarine.com/manuals). Please check the website to ensure you have the latest documentation.

### Multifunction display software version

To ensure optimum performance and compatibility with external devices, your multifunction display must be using the latest software version.

Visit [www.raymarine.com/software](http://www.raymarine.com/software) to download the latest software.

### Software update considerations

#### Important:

- Axiom 2 Pro displays running LightHouse 4 **v4.3.54** MUST first be upgraded to **v4.4.70**, before future software releases can be installed (i.e. versions later than **v4.4.70**).
- Once upgraded to LightHouse 4 **v4.4.70** or later, Axiom 2 Pro displays **cannot** be downgraded to versions *earlier than v4.4.70*.

# CHAPTER 3: PRODUCT AND SYSTEM OVERVIEW

## CHAPTER CONTENTS

- [3.1 Product overview — page 18](#)
- [3.2 Typical systems — page 19](#)

## 3.1 Product overview

Axiom® 2 Pro is a range of HybridTouch™ multifunction displays.



Features include:

- Full range of navigation, sonar, radar, data, entertainment and other apps available via the embedded LightHouse operating system.
- Available in 9, 12 and 16 inch screen sizes.
- Hexacore (6-core) processor.
- 64 GByte internal solid state storage, for user data.
- HybridTouch™ technology (physical buttons and multi-point touchscreen).
- Bright Hydrotough™ full HD IPS displays with nano-coated, impact-resistant glass repel water, oil, and smudges. Wide viewing angles and accurate touch controls.
- Ambient light sensor for automatic brightness adjustment.
- HDMI output (via Micro HDMI adapter cable, A80723).
- Audio output (via RCA connectors on supplied power/video/audio cable connected to external third-party amplifier/entertainment system).
- Analog video input (via BNC connector on supplied power/video/audio cable).

- 2 x Gigabit ethernet (RayNet) connections.
- NMEA 2000 DeviceNet connection (or SeaTalkng®, via the supplied adapter cable).
- NMEA 0183 connection available, via optional NMEA 0183 to NMEA 2000 convertor (part number: A80721).
- RVM variants include an Internal RealVision™ Max 3D and 1 kW CHIRP sonar module. (Backwards compatible with existing RealVision™ 3D transducers). RealVision™ Max 3D technology provides improved ping rates and tighter beamwidths, resulting in sharper sonar images, detailed wrecks, and distinct fish targets.
- S variants include an Internal 100 W CHIRP conical beam sonar module.
- Dual slot internal MicroSD card reader.
- Configurable lower keypad (pilot controls or user-programmable favorite buttons).
- Optional external SD card reader connection, via RCR-SDUSB card reader (part number: A80440).
- Optional external GNSS (GPS) passive antenna connection.
- Waterproof to IPx6 and IPx7 (suitable for above or below decks installation).

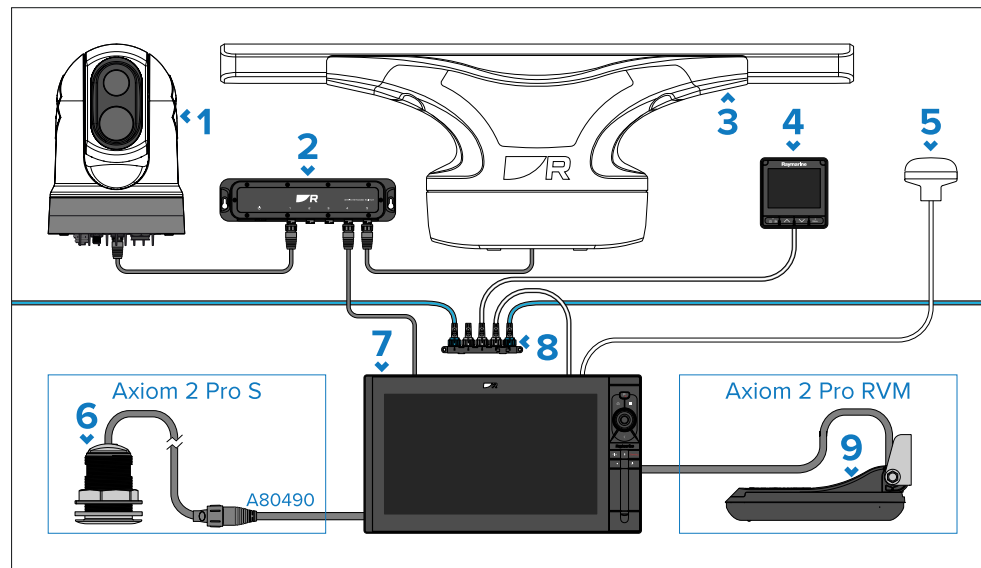
## 3.2 Typical systems

Examples of typical systems.

### Note:

Power supply connections are not shown in the following example. For details on how to connect power to your devices, refer to the power connection details in the applicable device instructions.

### Example basic system



1. Raymarine thermal camera (M300 illustrated).
2. Raymarine network switch (RNS-5 illustrated).
3. Raymarine radar scanner (Cyclone™ illustrated).
4. SeaTalk NG® instrument (i70s illustrated).
5. External GNSS antenna (e.g.: GA200, part number A80589).
6. Example Raymarine CHIRP sonar transducer, compatible with the Axiom 2 Pro S variant (CPT-S illustrated, connected via A80490 adaptor cable).
7. Axiom® 2 Pro display.
8. SeaTalk NG® 5-way block (terminated SeaTalk NG® CAN bus network).

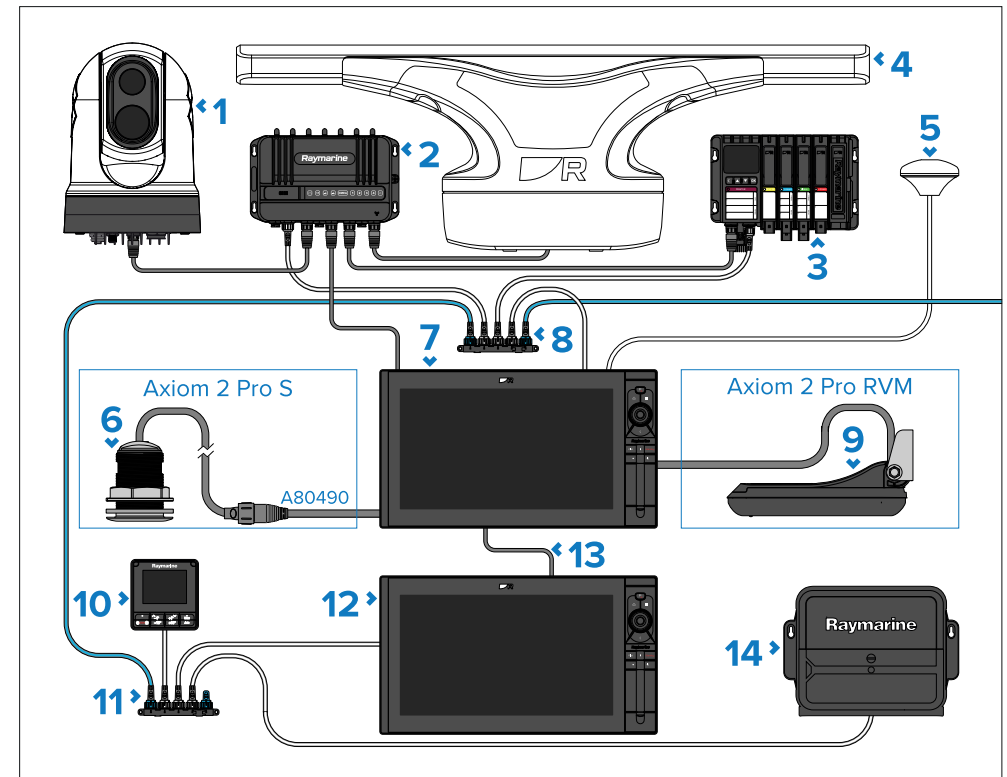
[Product and system overview](#)

9. Example Raymarine RealVision™ Max sonar transducer, compatible with the Axiom® 2 Pro RVM variant (RVM-100 illustrated).

### Note:

Power supply connections are not shown in the following example. For details on how to connect power to your devices, refer to the power connection details in the applicable device instructions.

### Example expanded system



1. Raymarine thermal camera (M300 illustrated).
2. YachtSense™ Link Marine Router.
3. YachtSense™ Digital Control System (Master module assembly illustrated).
4. Raymarine radar scanner (Cyclone™ illustrated).
5. External GNSS antenna (e.g.: GA200, part number A80589).

6. Example Raymarine CHIRP sonar transducer, compatible with the Axiom 2 Pro S variant (CPT-S illustrated, connected via A80490 adaptor cable).
7. Axiom® 2 Pro display.
8. SeaTalk NG® 5-way block (terminated SeaTalk NG® CAN bus network).
9. Example Raymarine RealVision™ Max sonar transducer, compatible with the Axiom 2 Pro RVM variant (RVM-100 illustrated).
10. Autopilot controller (p70s illustrated).
11. SeaTalk NG® 5-way block (terminated SeaTalk NG® CAN bus network).
12. (Additional) Axiom® 2 Pro display.
13. RayNet network connection between Raymarine displays.
14. ACU Evolution autopilot (drive and EV sensor not shown).

---

**Note:**

Only the Datamaster MFD/Chartplotter requires a connection to the NMEA 2000/SeaTalk NG® network. Other MFDs/Chartplotters can be connected for data redundancy; however only the Datamaster MFD/Chartplotter will receive data from NMEA 2000/SeaTalk NG® devices. The Datamaster MFD/Chartplotter can bridge the data over the ethernet network to other MFDs/Chartplotters in the system.

# CHAPTER 4: COMPATIBLE TRANSDUCERS

## CHAPTER CONTENTS

- 4.1 Axiom® 2 Pro RVM variant — compatible transducers — page 22
- 4.2 Axiom 2 Pro S variant - compatible transducers — page 27

## 4.1 Axiom® 2 Pro RVM variant — compatible transducers

The following transducer types can be connected to the transducer connections on Axiom® 2 Pro RVM variant MFDs:

### RV / RVM connection:

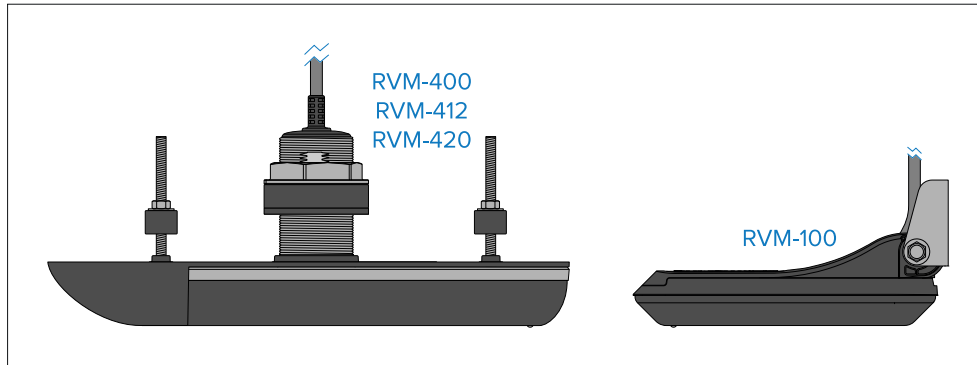
- [p.22 — RealVision™ Max 3D transducers](#)
- [p.22 — RealVision™ 3D transducers](#)
- [p.23 — SideVision™ transducers](#)
- [p.24 — DownVision™ transducers](#)
- [p.24 — CPT-S conical beam transducers](#)

### 1 kW connection:

- [p.24 — CHIRP transducers](#)
- [p.26 — Traditional transducers](#)

### RealVision™ Max 3D transducers

- RealVision™ Max 3D transducers connect directly to the 25-pin RV/RVM transducer connector.
- RealVision™ Max 3D split-pair transducers are supplied with a Y-cable (part number: A80478) and extension cable (part number: A80477) to connect both transducers to the 25-pin RV/RVM transducer connector.



### Transom mount transducers

Part number	Transducer description
A80703	<b>RVM-100</b> RealVision™ Max 3D plastic transducer

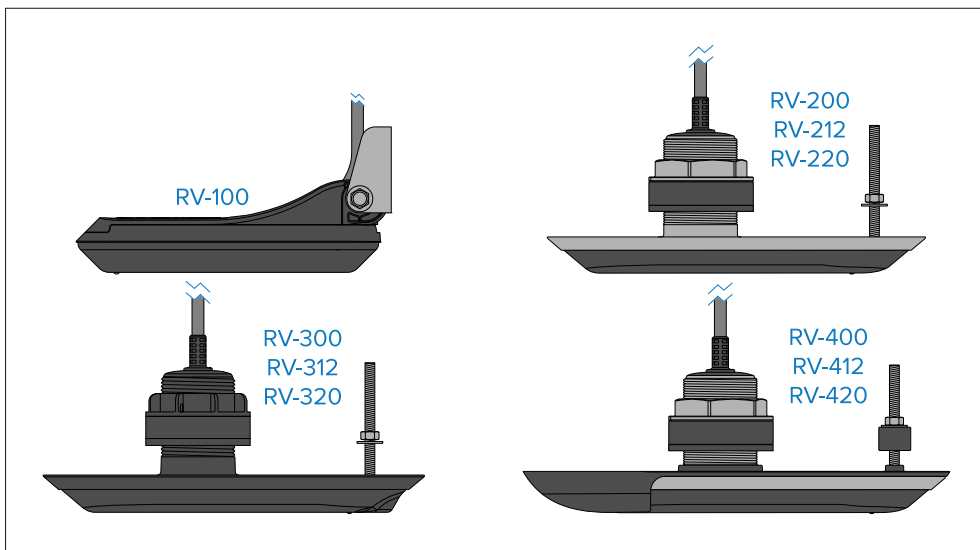
### Thru-hull mount transducers

Part number	Transducer description
A80704	<b>RVM-400</b> RealVision™ Max 3D stainless steel 0° transducer
<b>T70543:</b> A80705 A80706	<b>RVM-412P / RVM-412S</b> RealVision™ Max 3D stainless steel 12° split-pair transducers
<b>T70544:</b> A80707 A80708	<b>RVM-420P / RVM-420S</b> RealVision™ Max 3D stainless steel 20° split-pair transducers

### RealVision™ 3D transducers

- RealVision™ Max 3D transducers connect directly to the 25-pin RV/RVM transducer connector.
- RealVision™ Max 3D split-pair transducers are supplied with a Y-cable (part number: A80478) and extension cable (part number: A80477) to connect both transducers to the 25-pin RV/RVM transducer connector.





### Transom mount transducers

Part number	Transducer description
A80464	<b>RV-100</b> RealVision™ 3D plastic transducer

### Thru-hull mount transducers

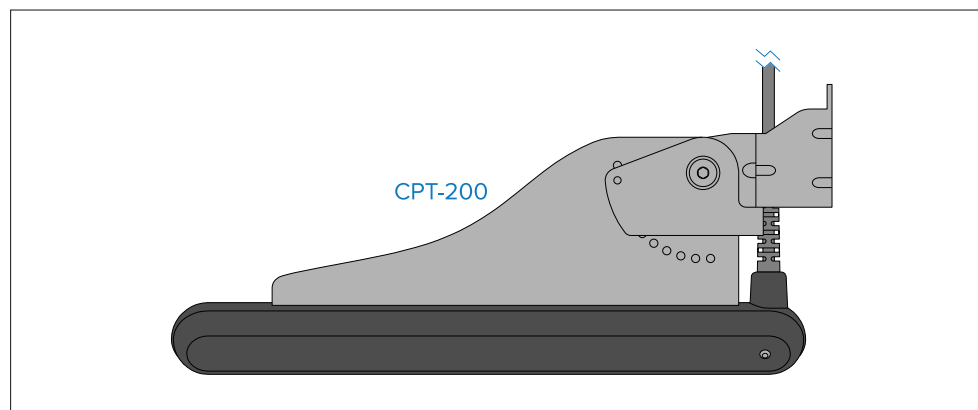
Part number	Transducer description
A80465	<b>RV-200</b> RealVision™ 3D bronze 0° transducer
<b>T70318:</b> A80466 A80467	<b>RV-212P / RV-212S</b> RealVision™ 3D bronze 12° split-pair transducers
<b>T70319:</b> A80468 A80469	<b>RV-220P / RV-220S</b> RealVision™ 3D bronze 20° split-pair transducers
A80470	<b>RV-300</b> RealVision™ 3D plastic 0° transducer
<b>T70320:</b> A80471 A80472	<b>RV-312P / RV-312S</b> RealVision™ 3D plastic 12° split-pair transducers

Compatible transducers

Part number	Transducer description
<b>T70321:</b> A90473 A80474 A80615	<b>RV-320P / RV-320S</b> RealVision™ 3D plastic 20° split-pair transducers
<b>T70450:</b> A80616 A80617	<b>RV-412P / RV-412S</b> RealVision™ 3D stainless steel 12° split-pair transducers
<b>T70451:</b> A80618 A80619	<b>RV-420P / RV-420S</b> RealVision™ 3D stainless steel 20° split-pair transducers

### SideVision™ transducers

SideVision™ transducers require an adapter cable (part number: A80490), and connect to the 25-pin RV/RVM transducer connector.

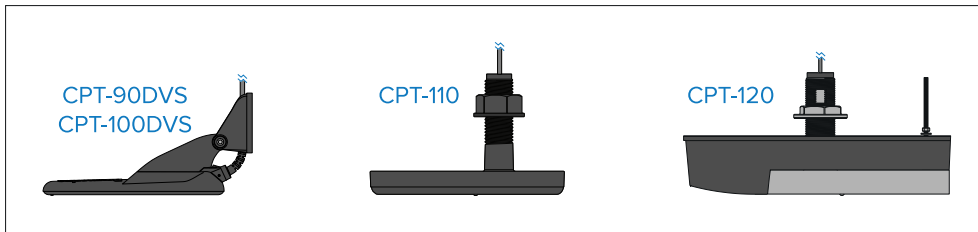


### Transom mount transducers

Part number	Transducer description
A80281	<b>CPT-200</b> SideVision™ stainless steel transducer

## DownVision™ transducers

DownVision™ transducers require an adapter cable (part number: A80490), and connect to the 25-pin RV/RVM transducer connector.



### Transom mount transducers

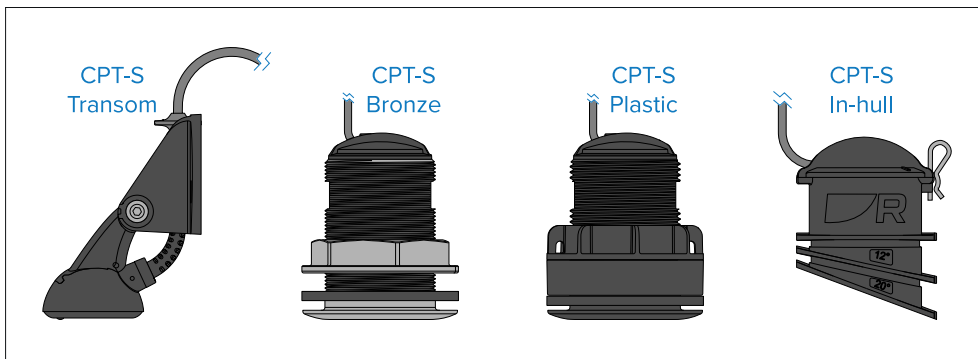
Part number	Transducer description
A80507	<b>CPT-90DVS</b> DownVision™ plastic transducer
A80351	<b>CPT-100DVS</b> DownVision™ plastic transducer

### Thru-hull mount transducers

Part number	Transducer description
A80277	<b>CPT-110</b> plastic transducer
A80350	<b>CPT-120</b> bronze transducer

## CPT-S conical beam transducers

- CPT-S transducers require an adapter cable (part number: A80490), and connect to the 25-pin RV/RVM transducer connector.
- CPT-S transducers do **NOT** offer DownVision™ capabilities.



## Transom mount transducers

Part number	Transducer description
E70342	<b>CPT-S</b> plastic transducer

## Thru-hull mount transducers

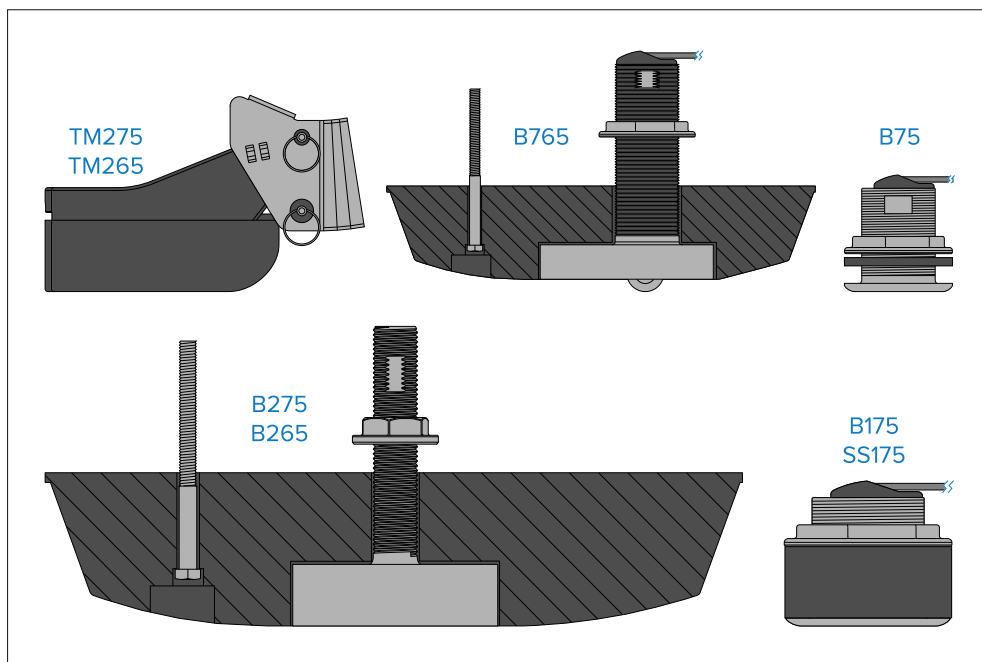
Part number	Transducer description
E70339	<b>CPT-S 0°</b> Angled element plastic transducer
A80448	<b>CPT-S 12°</b> Angled element plastic transducer
A80447	<b>CPT-S 20°</b> Angled element plastic transducer
A80446	<b>CPT-S 0°</b> Angled element bronze transducer
E70340	<b>CPT-S 12°</b> Angled element bronze transducer
E70341	<b>CPT-S 20°</b> Angled element bronze transducer

## In-hull mount transducers

Part number	Transducer description
A80691	<b>CPT-S</b> plastic transducer

## CHIRP transducers

- CHIRP transducers connect directly to the 11-pin 1kW transducer connector.
- CHIRP split-pair transducers require a Y-cable (part number: A102146).
- B75 & B175 transducers require an operation cable (part number: A80328).



### Transom mount transducers

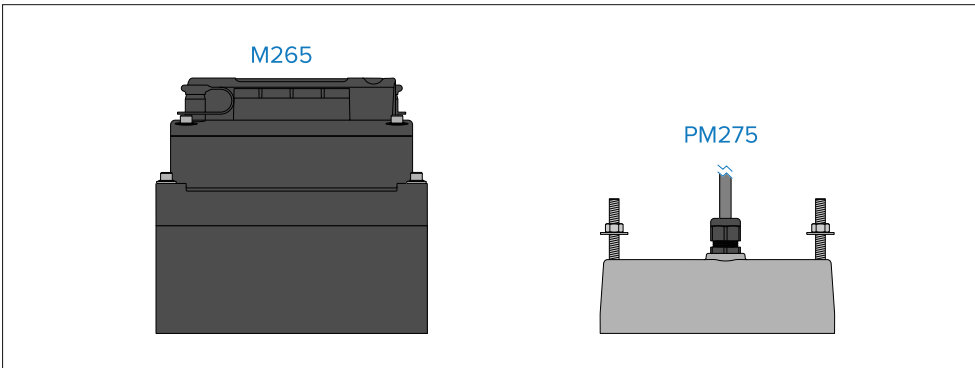
Part number	Transducer description
A80318	<b>TM275LH-W</b> plastic transducer
A80013	<b>TM265LH</b> plastic transducer
A80041	<b>TM265LM</b> plastic transducer

### Thru-hull mount transducers

Part number	Transducer description
A80319	<b>B175H-W 0°</b> angled element bronze transducer
A80320	<b>B175H-W 12°</b> angled element bronze transducer
A80321	<b>B175H-W 20°</b> angled element bronze transducer
A80506	<b>SS175H-W 20°</b> angled element stainless steel transducer
A80322	<b>B275LH-W 20°</b> bronze thru-hull mount transducer
A80016	<b>B75L 0°</b> angled element bronze transducer

Part number	Transducer description
A80017	<b>B75M 0°</b> angled element bronze transducer
A80018	<b>B75H 0°</b> angled element bronze transducer
T70060	<b>B75LH 0°</b> angled element bronze split-pair transducers
T70061	<b>B75LM 0°</b> angled element bronze split-pair transducers
T70062	<b>B75MH 0°</b> angled element bronze split-pair transducers
A80033	<b>B75L 12°</b> angled element bronze transducer
A80034	<b>B75M 12°</b> angled element bronze transducer
A80035	<b>B75H 12°</b> angled element bronze transducer
T70063	<b>B75LH 12°</b> angled element bronze split pair transducers
T70064	<b>B75LM 12°</b> angled element bronze split pair transducers
T70065	<b>B75MH 12°</b> angled element bronze split pair transducers
A80036	<b>B75M 20°</b> angled element bronze transducer
A80037	<b>B75H 20°</b> angled element bronze transducer
T70068	<b>B75MH 20°</b> angled element bronze split pair transducers
A80042	<b>B175L 0°</b> angled element bronze transducer
A80043	<b>B175M 0°</b> angled element bronze transducer
A80044	<b>B175H 0°</b> angled element bronze transducer
T70069	<b>B175LH 0°</b> angled element bronze split-pair transducers
T70070	<b>B175LM 0°</b> angled element bronze split-pair transducers
T70071	<b>B175MH 0°</b> angled element bronze split-pair transducers
A80045	<b>B175L 12°</b> angled element bronze transducer
A80046	<b>B175M 12°</b> angled element bronze transducer
A80047	<b>B175H 12°</b> angled element bronze transducer
T70072	<b>B175LH 12°</b> angled element bronze split-pair transducers
T70073	<b>B175LM 12°</b> angled element bronze split-pair transducers
T70074	<b>B175MH 12°</b> angled element bronze split-pair transducers
A80048	<b>B175L 20°</b> angled element bronze transducer

Part number	Transducer description
A80049	<b>B175M 20°</b> angled element bronze transducer
A80050	<b>B175H 20°</b> angled element bronze transducer
T70075	<b>B175LH 20°</b> angled element bronze split-pair transducers
T70076	<b>B175LM 20°</b> angled element bronze split-pair transducers
T70077	<b>B175MH 20°</b> angled element bronze split-pair transducers
A80504	<b>SS175L 20°</b> angled element stainless steel transducer
A80505	<b>SS175M 20°</b> angled element stainless steel transducer
A80014	<b>B765LH</b> bronze transducer
A80015	<b>B765LM</b> bronze transducer
A80010	<b>B265LH</b> bronze transducer
A80011	<b>B265LM</b> bronze transducer



### In-hull mount transducers

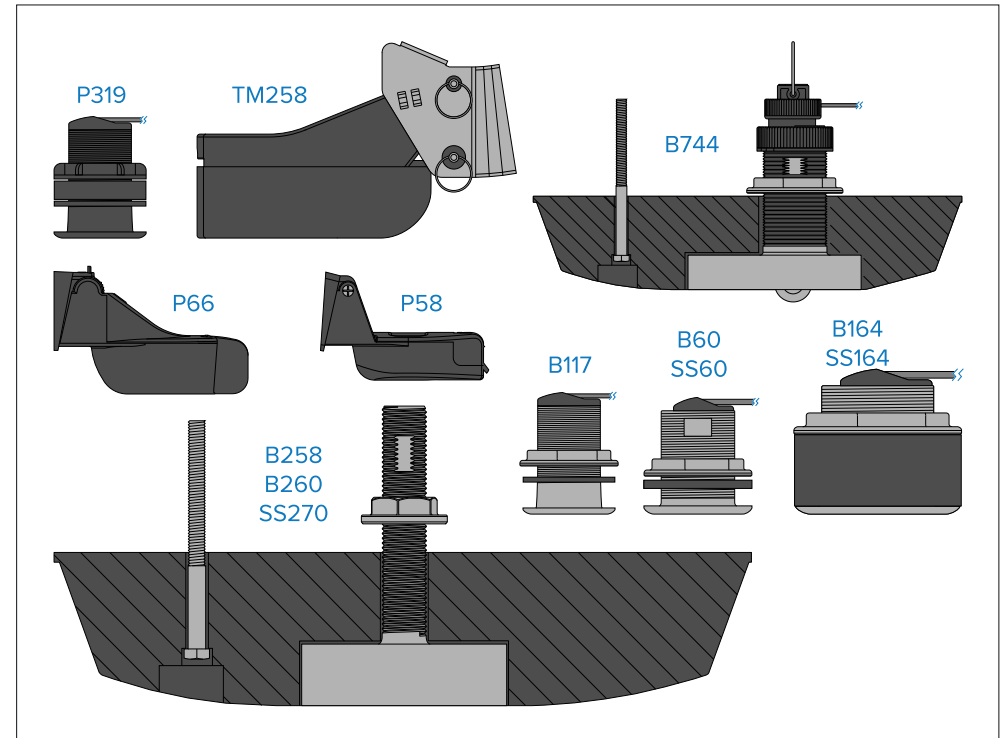
Part number	Transducer description
A80012	<b>M265LH</b> plastic transducer
A80038	<b>M265LM</b> plastic transducer

### Pocket / keel mount transducers

Part number	Transducer description
A80325	<b>PM275LH-W</b> bronze transducer

### Traditional transducers

Traditional transducers require an adapter cable (part number: A80496) and connect to the 11-pin 1kW transducer connector.



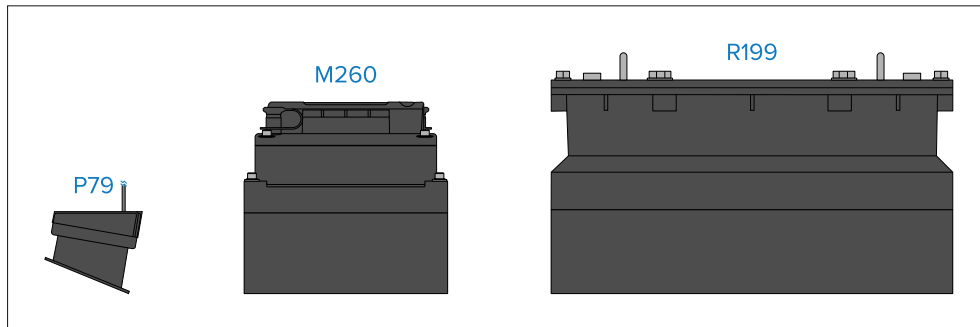
### Transom mount transducers

Part number	Transducer description
E66084	<b>TM258</b> plastic transducer
A80566	<b>P58</b> plastic transducer
E66054	<b>P66</b> plastic transducer

### Thru-hull mount transducers

Part number	Transducer description
E66013	<b>P319</b> plastic transducer
E66014	<b>B117</b> bronze transducer

Part number	Transducer description
E66086	<b>B60 12°</b> angled element bronze transducer
E66085	<b>B60 20°</b> angled element bronze transducer
A80568	<b>SS60 0°</b> angled element stainless steel transducer
A80569	<b>SS60 12°</b> angled element stainless steel transducer
A80570	<b>SS60 20°</b> angled element stainless steel transducer
A102137	<b>B164 0°</b> angled element bronze transducer
A102112	<b>B164 12°</b> angled element bronze transducer
A102113	<b>B164 20°</b> angled element bronze transducer
A80451	<b>SS164 0°</b> angled element stainless steel transducer
A66098	<b>SS164 12°</b> angled element stainless steel transducer
A66099	<b>SS164 20°</b> angled element stainless steel transducer
A66091	<b>B744V</b> bronze transducer
A66092	<b>B744VL</b> bronze transducer
E66082	<b>B258</b> bronze transducer
A102121	<b>SS270W</b> bronze transducer
E66079	<b>B260</b> bronze transducer



### In-hull mount transducers

Part number	Transducer description
E66008	<b>P79</b> plastic transducer
A66089	<b>M260</b> plastic transducer
E66076	<b>R199</b> plastic transducer

## 4.2 Axiom 2 Pro S variant - compatible transducers

The following transducer types can be connected to the transducer connection on Axiom® 2 Pro S variant MFDs:

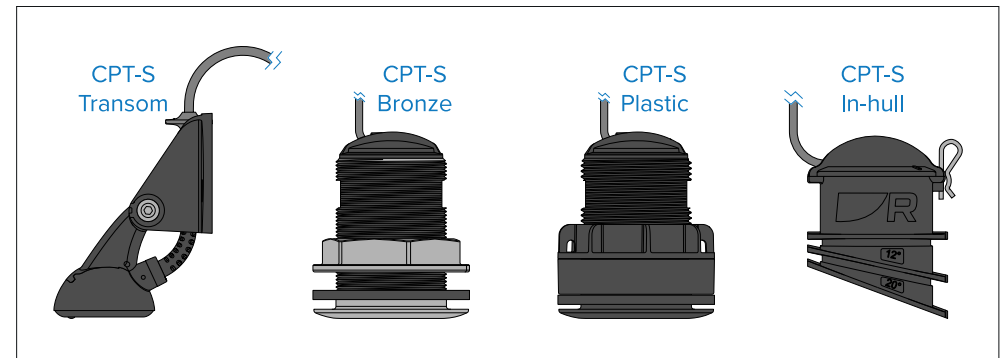
- [p.27 – CPT-S conical beam transducers](#)

#### Note:

You cannot connect RealVision 3D or RealVision Max 3D transducers to S variant Axiom 2 Pro MFDs.

### CPT-S conical beam transducers

All transducer connections require the 25-pin to 9-pin transducer adapter cable accessory (part number: A80490) and connect to the transducer connector. CPT-S transducers do **NOT** offer DownVision™ capabilities.



### Transom mount transducers

Part number	Transducer description
E70342	<b>CPT-S</b> plastic transducer

### Thru-hull mount transducers

Part number	Transducer description
E70339	<b>CPT-S 0°</b> Angled element plastic transducer
A80448	<b>CPT-S 12°</b> Angled element plastic transducer
A80447	<b>CPT-S 20°</b> Angled element plastic transducer
A80446	<b>CPT-S 0°</b> Angled element bronze transducer
E70340	<b>CPT-S 12°</b> Angled element bronze transducer
E70341	<b>CPT-S 20°</b> Angled element bronze transducer

### In-hull mount transducers

Part number	Transducer description
A80691	<b>CPT-S</b> plastic transducer

# CHAPTER 5: PARTS SUPPLIED

## CHAPTER CONTENTS

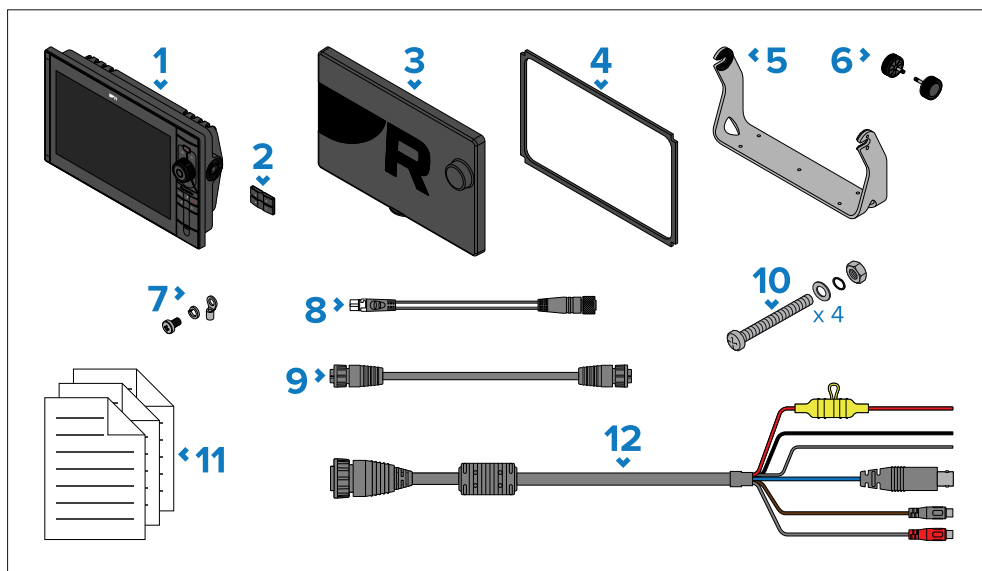
- [5.1 Parts supplied - Axiom 2 Pro 9 / 12 — page 30](#)
- [5.2 Parts supplied - Axiom 2 Pro 16 — page 31](#)



## 5.1 Parts supplied - Axiom 2 Pro 9 / 12

The following parts are supplied in the box.

Unpack your product carefully to prevent damage or loss of parts. Check the box contents against the list below. Retain the packaging and documentation for future reference.



Item	Description
1	Axiom® 2 Pro display
2	User-configurable lower keypad
3	Suncover
4	Mounting gasket
5	*Trunnion mounting bracket
6	Trunnion knobs
7	M3 x 5 screw, M3 spring washer and M3 crimp terminal (for optional grounding connection)
8	SeaTalkng™ to DeviceNet adaptor cable, 1 m (3.3 ft)
9	RayNet network cable, 2 m (6.6 ft)

Item	Description
10	Mounting fixings x 4 (including M4 x 40 bolts, M4 plain washers, M4 nuts)
11	Documentation
12	Power/video/audio cable, 1.5 m (4.92 ft)

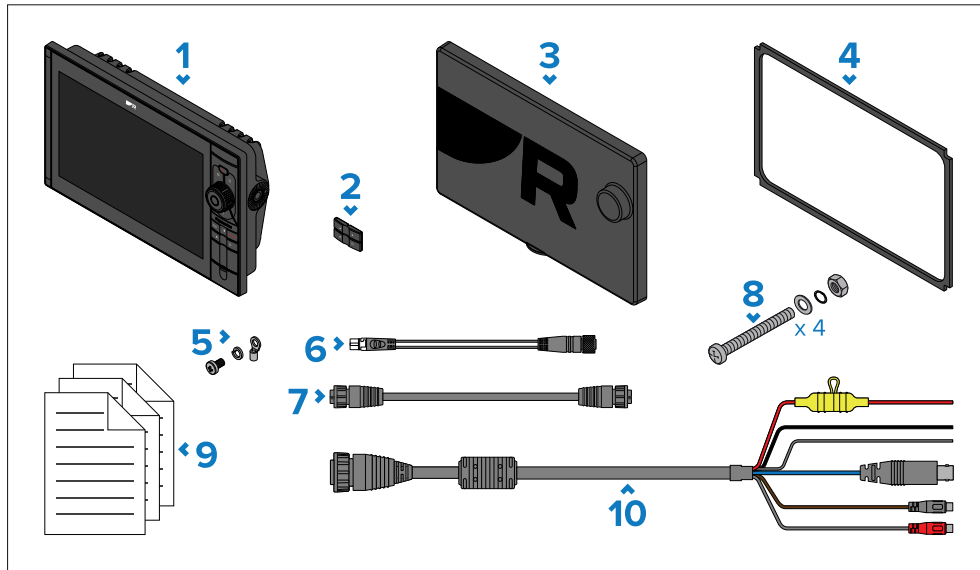
### Note:

\*Fixings to secure the trunnion bracket to a mounting surface are not provided. 5 x self-tapping screws are required. The screws should be suitable for the mounting surface material and the 5.75 mm (0.23 in) diameter mounting holes in the trunnion bracket.

## 5.2 Parts supplied - Axiom 2 Pro 16

The following parts are supplied in the box.

Unpack your product carefully to prevent damage or loss of parts. Check the box contents against the list below. Retain the packaging and documentation for future reference.



Item	Description
9	Documentation
10	Power/video/audio cable, 1.5 m (4.92 ft)

Item	Description
1	Axiom® 2 Pro display
2	User-configurable lower keypad
3	Suncover
4	Mounting gasket
5	M3 x 5 screw, M3 spring washer and M3 crimp terminal (for optional grounding connection)
6	SeaTalkng™ to DeviceNet adaptor cable, 1 m (3.3 ft)
7	RayNet network cable, 2 m (6.6 ft)
8	Mounting fixings x 4 (including M4 x 40 bolts, M4 plain washers, M4 nuts)

# CHAPTER 6: PRODUCT DIMENSIONS

## CHAPTER CONTENTS

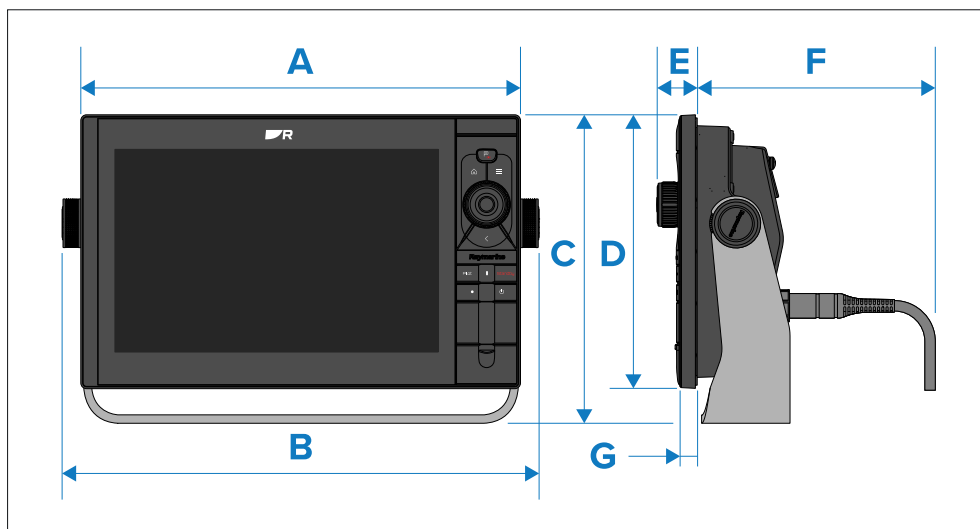
- [6.1 Axiom 2 Pro dimensions — page 33](#)

## 6.1 Axiom 2 Pro dimensions

Display dimensions and cable allowances. Dimensions provided are approximations only; actual dimensions required may differ.

### Note:

A trunnion bracket is included with the Axiom® 2 Pro 9 and Axiom® 2 Pro 12 displays. For the Axiom® 2 Pro 16 the trunnion bracket is a separate accessory (part number: A80722).



	Axiom 2 Pro 9	Axiom 2 Pro 12	Axiom 2 Pro 16
<b>A</b>	299.30 mm (11.78 in)	358.10 mm (14.10 in)	452.10 mm (17.80 in)
<b>B</b>	329.50 mm (12.97 in)	388.50 mm (15.3 in)	482.50 mm (19.00 in)
<b>C</b>	186.2 mm (7.33 in)	246.10 mm (9.69 in)	281.20 mm (11.10 in)
<b>D</b>	173.80 mm (6.84 in)	222.80 mm (8.77 in)	258.00 mm (10.16 in)
<b>E</b>	34.66 mm (1.36 in)	34.66 mm (1.36 in)	34.66 mm (1.36 in)

	Axiom 2 Pro 9	Axiom 2 Pro 12	Axiom 2 Pro 16
<b>F</b>	86.01 mm (3.39 in) to 201.40 mm (7.93 in)	85.86 mm (3.38 in) to 201.30 mm (7.93 in)	91.60 mm (3.61 in) to 208.50 mm (8.21 in)
	See 'Dimension F' table below for examples.	See 'Dimension F' table below for examples.	See 'Dimension F' table below for examples.
<b>G</b>	14.25 mm (0.56 in)	14.25 mm (0.56 in)	14.25 mm (0.56 in)

### Note:

- *Dimension F* is the depth required for surface mounting the display, when allowing for the space needed by connectors and their cable bend requirements. This depth requirement is variable, based on the cable connections required and the types of cable used in the installation.
- The minimum possible depth requirement reflects an installation with **only** a right-angled power cable connected.
- The maximum depth requirement reflects an installation with a straight RealVision transducer cable connected.

### Dimension F (cable bend allowances) — examples

	Axiom 2 Pro 9	Axiom 2 Pro 12	Axiom 2 Pro 16
<i>Straight RealVision transducer cable connected</i>	201.40 mm (7.93 in)	201.30 mm (7.93 in)	208.50 mm (8.21 in)
<i>Right-angled RealVision transducer cable connected</i>	86.01 mm (3.39 in)	85.86 mm (3.38 in)	91.60 mm (3.61 in)
<i>Axiom 25-pin to CPT-S 9-pin adaptor cable connected</i>	201.40 mm (7.93 in)	201.30 mm (7.93 in)	208.50 mm (8.21 in)
<i>Straight power cable connected</i>	169.46 mm (6.67 in)	169.32 mm (6.67 in)	175.06 mm (6.89 in)
<i>Right-angled power cable connected</i>	97.49 mm (3.84 in)	97.35 mm (3.83 in)	103.09 mm (4.06 in)

# CHAPTER 7: LOCATION REQUIREMENTS

## CHAPTER CONTENTS

- 7.1 Warnings and cautions — page 35
- 7.2 General location requirements — page 35
- 7.3 GNSS (GPS) location requirements — page 35
- 7.4 Touchscreen location requirements — page 37
- 7.5 Wireless location requirements for optimum performance — page 37
- 7.6 Viewing angle considerations — page 38
- 7.7 EMC installation guidelines — page 38

## 7.1 Warnings and cautions

### Important:

Before proceeding, ensure that you have read and understood the warnings and cautions provided in the following section of this document:

[p.10 — Important information](#)



### Warning: Potential ignition source

This product is NOT approved for use in hazardous/flammable atmospheres. Do NOT install in a hazardous/flammable atmosphere (such as in an engine room or near fuel tanks).

## 7.2 General location requirements

When selecting a location for your product it is important to consider a number of factors.

Factors for consideration:

- **Ventilation** — To ensure adequate airflow:
  - Ensure that product is mounted in a compartment of suitable size.
  - Ensure that ventilation holes are not obstructed. Allow adequate separation of all equipment.
- Any specific requirements for each system component are provided later in this chapter.
- **Mounting surface** — Ensure product is adequately supported on a secure surface. Do not mount units or cut holes in places which may damage the structure of the vessel.
- **Cabling** — Ensure the product is mounted in a location which allows proper routing, support and connection of cables:
  - Minimum bend radius of 100 mm (3.94 in) unless otherwise stated.
  - Use cable clips to prevent stress on connectors.
  - If your installation requires multiple ferrites to be added to a cable then additional cable clips should be used to ensure the extra weight of the cable is supported.

- **Water ingress** — The product is suitable for mounting both above and below decks. Although the unit is waterproof, it is good practice to locate it in a protected area away from prolonged and direct exposure to rain and salt spray.
- **Electrical interference** — Select a location that is far enough away from devices that may cause interference, such as motors, generators and radio transmitters / receivers.
- **Power supply** — Select a location that is as close as possible to the vessel's DC power source. This will help to keep cable runs to a minimum.

### Caution: Product weight

- Refer to the technical specification for your product to ensure the intended mounting surface is suitable to bear its weight.
- 2 people may be required for installation of larger / heavier products.

## Rear access requirements

Access to the rear of the display and mounting surface is required to surface and flush mount the display.

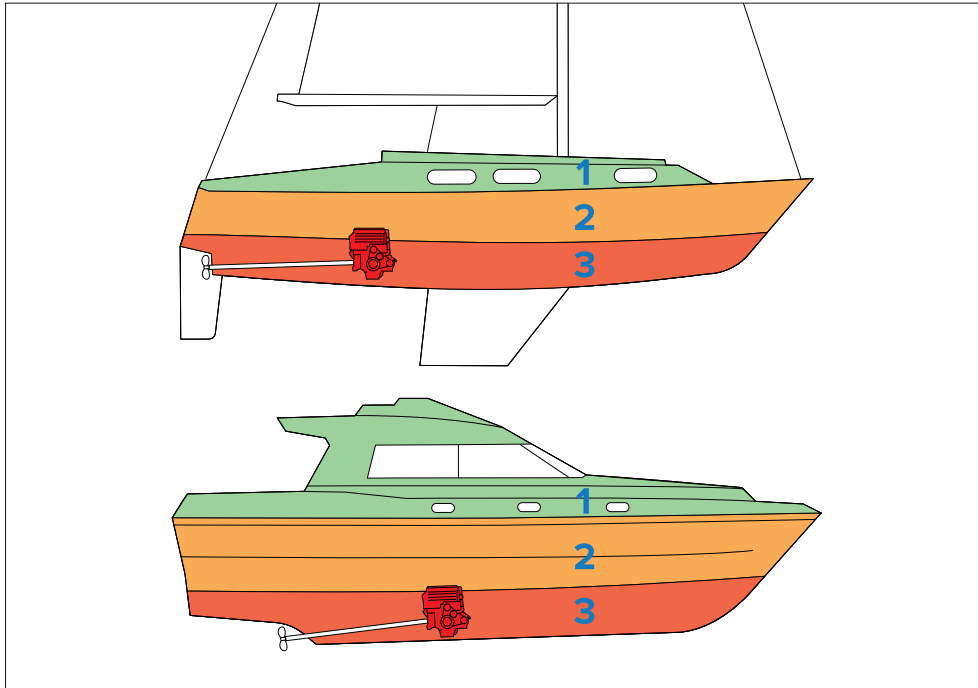
Ensure there is sufficient access and space behind the mounting surface to attach and tighten the fixings and also to connect the cables.

## 7.3 GNSS (GPS) location requirements

In addition to general guidelines concerning the location of marine electronics, there are a number of environmental factors to consider when installing equipment with an internal GNSS (GPS) receiver.




### Mounting location

- **Above Decks** (e.g. open air) mounting: Provides optimal performance. (For equipment with appropriate waterproof rating.)
- **Below Decks** (e.g. enclosed space) mounting: Performance may be less effective and may require an external antenna or receiver mounted above decks.



## Prevailing conditions

The weather and location of the vessel can affect performance. Typically calm clear conditions provide a more accurate position fix. Vessels at extreme northerly or southerly latitudes may also receive a weaker signal. An antenna mounted below decks will be more susceptible to performance issues related to the prevailing conditions.

Item	Color	Location
1		This location provides optimal performance (above decks).
2		In this location, performance may be less effective.
3		This location is NOT recommended.

## Vessel construction

The construction of your vessel can have an impact on performance. For example, the proximity of heavy structures such as a structural bulkhead, or the interior of larger vessels may result in a reduced signal. The construction materials can also have an impact. In particular, steel, aluminium or carbon surfaces can impact performance. Before locating equipment with an internal antenna below decks, or on a steel, aluminium or carbon construction vessel or surface, seek professional assistance.



## 7.4 Touchscreen location requirements

### Note:

Touchscreen performance can be affected by the installation environment, specifically Touchscreen displays installed above decks, where it will be open to the elements may exhibit the following:

- Hot Touchscreen temperature — If the display is mounted where it will be exposed to prolonged periods of direct sunlight, the touchscreen may become hot.
- Erroneous Touchscreen performance — Exposure to prolonged rain and / or water wash over may cause the display to respond to 'false touches', caused by the rain/water hitting the screen.

If, due to the required installation location, exposure to these elements is anticipated then it is recommended that you consider:

- Installing a remote keypad such as the RMK-10 and operating the display remotely — Touch-only displays.
- Locking the Touchscreen and using the physical buttons instead — HybridTouch displays.
- Attaching a third-party 'display hood accessory' to reduce direct sunlight exposure and the volume of water that the display is exposed to.

## 7.5 Wireless location requirements for optimum performance

All wireless devices in your system must be located in such a way that they can reliably receive and/or transmit wireless signals.

A number of factors can influence wireless performance. For example, physical obstacles and certain vessel structures and materials can all negatively impact wireless performance. Therefore, **it's important to check a product's wireless performance at the desired installation location before drilling any mounting holes.**

### Vessel construction and materials

Wherever possible, mount products on surfaces constructed from GRP (e.g. fiberglass resin, or foam), or on dry wooden bulkheads.

**Conductive materials in the signal path can have a significant impact on wireless signal performance.** Reflective surfaces such as metal surfaces, some types of glass and even mirrors can drastically affect performance or even block the wireless signal. Installation locations that are in close proximity to these materials should be avoided. **Do NOT mount wireless products directly to conductive materials.** This includes any mounting surface or enclosure/pod.

Examples of conductive materials include, but are not limited to:

- carbon fibre, kevlar, or aramid (including sails made from these materials)
- aluminium
- steel

In installations with conductive materials, if available, mount the wireless product using an accessory pole mount or deck mounting kit. A clearance of at least 10 cm (3.9 in) is required to minimize the ground effect from conductive materials. This applies to transmitters as well as displays. If moving the product fixes the problem, consider cutting an antenna clearance hole behind the unit (once the product position and mounting have been finalized).

Wireless performance can also be degraded in locations where the wireless signal passes through a bulkhead containing power cables.

Crew members (especially when wet) can also be obstructive to wireless signals, if their bodies pass through the signal area between wireless sensor and any associated displays.

### Checking and optimizing signal strength

It may be necessary to experiment with the location of your wireless products to achieve optimal wireless performance and a clear signal path.

The distance between wireless products should always be kept to a minimum. Do not exceed the maximum stated range of your wireless product (maximum range will vary for each device).

Wireless performance degrades over distance, so products farther away will receive less network bandwidth. Products installed close to their maximum wireless range may experience slow connection speeds, signal dropouts, or not being able to connect at all.

For best results, the wireless product should have a clear, direct line-of-sight to the product it will be connected to. Any physical obstructions can degrade or even block the wireless signal.

Some wireless products feature a signal strength indicator to assist in the process of determining the location with the best wireless performance. Choose the location with the highest and most consistently strong direct signal reading, during a 5 minute monitoring period. Try alternative locations for the transmitter to maximise the signal strength to the displays; e.g. try locations below a hatch or skylight or near to a window. A small change in product position can result in a significant change in the signal strength.

**Note:**

Some wireless products (e.g. a Hull Transmitter) will not transmit data unless a transducer is connected. Also consider that an NMEA or SeaTalkng product (e.g. an interface) will not transmit data unless an appropriate data source is connected.

## Interference and other equipment

Interference from other people's wireless devices can cause interference with your products. You can use a third-party wireless analyzer tool / smartphone app to assess the best wireless channel to use (e.g. a channel not in use or one used by the least number of devices).

Wireless products should be installed at least 1 m (3 ft) away from:

- Other wireless-enabled products
- Transmitting products that send wireless signals in the same frequency range
- Other electrical, electronic or electromagnetic equipment that may generate interference.

## Software updates

It's also important to ensure all your wireless products are running the latest software versions, as improvements are made over time to wireless performance.

## 7.6 Viewing angle considerations

As display contrast and color are affected by the viewing angle, It is recommended that you temporarily power up the display, prior to installation, to enable you to best judge which location provides the optimum viewing angle.

For viewing angles for your product refer to the *Technical specification*.

## 7.7 EMC installation guidelines

Raymarine® equipment and accessories conform to the appropriate Electromagnetic Compatibility (EMC) regulations, to minimize electromagnetic interference between equipment and minimize the effect such interference could have on the performance of your system.

Correct installation is required to ensure that EMC performance is not compromised.

**Note:**

In areas of extreme EMC interference, some slight interference may be noticed on the product. Where this occurs the product and the source of the interference should be separated by a greater distance.

For **optimum** EMC performance we recommend that wherever possible:

- Raymarine® equipment and cables connected to it are:
  - At least 1 m (3.3 ft) from any equipment transmitting or cables carrying radio signals e.g. VHF radios, cables and antennas. In the case of SSB radios, the distance should be increased to 2 m (6.6 ft).
  - More than 2 m (6.6 ft) from the path of a radar beam. A radar beam can normally be assumed to spread 20 degrees above and below the radiating element.
- The product is supplied from a separate battery from that used for engine start. This is important to prevent erratic behavior and data loss which can occur if the engine start does not have a separate battery.
- Raymarine® specified cables are used.
- Cables are not cut or extended, unless doing so is detailed in the installation manual.

**Note:**

**Where constraints on the installation prevent any of the above recommendations**, always ensure the maximum possible separation between different items of electrical equipment, to provide the best conditions for EMC performance throughout the installation.

## **RF interference**

Certain third-party external electrical equipment can cause Radio Frequency (RF) interference with GNSS (GPS), AIS or VHF devices, if the external equipment is not adequately insulated and emits excessive levels of electromagnetic interference (EMI).

Some common examples of such external equipment include LED lighting (e.g.: navigation lights, searchlights and floodlights, interior and exterior lights) and terrestrial TV tuners.

To minimize interference from such equipment:

- Keep it as far away from GNSS (GPS), AIS or VHF products and their antennas as possible.
- Ensure that any power cables for external equipment are not entangled with the power or data cables for these devices.
- Consider fitting one or more high frequency suppression ferrites to the EMI-emitting device. The ferrite(s) should be rated to be effective in the range 100 MHz to 2.5 GHz, and should be fitted to the power cable and any other cables exiting the EMI-emitting device, as close as possible to the position where the cable exits the device.

## **Compass safe distance**

To prevent potential interference with the vessel's magnetic compasses, ensure an adequate distance is maintained from the product.

When choosing a suitable location for the product you must aim to maintain a distance of at least 1 m (3.3 ft) in all directions from any compasses.

For some smaller vessels it may not be possible to locate the product this far away from a compass. In this situation, when choosing the installation location for your product, ensure that the compass is not affected by the product when it is in a powered on state.

# CHAPTER 8: INSTALLATION

## CHAPTER CONTENTS

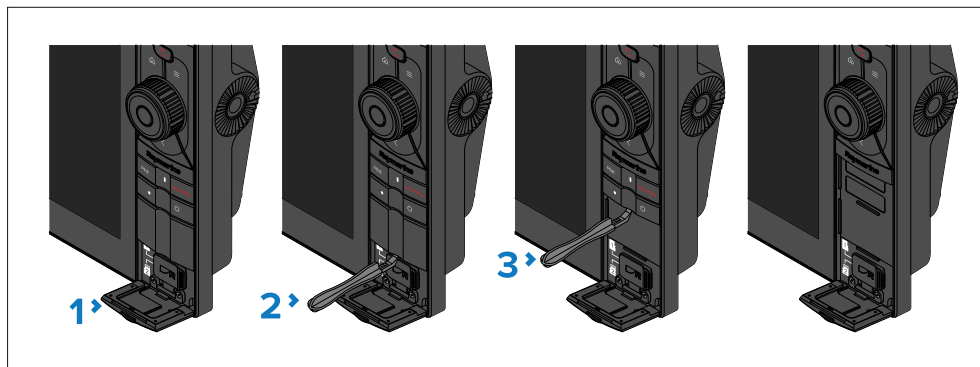
- 8.1 Replacing the lower keypad — page 41
- 8.2 Mounting options — page 41
- 8.3 Trunnion mounting — Axiom® 2 Pro 9 and Axiom® 2 Pro 12 — page 42
- 8.4 Trunnion mounting — Axiom® 2 Pro 16 — page 43
- 8.5 Flush mounting — page 46
- 8.6 Surface mounting — page 48

## 8.1 Replacing the lower keypad

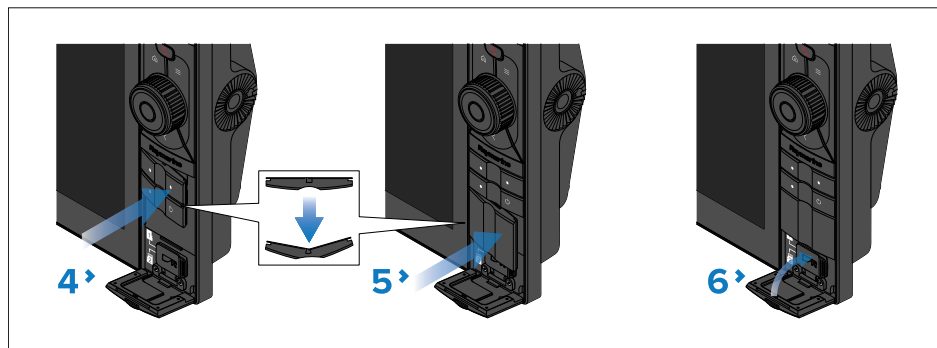
The display is supplied with the **pilot control** lower keypad fitted. If you will not be using the display as an autopilot controller, you can swap the pilot control keypad with the **user-configurable** lower keypad supplied with the display.

### Important:

Do NOT use metallic or sharp objects to remove the keypad or infill piece, as this could damage the keypad and/or display.



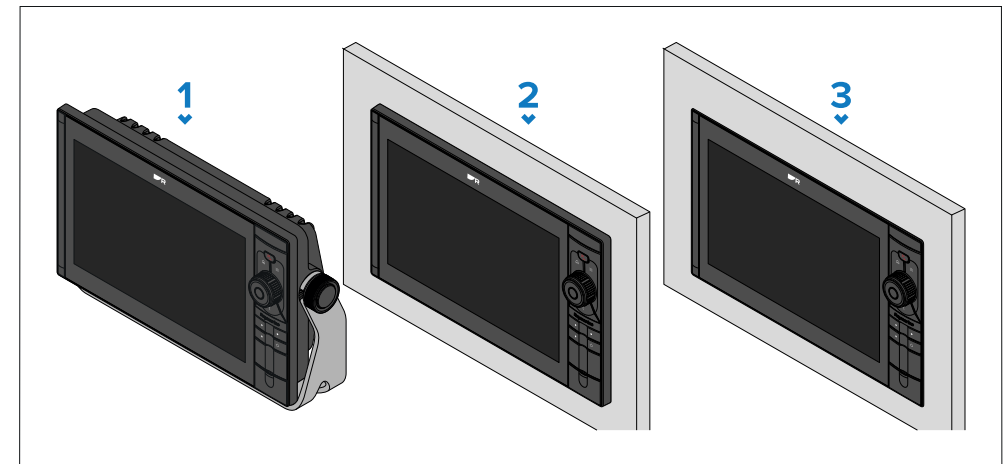
1. Open the card reader door.
2. Axiom 2 Pro 12 and Axiom 2 Pro 16 only — Using a plastic pry tool, lever the infill piece located below the lower keypad against the small plastic protrusion to release it from the display.
3. Using a plastic pry tool, lever the bottom of the keypad against the small plastic protrusion to release the keypad from the display.



4. Insert one edge of the replacement keypad and then bend the keypad slightly in the middle to allow the other edge to be inserted into the opposite side.
5. Axiom 2 Pro 12 and Axiom 2 Pro 16 only — Insert one edge of the infill piece and then bend the infill piece slightly in the middle to allow the other edge to be inserted into the opposite side.
6. Close the card reader door.

## 8.2 Mounting options

Axiom® 2 Pro displays can be surface, flush or bracket mounted.



1. Trunnion bracket mounting (used for mounting upright on a surface or can be used for mounting overhead). For installation details refer to: [p.42 – Trunnion mounting](#)
2. Surface mounting (when surface mounted the display bezel will protrude from the mounting surface). For installation details refer to: [p.48 – Surface mounting](#)
3. Flush mounting (when flush mounted the front glass of the display will sit flush with the mounting surface). For installation details refer to: [p.46 – Flush mounting](#)

Legacy MFD adaptor plates are also available to enable you to easily swap out older displays for new Axiom® 2 Pro displays. For a list of available adaptors refer to: [Legacy adaptor plates](#)

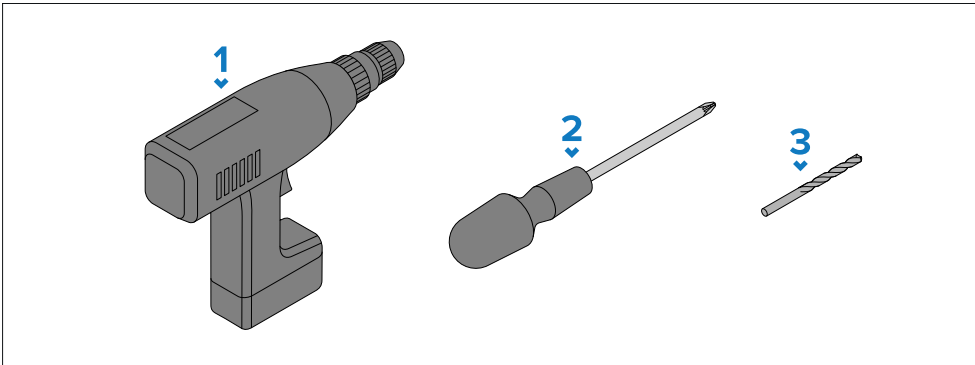
**Note:**

Replacing a trunnion mounted or surface mounted Axiom® Pro display with a new Axiom® 2 Pro display, **with the exception of the power cable**, is a straight swap with no hole drilling or cutting required.

## 8.3 Trunnion mounting — Axiom® 2 Pro 9 and Axiom® 2 Pro 12

### Tools required (trunnion mount installations)

The following tools are recommended for mounting using a trunnion bracket:



1. Power drill.
2. Screwdriver (appropriate for your fixings).
3. Drill bit (suitable for the material of the mounting surface and the 5.75 mm (0.23 in) diameter mounting holes in the trunnion bracket).

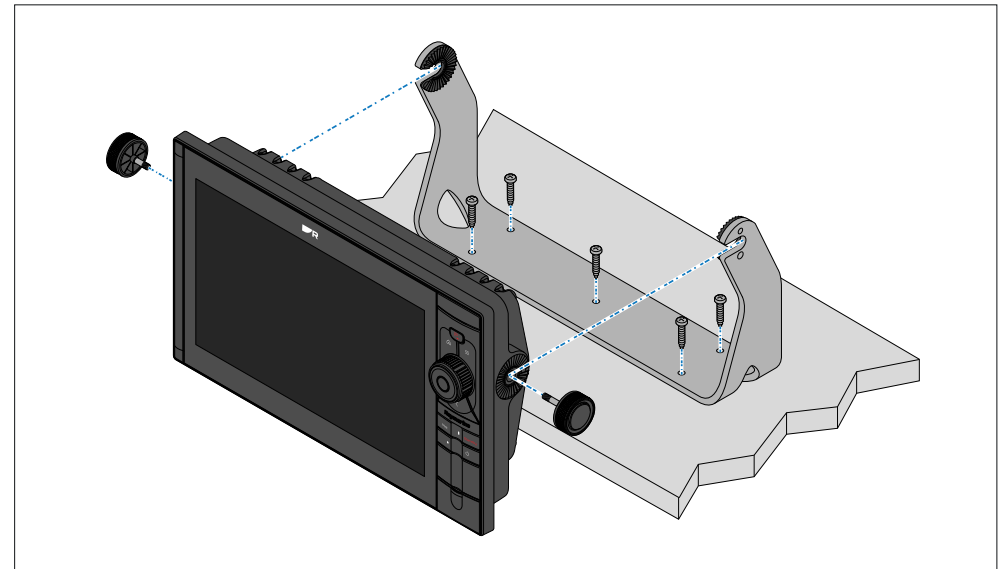
### Trunnion bracket mounting

Axiom® 2 Pro displays can be mounted on a trunnion bracket. Axiom® 2 Pro 9 and Axiom® 2 Pro 12 displays are supplied with a trunnion bracket. An optional trunnion bracket kit is available for the Axiom® 2 Pro 16 (part number: A80722).

**Note:**

Fixings to secure the trunnion bracket to a mounting surface are not provided. 5 x self tapping screws are required. The screws should be suitable for the mounting surface material and the 5.75 mm (0.23 in) diameter mounting holes in the trunnion bracket.

Ensure you have chosen a suitable mounting location for your display, which has sufficient head room to allow the display's angle to be adjusted or the display to be removed if necessary. If installing 'above head' take extra care to ensure the knobs are tightened sufficiently to prevent them coming loose due to vibration when underway.



1. Check the underside of the mounting surface to ensure no damage will be caused by drilling.
2. Check the thickness of the mounting surface to ensure it is sufficient to support the display.

3. Using the Trunnion bracket as a template, mark and drill the 5 x pilot holes on the mounting surface.
4. Secure the trunnion bracket to the mounting surface using your self tapping screws and an appropriate screwdriver.
5. Insert the trunnion knobs into the sides of the display and tighten 3 to 4 turns.
6. Slide the display into the trunnion bracket so that the trunnion knob threads are slotted into the recesses in the trunnion bracket.
7. Secure the display by fully tightening the trunnion knobs, ensuring that the ratchet teeth are correctly engaged.

*The knobs should be tightened by hand, sufficiently to prevent the display from moving whilst your vessel is underway.*

8. Route and connect necessary cables.

## 8.4 Trunnion mounting — Axiom® 2 Pro 16

### Axiom 2 Pro 16 trunnion kit modification

The Axiom® 2 Pro 16 trunnion kit has been modified to improve installation efficiency.

The following improvements have been made:

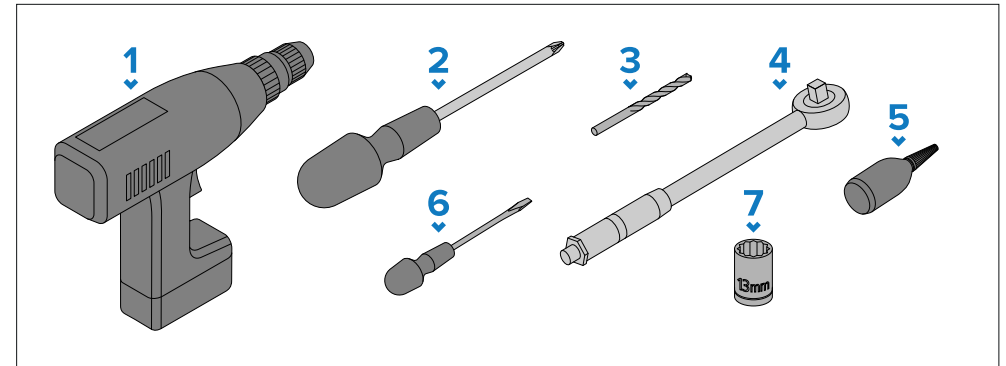
- The ratchet plates have been modified to be full circle plates which improves the security of the display in the trunnion bracket.
- The spacer piece now comes with the ratchet plate already attached to the spacer, reducing the steps required for assembly.
- The washer is no longer required, further reducing the assembly steps.

#### Note:

- If your trunnion kit includes full circle ratchet plates that are already attached to the spacer, use the instructions in this section for assembly and installation.
- If your trunnion kit includes 'C' shaped ratchet plates which are separate from the spacer, for assembly and installation instructions please refer to: [p.124 — Original trunnion kit mounting — Axiom® 2 Pro 16](#)

### Tools required (trunnion mount installations)

The following tools are recommended for mounting using a trunnion bracket:



1. Power drill.
2. Screwdriver (appropriate for your fixings).
3. Drill bit (suitable for the mounting surface material and the 5.75 mm (0.23 in) diameter holes in the trunnion bracket).
4. Torque wrench.
5. Loctite® 243, or equivalent threadlocker.
6. Small flat blade screwdriver (or plastic pry tool).
7. 13 mm (1/2") socket.

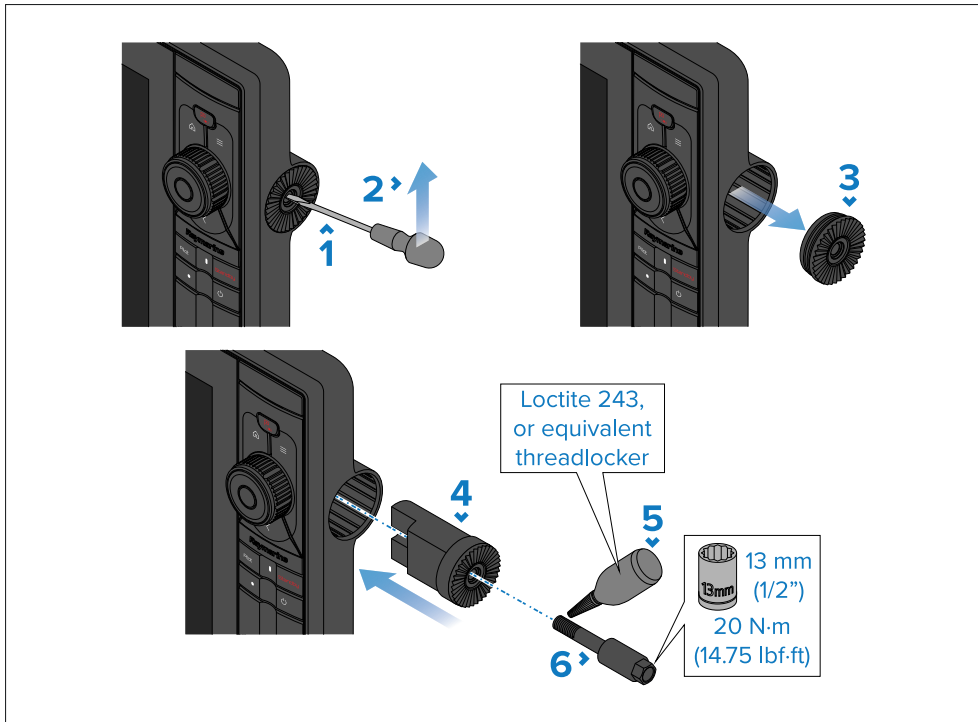
### Display trunnion mounting preparation

Axiom® 2 Pro 16 displays are intended to be either surface or flush mounted. An optional Trunnion bracket kit (part number: A80722) is available if trunnion mounting is desired. For trunnion mounting, the display needs to be prepared using the parts supplied in the A80722 kit.

#### Important:

The display is supplied with rubber trunnion bungs fitted, which must be removed before the display is trunnion mounted. Do NOT attempt to trunnion mount the display using the trunnion bungs.

To prepare the display for trunnion mounting, follow the steps below, **for both sides of the display:**



1. Insert a small flat blade screwdriver or plastic pry tool into the center hole of the Trunnion bung.
2. Lever the tool up or down to release the Trunnion bung.
3. Remove the Trunnion bung.
4. Insert the Spacer piece into the display with the flat edge facing forward.
5. Apply Loctite® 243 (or equivalent threadlocker) to the thread of the M8 standoff bolt.
6. Insert the M8 standoff bolt and tighten to 20 N·m (14.75 lbf·ft).

**Important:**

Overtightening may cause damage.

The display can now be trunnion mounted.



## Trunnion bracket mounting

Once the display has been prepared using the instructions and parts supplied, it can be mounted using the trunnion bracket as follows:

### Note:

Fixings to secure the trunnion bracket to a mounting surface are not provided. 5 x self-tapping screws are required. The screws should be suitable for the mounting surface material and the 5.75 mm (0.23 in) diameter mounting holes in the trunnion bracket.

Ensure you have chosen a suitable mounting location for your display, which has sufficient headroom to allow the display's angle to be adjusted, or the display to be removed if necessary. If installing the display 'above head height', take extra care to ensure the knobs are tightened sufficiently to prevent them coming loose due to vibration when underway.

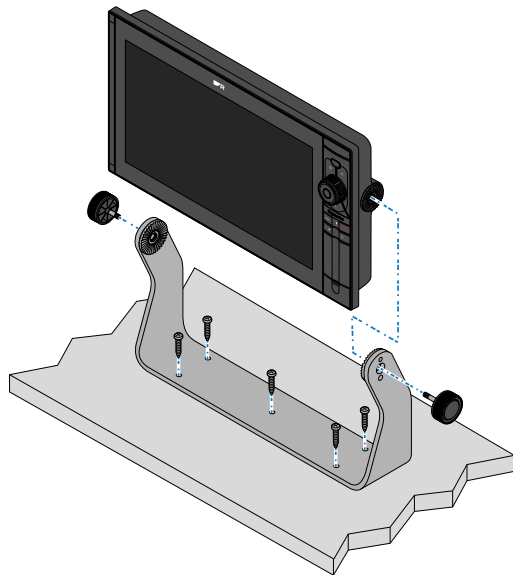
### Important:

2 person installation is required.

1. Check the underside of the mounting surface to ensure no damage will be caused by drilling.
2. Check the thickness of the mounting surface to ensure it is sufficient to support the display.
3. Using the Trunnion bracket as a template, mark and drill the 5 x pilot holes on the mounting surface.
4. Secure the Trunnion bracket to the mounting surface using your self-tapping screws and an appropriate screwdriver.
5. One person should align the trunnion holes in the side of the display with the holes in the trunnion bracket.
6. The second person should secure the display to the trunnion bracket by inserting and tightening the trunnion knobs, ensuring that the ratchet teeth are correctly engaged.

*The knobs should be tightened by hand, sufficiently to prevent the display from moving whilst your vessel is underway.*

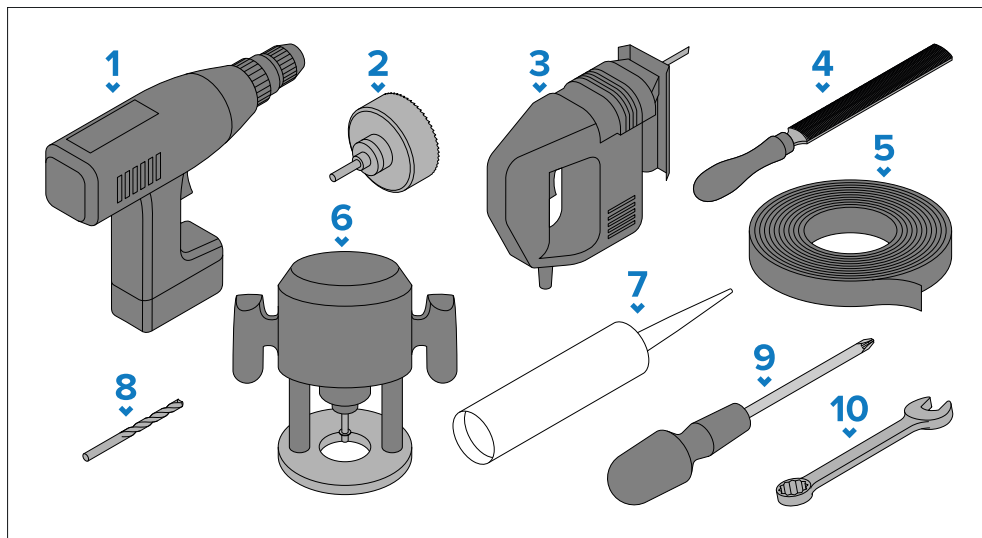
7. Route and connect necessary cables.



## 8.5 Flush mounting

### Tools required (flush mount installations)

The following tools are recommended for flush mount installations:



1. Power drill.
2. Hole cutter (appropriate size for corner diameters of the **Cutout** line identified on the supplied mounting template):
  - 33.00 mm (1.30 in) — Axiom® 2 Pro 9.
  - 37.00 mm (1.47 in) — Axiom® 2 Pro 12 / Axiom® 2 Pro 16.
3. Jigsaw.
4. Half round file (or sandpaper).
5. Masking/self adhesive tape.
6. Hand router with a router bit an appropriate size for the 9.00 mm (0.35 in) corner diameter required for the **flush mount rebate**.
7. Marine grade sealant.
8. Drill bit 3.7 mm ( $\frac{5}{32}$ "") for fixing holes.
9. Pozi-drive screwdriver.
10. 7 mm wrench or small adjustable wrench.

### Rear access requirements

Access to the rear of the display and mounting surface is required to surface and flush mount the display.

Ensure there is sufficient access and space behind the mounting surface to attach and tighten the fixings and also to connect the cables.

### Preparing the mounting surface — flush mounting

When the display is flush mounted, the glass/bezel will be flush with the mounting surface. Flush mounting requires the same cutout hole as surface mounting, plus an additional rebate around the edge of the cutout to recess the display fully in the mounting surface.

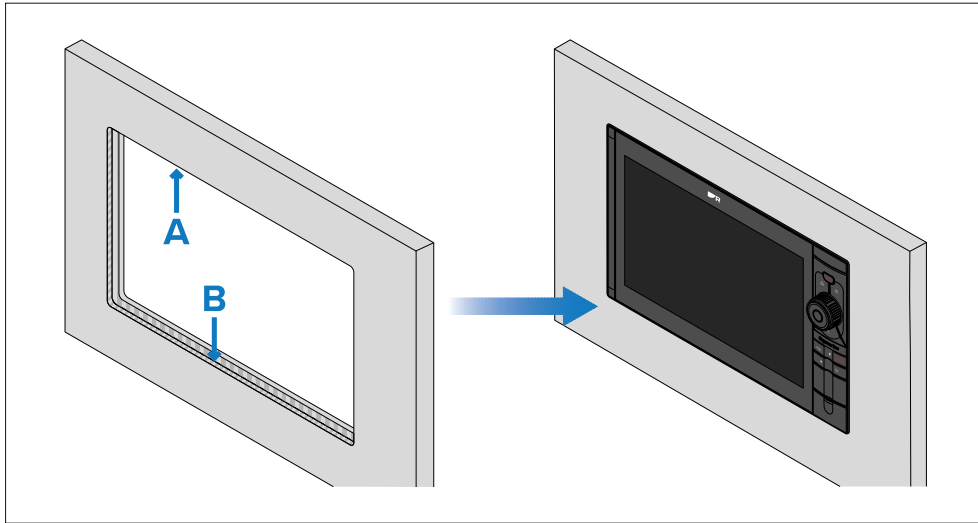
#### Note:

The following procedure is for preparing the mounting surface for flush mount installations. For surface mounting details refer to: [p.49 — Preparing the mounting surface — surface mounting](#)

#### Note:

Before preparing the mounting surface, ensure that:

- your selected location meets the location requirements. For details refer to: [p.34 — Location requirements](#)
- you have identified cable connections and the route that the cables will take.



- **A** — Cutout (when flush mounting, the cutout will be the same dimensions as the cutout used for surface mounting).
- **B** — Flush mounting requires an extra rebate to recess the display fully in the mounting surface.

#### Important:

When flush mounting, the fixings go through holes drilled in the rebated, and therefore thinnest, part of the mounting surface. **Before preparing the mounting surface, ensure that sufficient surface thickness will remain (once rebated) to take the weight of the display.** The final rebated area must be **at least** as thick as the display's bezel (15.00 mm (0.59 in)), in order to ensure that the display sits entirely flush with the mounting surface. Due to these requirements, not all mounting surface types and materials are suitable for flush mounting the display. *It is the installer's responsibility to ensure that the mounting surface is suitable for flush mounting.* **If the mounting surface is not suitable, the display must be surface or trunion mounted instead.**

1. Mark the **Cutout** line on the mounting surface, as identified on the supplied mounting template
2. Mark on the mounting surface the locations for the 4 **holes for fixing screws**, as identified on the supplied mounting template.

3. Mark on the mounting surface the **Flush mount rebate** line, as identified on the supplied mounting template.
4. Use a drill and an appropriate size drill bit or hole cutter to cut out the corners of the **Cutout** line.

The corner diameter for each display is:

- 33.00 mm (1.30 in) — Axiom® 2 Pro 9.
- 37.00 mm (1.46 in) — Axiom® 2 Pro 12.
- 37.00 mm (1.46 in) — Axiom® 2 Pro 16.

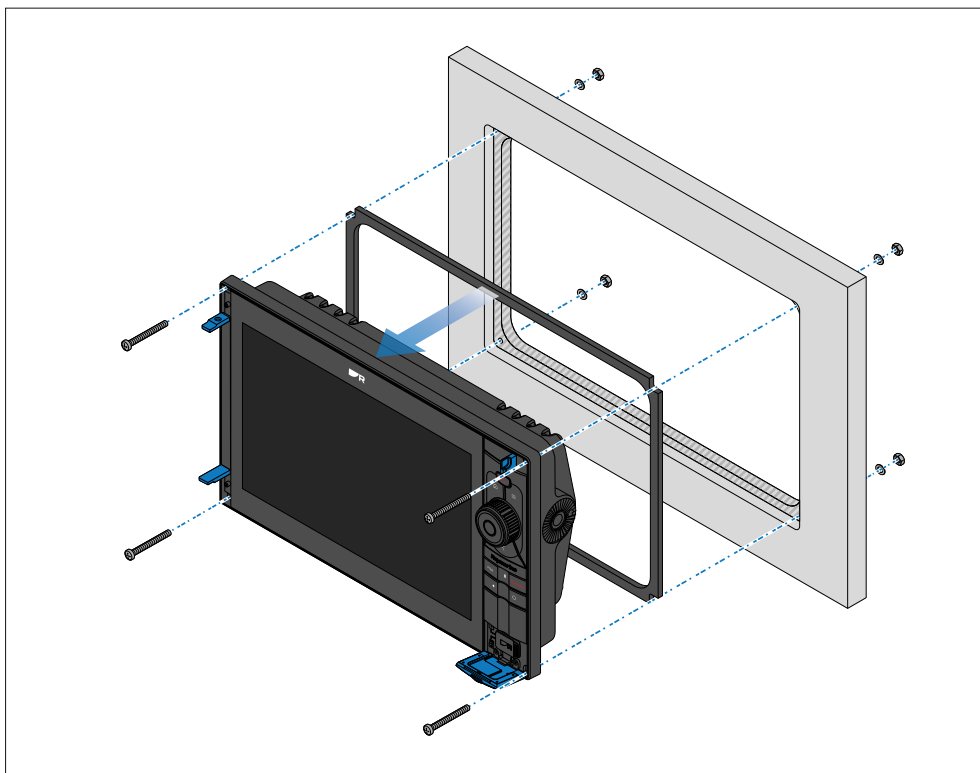
5. Use a jigsaw or similar cutting tool to cut out the remainder of the **Cutout** area.
6. Drill the 4 fixings holes at the marked location using a 3.7 mm ( $\frac{5}{32}$ " ) drill bit.
7. Use a router hand tool to recess the marked **Flush mount rebate** area, to a depth of 15.00 mm (0.59 in).
8. Carefully (and temporarily) fit the display to the cutout area, to check for a good fit. **Do not use any fixings at this time.** If the fit is very tight, it may be necessary to remove the display and file the edges of the cutout to achieve a better fit, using a half round file and/or sandpaper. Alternatively, if the fit is loose and there is a visible gap between the display's outer bezel and the cutout, this will need to be filled with marine-grade sealant or suitable packing material to fill the gap. *This should only be done once the display has been secured to the surface using the fixings, as described in the next mounting procedure.*

## Flush mounting

Follow the steps below to flush mount the display.

#### Important:

In above decks installations, marine-grade sealant should be used to seal the gap between the edge of the mounting surface and the edge of the display.



1. Ensure you have followed the instructions for preparing the mounting surface for flush mounting:  
[p.46 — Preparing the mounting surface — flush mounting](#)
2. Route the relevant cables to the area behind the mounting surface cutout.

*This may be difficult or not possible once the display has been mounted.*

3. Remove the backing from the supplied gasket and place the sticky side of the gasket onto the flange on the rear of the display. Press firmly onto the flange.
4. Connect the relevant cables to the rear of the display.
5. Slide the display into the cutout area.
6. Pull back the 3 corner bungs and open the card reader door.
7. Insert the fixing bolts, attach the washers and nuts from the rear, and then tighten.
8. Close the 3 corner bungs and the card reader door.

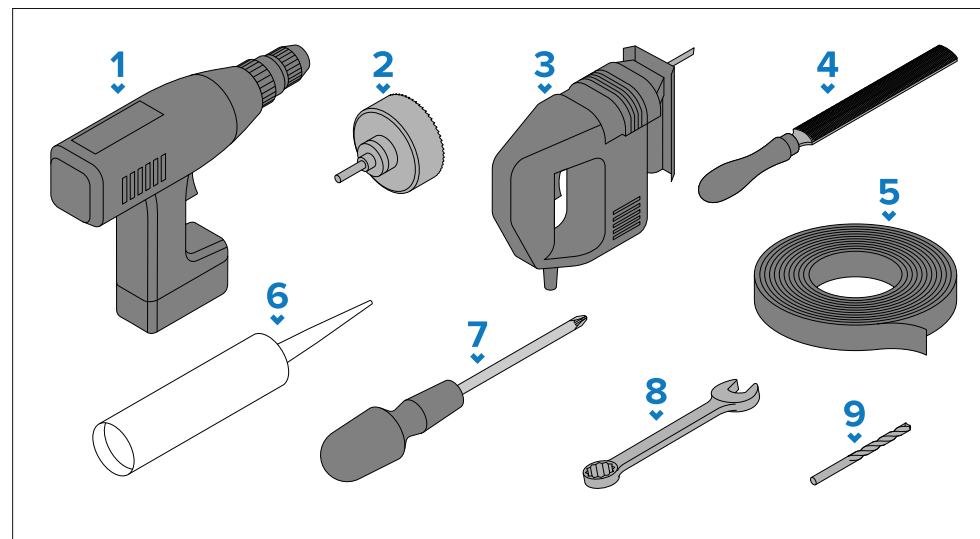
#### Note:

The supplied gasket provides a seal between the display and a suitably flat and rigid mounting surface or binnacle. **The gasket should be used in all installations.** It may also be necessary to use a marine-grade sealant if the mounting surface or binnacle is not entirely flat and/or has a rough surface finish.

## 8.6 Surface mounting

### Tools required (surface mount installations)

The following tools are recommended for surface mount installations:



1. Power drill.
2. Hole cutter (appropriate size for corner diameters of the **Cutout** line identified on the supplied mounting template):
  - 33.00 mm (1.30 in) — Axiom® 2 Pro 9.
  - 37.00 mm (1.47 in) — Axiom® 2 Pro 12 / Axiom® 2 Pro 16.
3. Jigsaw.
4. Half round file (or sandpaper).

5. Masking/self adhesive tape.
6. Marine grade sealant.
7. Pozi-drive screwdriver.
8. 7 mm wrench or small adjustable wrench.
9. Drill bit 3.7 mm ( $\frac{5}{32}$ "") for fixing holes.

## Rear access requirements

Access to the rear of the display and mounting surface is required to surface and flush mount the display.

Ensure there is sufficient access and space behind the mounting surface to attach and tighten the fixings and also to connect the cables.

## Preparing the mounting surface — surface mounting

Surface mounting requires one cutout hole. When the display is surface mounted, the glass/bezel will protrude from the mounting surface.

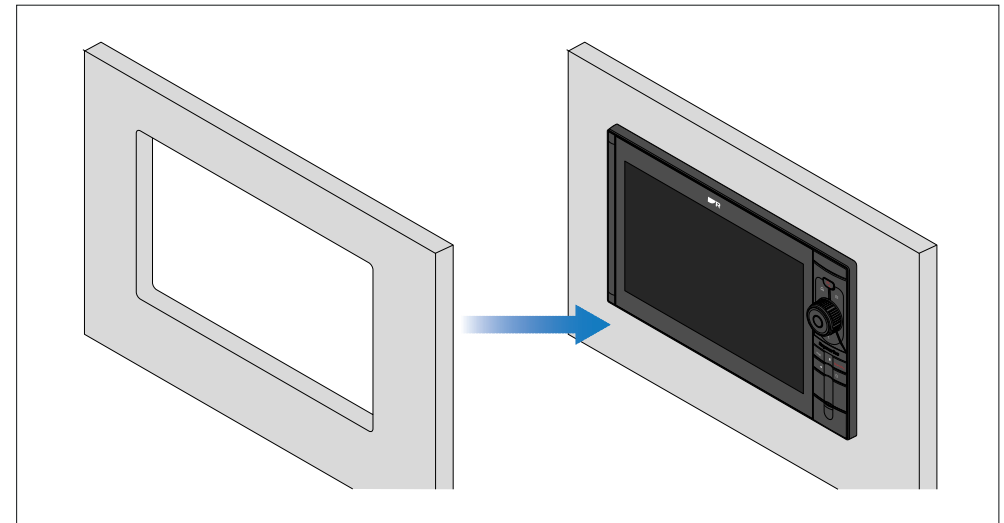
### Note:

The following procedure is for preparing the mounting surface for surface mount installations. For flush mounting details, refer to: [p.46 — Preparing the mounting surface — flush mounting](#)

### Note:

Before preparing the mounting surface, ensure that:

- your selected location meets the location requirements. For details refer to: [p.34 — Location requirements](#)
- you have identified cable connections and the route that the cables will take.



1. On the mounting surface, mark the **Cutout** line identified on the supplied mounting template.
2. On the mounting surface, mark the 4 **fixing screw hole** locations identified on the supplied mounting template.
3. Use a drill and an appropriate size drill bit or hole cutter to cut out the corners of the **Cutout** line.

*The corner diameters for the displays are:*

- 33.00 mm (1.30 in) — Axiom® 2 Pro 9.
- 37.00 mm (1.46 in) — Axiom® 2 Pro 12.
- 37.00 mm (1.46 in) — Axiom® 2 Pro 16.

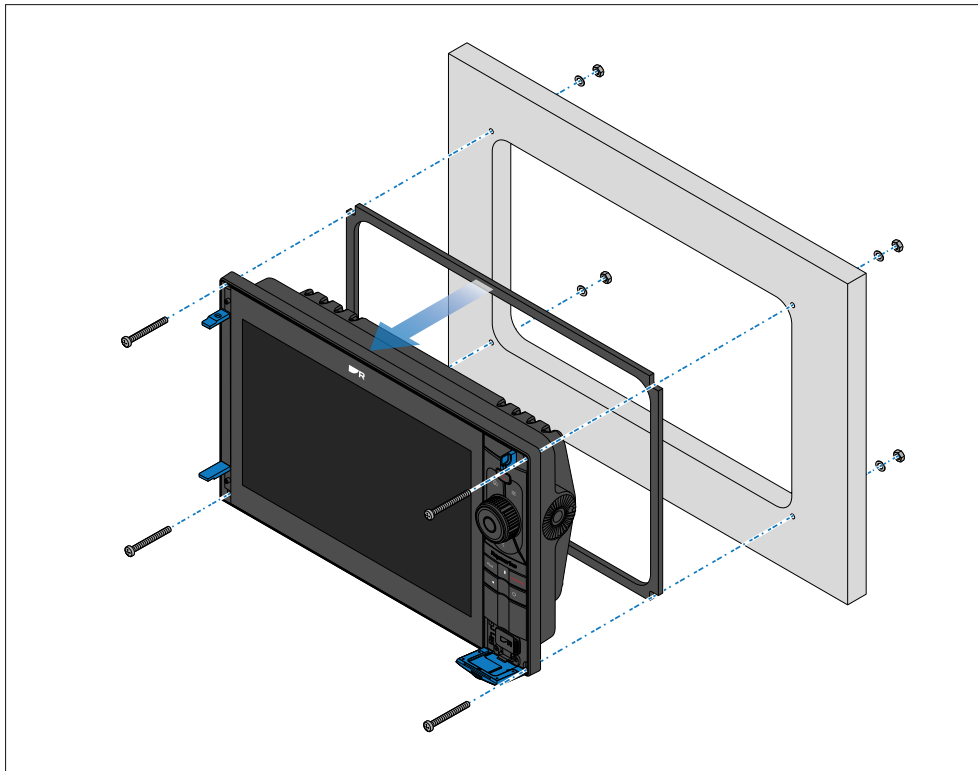
4. Use a jigsaw or similar cutting tool to cut out the remainder of the cutout area.
5. Drill the 4 fixing holes at the marked location, using a 3.7 mm ( $\frac{5}{32}$ "") drill bit.
6. Use a half round file and/or sandpaper to smooth out rough edges or burs on the cutout hole.

## Surface mounting

Follow the steps below to surface mount the display.

### Important:

In above decks installations, marine-grade sealant should be used to seal the gap between the edge of the mounting surface and the edge of the display.



1. Ensure you have followed the instructions for preparing the mounting surface for surface mounting.
2. Route the relevant cables to the area behind the mounting surface cutout.

*This may be difficult or not possible once the display has been mounted.*

3. Remove the backing from the supplied gasket and place the sticky side of the gasket onto the flange on the rear of the display. Then press firmly onto the flange.
4. Connect the relevant cables to the rear of the display.
5. Slide the display into the cutout area.
6. Pull back the 3 corner bungs and open the card reader door.
7. Insert the fixing bolts, attach the washers and nuts from the rear, and then tighten.
8. Close the 3 corner bungs and the card reader door.

### Note:

The supplied gasket provides a seal between the display and a suitably flat and rigid mounting surface or binnacle. The gasket should be used in all installations. It may also be necessary to use a marine-grade sealant if the mounting surface or binnacle is not entirely flat and/or has a rough surface finish.

# CHAPTER 9: CABLES AND CONNECTIONS — GENERAL INFORMATION

## CHAPTER CONTENTS

- 9.1 General cabling guidance — page 52
- 9.2 Connections overview — RVM variant displays — page 53
- 9.3 Connections overview — S variant displays — page 53
- 9.4 Connecting cables — page 54
- 9.5 Bare-ended wire connections — page 54

## 9.1 General cabling guidance

### Cable types and length

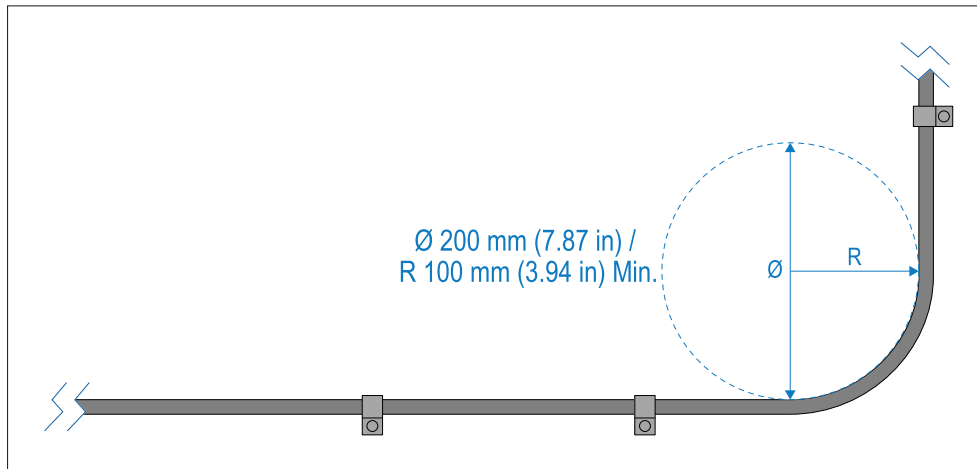
It is important to use cables of the appropriate type and length.

- Unless otherwise stated only use cables supplied by Raymarine.
- Where it is necessary to use non-Raymarine cables, ensure that they are of correct quality and gauge for their intended purpose. (e.g.: longer power cable runs may require larger wire gauges to minimize voltage drop along the run).

### Cable routing

Cables must be routed correctly, to maximize performance and prolong cable life.

- Do NOT bend cables excessively. Wherever possible, ensure a minimum bend diameter ( $\emptyset$ ) of 200 mm (7.87 in) / minimum bend radius (R) of 100 mm (3.94 in).



- Protect all cables from physical damage and exposure to heat. Use trunking or conduit where possible. Do NOT run cables through bilges or doorways, or close to moving or hot objects.
- Secure cables in place using cable clips or cable ties. Coil any excess cable and tie it out of the way.
- Where a cable passes through an exposed bulkhead or deckhead, use a suitable watertight feed-through.

- Do NOT run cables near to engines or fluorescent lights.
- Always route data cables as far away as possible from:
  - Other equipment and cables.
  - High current carrying AC and DC power lines.
  - Antennas.

### Strain relief

Use adequate strain relief for cabling to ensure that connectors are protected from strain and will not pull out under extreme sea conditions.

### Circuit isolation

Appropriate circuit isolation is required for installations using both AC and DC current:

- Always use isolating transformers or a separate power-inverter to run PCs, processors, displays and other sensitive electronic instruments or devices.
- If using Weather FAX audio cables, always use an isolating transformer.
- If using a third-party audio amplifier, always use an isolated power supply.
- If using an RS232/NMEA converter, always ensure optical isolation on the signal lines.
- Always ensure that PCs or other sensitive electronic devices have a dedicated power circuit.

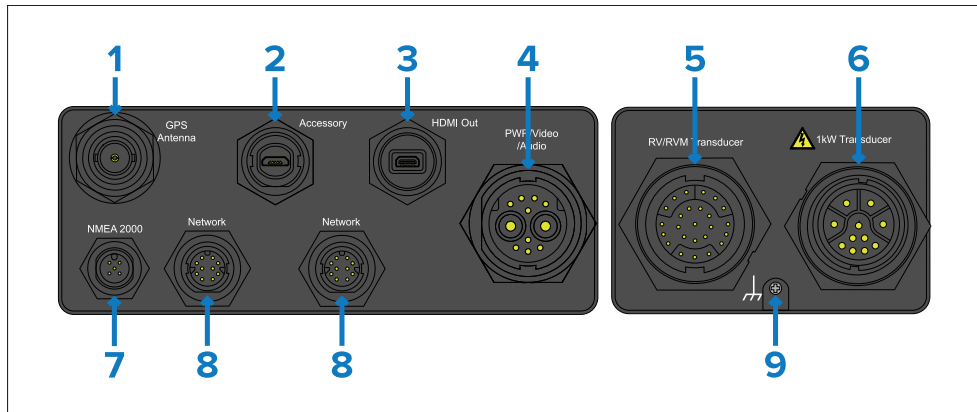
### Cable shielding

Ensure that cable shielding is not damaged during installation and that all cables are properly shielded.



## 9.2 Connections overview — RVM variant displays

The following connections are available on Axiom® 2 Pro **RVM** variant displays:



1. **GPS Antenna** — Enables connection of an optional external passive GNSS (GPS) antenna (e.g.: GA200, part number A80589).
2. **Accessory** — Enables connection of an external card reader, such as the RCR-SD/USB (part number A80440).
3. **HDMI Out** — Enables connection of an external HDMI monitor or HDTV, using the Micro HDMI (Type D) to HDMI cable (part number A80723). The external monitor mirrors the display's screen.
4. **PWR/Video/Audio** — The power/video/audio connector provides a connection to a 12 / 24 V dc power supply, an analog video input via BNC connector, and analog audio output via RCA connectors.

### Note:

- Axiom® 2 Pro displays are supplied with a Power/video/audio cable that has a straight connector. A right angled connector cable is also available (part number: A80745 ).
- The original Axiom® Power/Video/NMEA 0183 cables cannot be used with Axiom® 2 Pro displays.

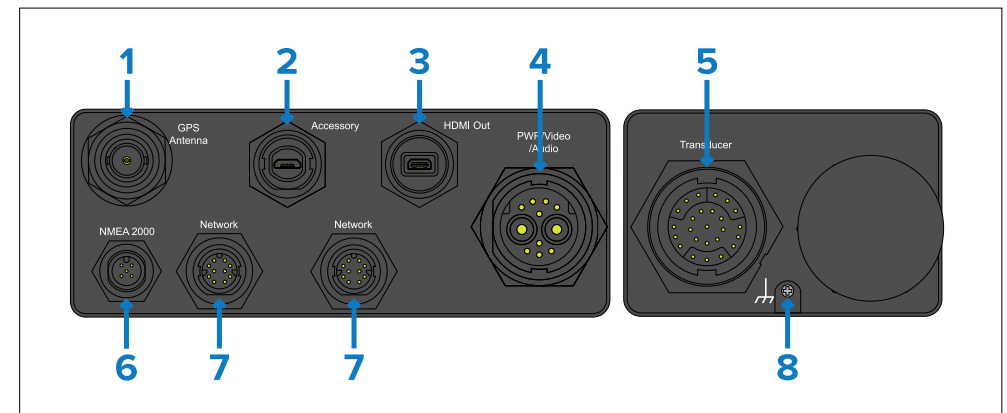
5. **RV/RVM Transducer** — Used to connect RealVision™ Max 3D or RealVision™ 3D transducers. Also allows connection of DownVision™,

SideVision™ or CPT-S CHIRP conical beam transducers, via an adapter cable.

6. **1kW Transducer** — Enables the connection of CHIRP / Traditional (up to 1kW) transducers.
7. **NMEA 2000** — Enables connection to a SeaTalkng® or NMEA 2000 network, using the supplied SeaTalkng® to DeviceNet adaptor cable, or a suitable DeviceNet cable.
8. **Network** — The 2 x network connectors enable connection of RayNet devices.
9. **Ground** — The optional grounding point should **only** be used when the display experiences touchscreen interference from nearby equipment. The grounding point should be connected to the same RF ground point as the interfering equipment, or the vessel's negative battery terminal.

## 9.3 Connections overview — S variant displays

The following connections are available on Axiom® 2 Pro **S** variant displays:



1. **GPS Antenna** — Enables connection of an optional external passive GNSS (GPS) antenna (e.g.: GA200, part number A80589).
2. **Accessory** — Enables connection of an external card reader, such as the RCR-SD/USB (part number A80440).
3. **HDMI Out** — Enables connection of an external HDMI monitor or HDTV, using the Micro HDMI (Type D) to HDMI cable (part number A80723). The external monitor mirrors the display's screen.

4. **PWR|Video|Audio** — The power/video/audio connector provides a connection to a 12 / 24 V dc power supply, an analog video input via BNC connector, and analog audio output via RCA connectors.

**Note:**

- Axiom® 2 Pro displays are supplied with a Power/video/audio cable that has a straight connector. A right angled connector cable is also available (part number: A80745 ).
- The original Axiom® Power/Video/NMEA 0183 cables cannot be used with Axiom® 2 Pro displays.

5. **Transducer** — Enables the connection of a CPT-S CHIRP conical beam transducer, via an adapter cable.

**Note:** You can NOT connect RealVision™ Max 3D, RealVision™ 3D, DownVision™ or SideVision™ transducers to an **S** variant display.

6. **NMEA 2000** — Enables connection to a SeaTalkng® or NMEA 2000 network, using the supplied SeaTalkng® to DeviceNet adaptor cable, or a suitable DeviceNet cable.
7. **Network** — The 2 x network connectors enable connection of RayNet devices.
8. **Ground** — The optional grounding point should **only** be used when the display experiences touchscreen interference from nearby equipment. The grounding point should be connected to the same RF ground point as the interfering equipment, or the vessel's negative battery terminal.

## 9.4 Connecting cables

Follow the steps below to connect the cable(s) to your product.

1. Ensure that the vessel's power supply is switched off.
2. Ensure that the device being connected has been installed in accordance with the installation instructions supplied with that device.
3. Ensuring correct orientation, push cable connectors fully onto the corresponding connectors.

4. Engage any locking mechanism to ensure a secure connection (e.g.: turn locking collars clockwise until tight, or in the locked position).
5. Ensure any bare ended wire connections are suitably insulated to prevent shorting and corrosion due to water ingress.

## 9.5 Bare-ended wire connections

You must ensure that any bare-ended wires are adequately protected from short circuit and water ingress.

### Bare-ended wire connections

It is recommended that bare-ended wire connections are made by soldering or using crimp connectors, and then protected by wrapping the connection in electrical insulation tape.

### Unused bare-ended wires

Any unused bare-ended wires should be folded back and wrapped in electrical insulation tape.

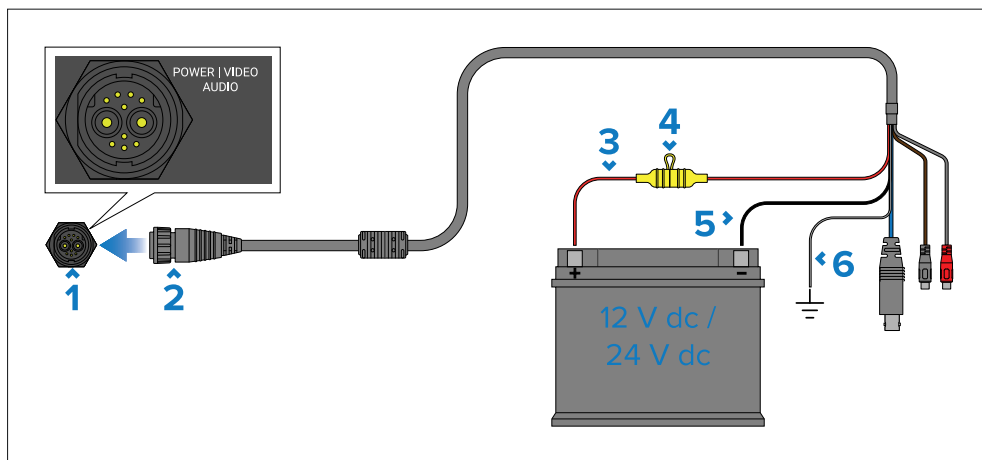
# CHAPTER 10: POWER CONNECTIONS

## CHAPTER CONTENTS

- 10.1 Power connection — page 56
- 10.2 Power distribution — page 56
- 10.3 Grounding — optional grounding point — page 59

## 10.1 Power connection

The supplied power cable is connected to the **PWR/Video/Audio** connector located on the rear of the display. The power cable must then be connected to a 12 V dc or 24 V dc power supply; this can be achieved by connecting to a distribution panel, or directly to a battery. The product is protected against reverse polarity.



1. Display's **PWR/Video/Audio** connector.
2. Power/video/audio cable 1.5 m (4.9 ft).
3. Positive (Red) wire connects to the power supply's positive (+) terminal.
4. Fuse.
5. Negative wire connects to the power supply's negative (-) terminal.
6. Drain wire connects to RF ground point, if no ground point is available connect to the battery negative (-) terminal.

### Note:

- Axiom® 2 Pro displays are supplied with a Power/video/audio cable that has a straight connector. A right angled connector cable is also available (part number: A80745 ).
- The original Axiom® Power/Video/NMEA 0183 cables cannot be used with Axiom® 2 Pro displays.

## Inline fuse and thermal breaker ratings

The following inline fuse and thermal breaker ratings apply to your product:

Inline fuse rating	Thermal breaker rating
15 A	15 A (if only connecting one device)

### Note:

- The suitable fuse rating for the thermal breaker is dependent on the number of devices you are connecting. If in doubt consult an Raymarine technical support..
- Your product's power cable may have a fitted inline fuse. If not, you must fit an inline fuse to the positive wire of your product's power connection.

### Caution: Power supply protection

When installing this product ensure the power source is adequately protected by means of a suitably-rated fuse or thermal circuit breaker.

## 10.2 Power distribution

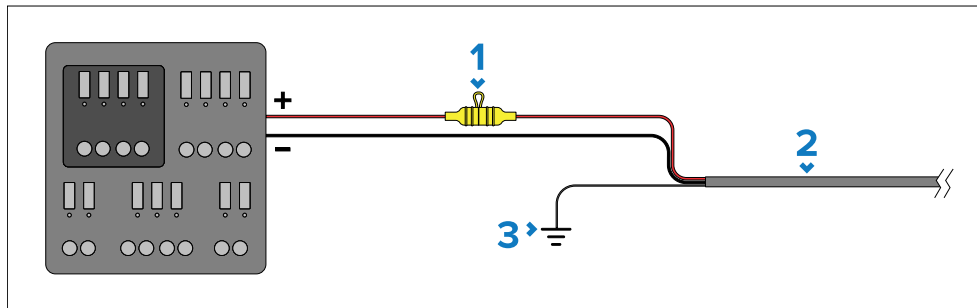
Recommendations and best practice for the power connection of products supplied with a drain wire as part of the supplied power cable.

- The product is supplied with a power cable, either as a separate item or a captive cable permanently attached to the product. Only use the power cable supplied with the product. Do NOT use a power cable designed for, or supplied with, a different product.
- Refer to the *Power connection* section for more information on how to identify the wires in your product's power cable, and where to connect them.
- See below for more information on implementation for some common power distribution scenarios:

### Important:

- When planning and wiring, take into consideration other products in your system, some of which (e.g. sonar modules) may place large power demand peaks on the vessel's electrical system, which may impact the voltage available to other products during the peaks.
- The information provided below is for guidance only, to help protect your product. It covers common vessel power arrangements, but does NOT cover every scenario. If you are unsure how to provide the correct level of protection, please consult an authorized dealer or a suitably qualified professional marine electrician.

### Implementation — connection to distribution panel (Recommended)

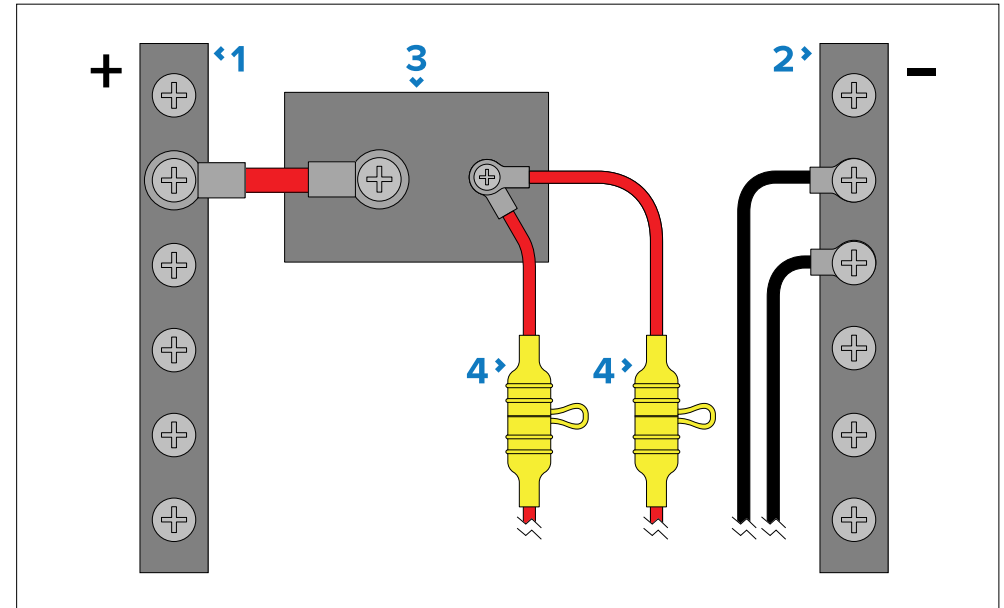


Item	Description
1	Waterproof fuse holder containing a suitably-rated inline fuse must be fitted. For suitable fuse rating, refer to: <i>Inline fuse and thermal breaker ratings</i> .
2	Product power cable.
3	Drain wire connection point.

- It is recommended that the supplied power cable is connected to a suitable breaker or switch on the vessel's distribution panel or factory-fitted power distribution point.
- The distribution point should be fed from the vessel's primary power source by 8 AWG (8.36 mm<sup>2</sup>) cable.
- Ideally, all equipment should be wired to individual suitably-rated thermal breakers or fuses, with appropriate circuit protection. Where this is

not possible and more than 1 item of equipment shares a breaker, use individual inline fuses for each power circuit to provide the necessary protection.

- The power cable supplied with your product includes a drain wire, which must be connected to the vessel's common RF ground.

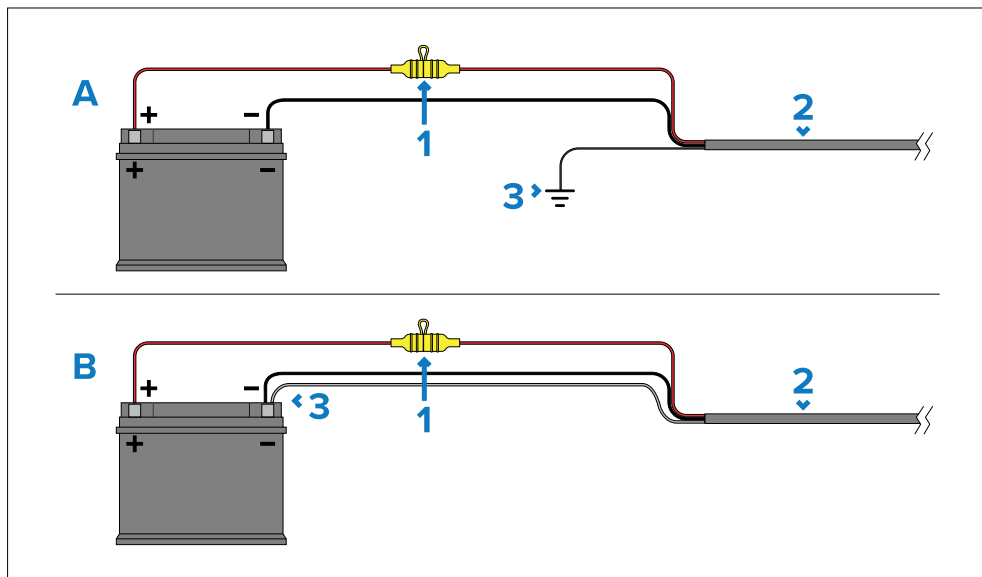


Item	Description
1	Positive (+) bar
2	Negative (-) bar
3	Circuit breaker
4	Waterproof fuse holder containing a suitably-rated inline fuse must be fitted. For suitable fuse rating, refer to: <i>Inline fuse and thermal breaker ratings</i> .

### Important:

Observe the recommended fuse / breaker ratings provided in the product's documentation, however be aware that the suitable fuse / breaker rating is dependent on the number of devices being connected.

## Implementation — direct connection to battery



- Where connection to a power distribution panel is not possible, the power cable supplied with your product may be connected directly to the vessel's battery, via a suitably rated fuse or breaker.
- If the power cable is NOT supplied with a fitted inline fuse, you MUST fit a suitably rated fuse or breaker between the red wire and the battery's positive terminal.
- Refer to the inline fuse ratings provided in the product's documentation.
- If you need to extend the length of the power cable supplied with your product, ensure you observe the dedicated *Power cable extensions* advice provided in the product's documentation.

Item	Description
1	Waterproof fuse holder containing a suitably-rated inline fuse must be fitted. For suitable fuse rating, refer to: <i>Inline fuse and thermal breaker ratings</i> .
2	Product power cable.
3	Drain wire connection point.

### Battery connection scenario A:

Suitable for a vessel with a common RF ground point. In this scenario, the power cable's drain wire should be connected to the vessel's common ground point.

### Battery connection scenario B:

Suitable for a vessel without a common grounding point. In this case, the power cable's drain wire should be connected directly to the battery's negative terminal.

## Grounding

Ensure that you observe any additional grounding advice provided in the product's documentation.

## More information

It is recommended that best practice is observed in all vessel electrical installations, as detailed in the following standards:

- BMEA Code of Practice for Electrical and Electronic Installations in Boats
- NMEA 0400 Installation Standard
- ABYC E-11 AC & DC Electrical Systems on Boats
- ABYC A-31 Battery chargers and Inverters
- ABYC TE-4 Lightning Protection



### Warning: Product grounding

Before applying power to this product, ensure it has been correctly grounded, in accordance with the instructions provided.



### Warning: Positive ground systems

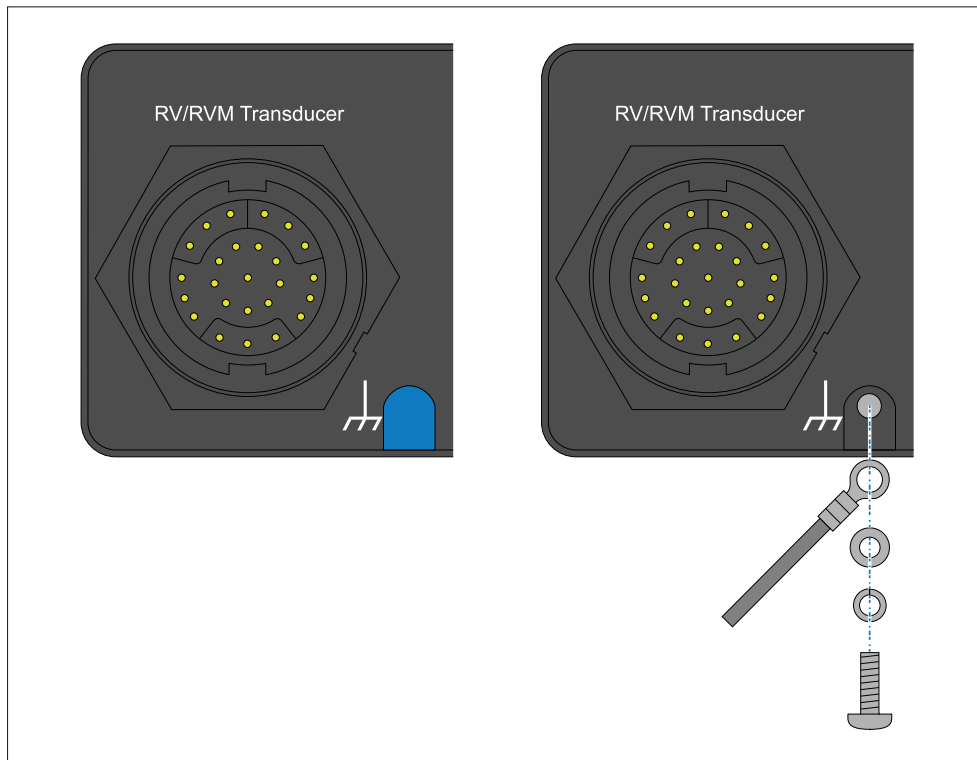
Do not connect this unit to a system which has positive grounding.

## 10.3 Grounding — optional grounding point

Frequencies emitted from equipment such as switch mode power supplies or MF/HF transmitters etc. can cause interference with your display's touchscreen. If you experience issues with touchscreen performance, fitting an additional dedicated ground connection can resolve the issue.

### Important:

The ground point should ONLY be connected when touchscreen interference is observed.



Use a small flat blade screwdriver to remove the grounding screw hole cover. Connect one end of the ground wire (not supplied) to your display using the supplied crimp, washer and screw.

Connect the other end of the ground wire to either the vessel's RF ground point, or on vessels without an RF ground system, the negative battery terminal.

The dc power system should be either:

- Negative grounded, with the negative battery terminal connected to the vessel's ground; or
- Floating, with neither battery terminal connected to the vessel's ground.

If several items require grounding, they may first be connected to a single local point (e.g. within a switch panel), with this point connected via a single, appropriately-rated conductor, to the vessel's common RF ground point.

### Implementation

The preferred minimum requirement for the path to ground is via a flat tinned copper braid, with a 30 A rating (1/4 inch) or greater. If this is not possible, an equivalent stranded wire conductor may be used, rated as follows:

- for runs of <1 m (3 ft), use 6 mm<sup>2</sup> (#10 AWG) or greater.
- for runs of >1 m (3 ft), use 8 mm<sup>2</sup> (#8 AWG) or greater.

In any grounding system, always keep the length of connecting braid or wires as short as possible.

### References

- ISO10133/13297
- BMEA code of practice
- NMEA 0400

# CHAPTER 11: NETWORK CONNECTIONS

## CHAPTER CONTENTS

- 11.1 Networking constraints — page 61
- 11.2 NMEA 2000 / SeaTalk NG connection — page 62
- 11.3 NMEA 0183 connection — page 62
- 11.4 Network connection — page 63
- 11.5 Internet connection — page 64



## 11.1 Networking constraints

On systems that include more than 1 MFD/Chartplotter, the MFDs/Chartplotter must be networked together using an ethernet network. The ethernet network can be either a direct RayNet cable connection or connection via a network switch such as the RNS-5. There are constraints which apply when networking MFDs/Chartplotters.

### Ethernet networks

- Any network including more than 1 MFD/Chartplotter must have a designated Datamaster.
- The Datamaster MFD/Chartplotter is the primary display in the system and will receive data from NMEA 2000/SeaTalk NG® and if applicable NMEA 0183 devices. The data received by the Datamaster will be bridged over the ethernet network to other networked MFDs/Chartplotters.
- Up to 10 MFDs/Chartplotters can be connected to the same network. It is recommended that all networked MFDs/Chartplotters have the same software version.
- Other ethernet devices connected directly to an MFD/Chartplotter will be shared with networked MFDs/Chartplotters.
- Networked MFDs/Chartplotters will share the Datamaster's Homescreen. Changes made to the Homescreen on any MFD/Chartplotter will be reflected on all networked MFDs/Chartplotters.
- Electronic cartography stored on internal or external memory on any MFD/Chartplotter can be shared by all MFDs/Chartplotters on the same network.
- Up to 2 Radar scanners can be connected to the same network and used simultaneously.
- Multiple Sonar modules can be connected to the same network and used simultaneously.
- MFDs/Chartplotters with an internal sonar module can share sonar data with networked MFDs/Chartplotters.

For details regarding internet connections refer to:

### [p.64 — Internet connection](#)

For details regarding networking third party ethernet products refer to:  
[p.128 — Ethernet \(IPv4\) networking of Raymarine devices with third-party products](#)

### Wi-Fi networks

- MFD/Chartplotter Wi-Fi connection can be used to provide internet connection via an access point.
- MFDs/Chartplotters that have an internet connection using Wi-Fi will share the internet connection with ethernet networked MFDs/Chartplotters.
- An internet connection over ethernet will take precedence over an internet connection over Wi-Fi.
- Data from ethernet networked devices is not bridged over a Wi-Fi connection.
- Data from NMEA 2000/SeaTalk NG® devices is not bridged over a Wi-Fi connection.

### NMEA 2000/SeaTalk NG® networks

- Only the Datamaster MFD/Chartplotter needs to be connected to the NMEA 2000/SeaTalk NG® backbone.
- If more than 1 MFD/Chartplotter is connected to the backbone only the Datamaster MFD/Chartplotter will receive data from other devices on the backbone.
- The Datamaster MFD/Chartplotter will bridge NMEA 2000/SeaTalk NG® data over the ethernet network to other MFDs/Chartplotters.
- More than 1 MFD/Chartplotter can be connected to the same backbone for data redundancy purposes. If the Datamaster MFD/Chartplotter goes down another networked MFD/Chartplotter can take its place as the Datamaster.

### Networking with legacy MFDs/Chartplotters

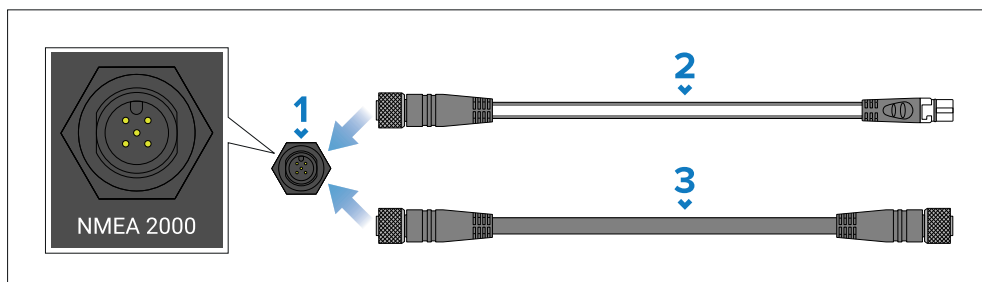
- Axiom® 2 MFDs/Chartplotters cannot be networked to Legacy MFDs/Chartplotters running LightHouse™ 2.
- Axiom® MFDs/Chartplotters running earlier versions of LightHouse™ 3 can be networked to legacy MFDs/Chartplotters. For further details on networking legacy MFDs/Chartplotters refer to:  
[p.127 — Legacy eS and gS Series compatibility with Axiom displays](#)
- Alpha Performance MFDs/Chartplotters cannot be networked to Legacy displays running LightHouse™ 2.

## 11.2 NMEA 2000 / SeaTalk NG connection

The MFD/Chartplotter can be connected to a NMEA 2000 / SeaTalk NG® network by connecting a spur cable to the **NMEA 2000** (DeviceNet) connector located on the rear of the MFD/Chartplotter.

### Note:

Only the Datamaster MFD/Chartplotter requires a connection to the NMEA 2000/SeaTalk NG® network. Other MFDs/Chartplotters can be connected for data redundancy; however only the Datamaster MFD/Chartplotter will receive data from NMEA 2000/SeaTalk NG® devices. The Datamaster MFD/Chartplotter can bridge the data over the ethernet network to other MFDs/Chartplotters in the system.



1. MFD/Chartplotter's **NMEA 2000** (DeviceNet) connector.
2. Use the supplied DeviceNet to SeaTalk NG® adaptor cable to connect to a SeaTalk NG® network backbone.
3. Alternatively you can connect to a NMEA 2000 backbone using a standard DeviceNet cable (not supplied).

### Note:

1. SeaTalk NG® and NMEA 2000 devices must be connected to a correctly terminated backbone.
2. SeaTalk NG® and NMEA 2000 devices can not be connected directly to the MFD/Chartplotter.
3. Refer to the instructions supplied with your SeaTalk NG® or NMEA 2000 device for details on creating a backbone.

Refer to [Chapter 24 Spares and accessories](#) for a list of available SeaTalk NG® cables.

## 11.3 NMEA 0183 connection

The display can transmit and receive NMEA 0183 data when using a compatible NMEA 2000 to NMEA 0183 converter, such as the Actisense® NGW-1 converter (part number: A80721), connected to the same [NMEA 2000] / SeaTalkng® network as the display.

### Important:

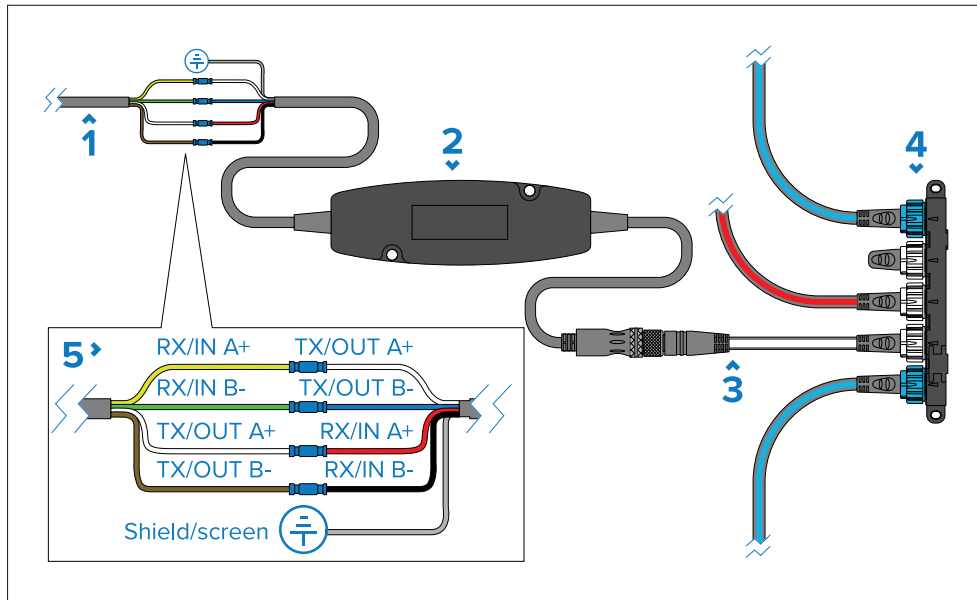
Ensure all devices are powered off before making connections.

Connect the converter to your NMEA 2000 or SeaTalkng® network, using either a DeviceNet to SeaTalkng® adaptor cable, or a DeviceNet cable as appropriate. Then, connect the converter's NMEA 0183 bare wires to the relevant wires on your NMEA 0183 device, and crimp and insulate the wires.

### Note:

The details below are provided as an example of how to connect a device using the Actisense® NGW-1 converter (A80721). Depending on your NMEA 0183 device, you may require a different converter. The converter and device wire colors may also vary from those shown. Refer to the instructions supplied with your NMEA 0183 device and your converter to identify correct signal connections.

**Example NMEA 0183 version 2 /3 device connection using the Actisense® NGW-1 converter**



1. Device NMEA 0183 wires.
2. NMEA 2000 to NMEA 0183 converter (e.g. Actisense® NGW-1 converter, A80721).
3. SeaTalkng™ (female) to DeviceNet (female) adaptor cable (e.g. A06045 or A06075).
4. SeaTalkng™ network (requires dedicated 12 V dc power supply).
5. NMEA 0183 wire connections. It is recommended that wire connections are made using crimps and then insulated using insulation tape.

**Example NMEA 0183 version 2 /3 device connections**

Converter signal (wire color)	NMEA 0183 device signal
TX/OUT A+ (White)	RX/IN A+
TX/OUT B- (Blue)	RX/IN B-
RX/IN A+ (Red)	TX/OUT A+
RX/IN B- (Black)	TX/OUT B-
Shield/Screen	Vessel Ground

If your NMEA 0183 device is a version 1 device (i.e.: it only has 3 NMEA 0183 wires), the connection will differ from that described above. Please see below for alternative wiring:

**Example NMEA 0183 version 1 receiving device connections**

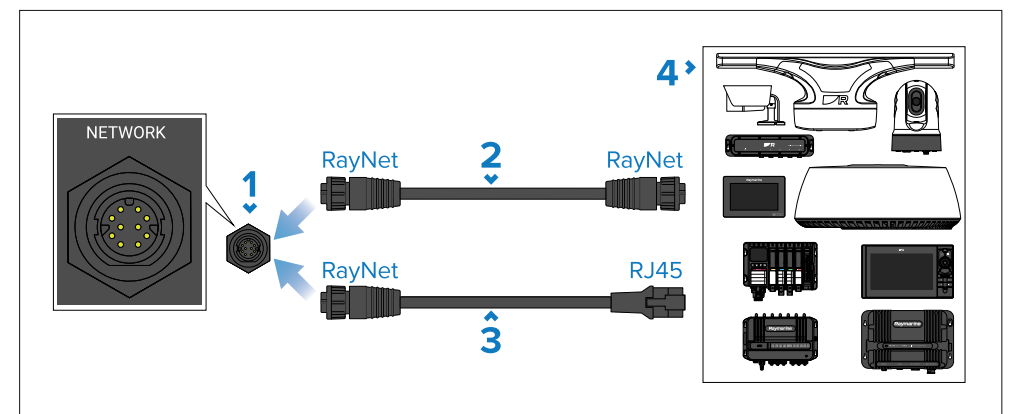
Converter signal (wire color)	Receiving NMEA 0183 device signal
TX/OUT A+ (White)	RX/IN
TX/OUT B- (Blue)	NOT CONNECTED
Shield/Screen	Vessel Ground

**Example NMEA 0183 version 1 transmitting device connections**

Converter signal (wire color)	Transmitting NMEA 0183 device signal
RX/IN A+ (Red)	TX/OUT
RX/IN B- (Black)	Vessel Ground
Shield/Screen	Vessel Ground

## 11.4 Network connection

The display can be connected to compatible network products by connecting a network cable between the product and one of the **NETWORK** connectors located on the rear of the display. Alternatively, the display can be connected to a network switch, e.g.: RNS-5, or the YachtSense™ Link marine router.



1. Display's **NETWORK** connector.
2. RayNet to RayNet cable — Connect one end of the RayNet cable to your display, and the opposite end to a RayNet device or RayNet network switch.
3. RayNet to RJ45 adapter cable — Connect the RayNet end of the cable to your display, and the opposite end to a network device with an RJ45 connector, or an RJ45 coupler.
4. Example compatible network devices with RayNet or RJ45 connectors (e.g.: Radar scanners, Sonar modules, Displays, Network switches, Cameras etc).

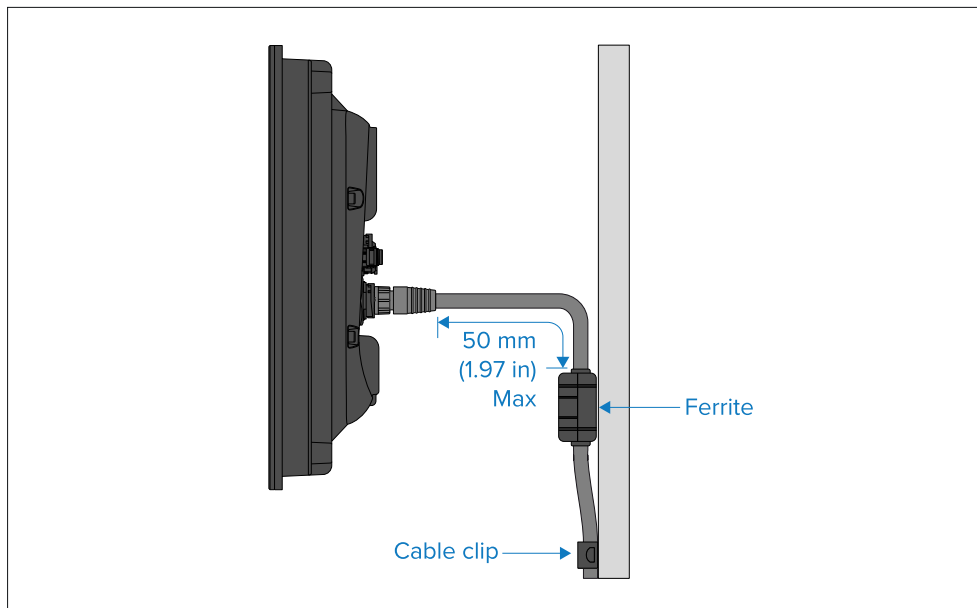
For a list of available network cables refer to [Chapter 24 Spares and accessories](#)

### Cable suppression ferrites

To ensure optimum EMC performance and to comply with applicable EMC regulations all RayNet cables connected to this product must have a suppression ferrite fitted.

Three suppression ferrites are included with your display, one for each RayNet connection.

Fit a ferrite to each RayNet cable as shown below:



- Cable clips (not supplied) should be used to support the cable and ferrite.
- If you need to remove a ferrite for any reason, ensure it is replaced in its original location before using the product.
- If the ferrite moves freely once fitted use cable ties (not supplied) above and below the ferrite to secure it in place.

## 11.5 Internet connection

Some features require the display to have a connection to the internet.

### Note:

In versions of the YachtSense™ Link router software *later than v4.20*, the display cannot connect to the router's Wi-Fi access point.

The display can be connected to the internet using the following methods:

- Connecting the display's Wi-Fi connection to a Wi-Fi access point which has an internet connection, such as marina Wi-Fi or mobile device. For connection details, refer to: [p.65 — Connecting to the internet using Wi-Fi](#)
- Connecting the display's RayNet Ethernet connection to a YachtSense™ Link router which has internet access. Requires YachtSense™ Link router software **v4.20** or above
- Connecting the display's Wi-Fi connection to a YachtSense™ Link router which has internet access. Requires YachtSense™ Link router software **v4.17** or earlier.
- Connecting the display's Wi-Fi or RayNet Ethernet connection to a third-party router which has internet access

### Note:

- When connecting to a YachtSense™ Link router, follow the instructions provided with the router to set up an internet connection.
- When using a third-party router, follow the instructions provided with it to set up an internet connection and then follow the guidance in the appendix of this document to help you configure internet access: [p.128 — IP Networking of Raymarine devices with Third-party products](#)

## YachtSense Link network connection

For optimum internet performance, the display should be connected to the YachtSense™ Link router via a wired RayNet Ethernet network connection.

In versions of the YachtSense™ Link router software *later than v4.20*, the display cannot connect to the router's Wi-Fi access point.

YachtSense™ Link routers with software versions *earlier than v4.20* may be connected to a display using a Wi-Fi connection. However, functionality will be limited to providing an internet connection for third-party apps which require internet access, such as *Netflix*.

For YachtSense™ Link routers which have been upgraded to **v4.20** from an earlier software version which also previously had a Wi-Fi connection to a display, the display will receive an IP address conflict notification. To correct the conflict, select *[Forget network]* from the notification.

## Connecting to the internet using Wi-Fi

The display can be connected directly to an access point that has an internet connection.

From the Homescreen:

1. Select the *[Apps]* icon from the Homescreen.  
The app launcher is displayed.
2. Select the connection status button, located on the top right of the app launcher page.  
The Wi-Fi settings page is displayed and will scan for available networks.

### Note:

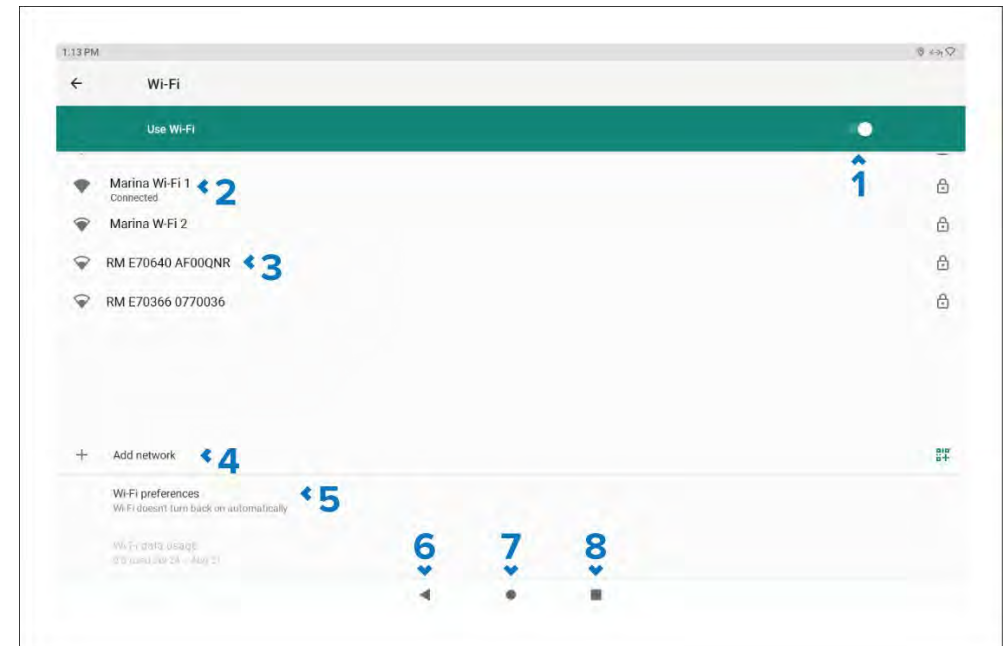
If there is a YachtSense™ Link router connected to your system selecting this button will display the router's web interface.

3. Select the relevant Wi-Fi access point.
4. Enter the password for the network and select *[Connect]*.  
Your display will now connect to the access point.
5. Select the *[Back]* triangle symbol or the *[Home]* circle symbol at the bottom of the screen.

Your display should now have an internet connection.

## Wi-Fi settings — Axiom 2 displays

The Wi-Fi settings menu provides settings to connect the display to a Wi-Fi access point or hotspot.



1. **Enable/Disable Wi-Fi.**
2. **Connected Access Point (AP).**
3. **Available Access Points (AP).**
4. **Add network** — Manually add a network.
5. **Wi-Fi preferences** — Provides Wi-Fi connection options.
6. **Back button** — Go back to the previous menu.
7. **Home button** — Go back to the previous menu.
8. **View open apps** — Go back to an open LightHouse apk app.

# CHAPTER 12: TRANSDUCER CONNECTIONS - AXIOM 2 PRO RVM

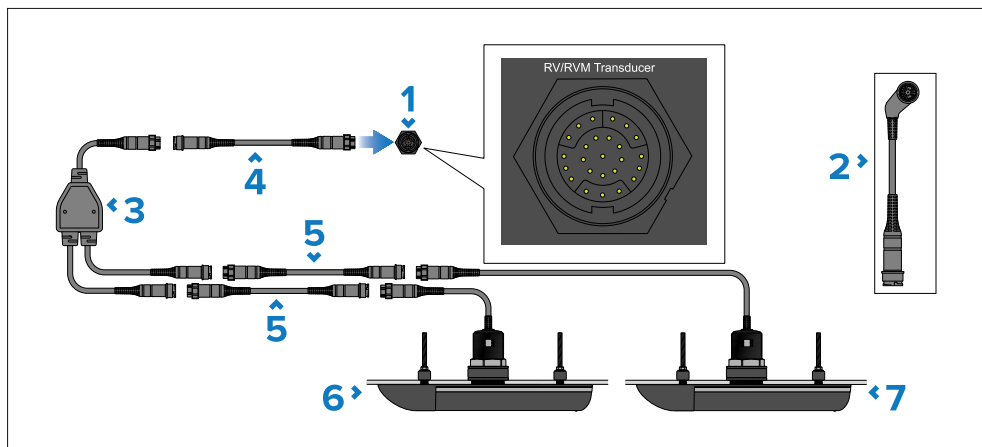
## CHAPTER CONTENTS

- 12.1 RealVision transducer connection — page 67
- 12.2 SideVision, DownVision and CPT-S transducer connection — page 68
- 12.3 CHIRP transducer connection — page 68
- 12.4 Traditional transducer connection — page 69

## 12.1 RealVision transducer connection

RealVision™ 3D and RealVision™ Max 3D transducers can be connected directly to the display's 25-pin **RV/RVM Transducer** connection using the cable(s) supplied with the transducers.

### Example — RealVision Max 3D split pair transducer connections



1. Display's **RV/RVM Transducer** 25-pin connector.
2. Optional right angled adaptor (part number: A80515) supplied separately (used to reduce the space required behind display).
3. 'Y' cable (supplied with split pair transducer packs)
4. 8 m (26.2 ft) extension cable (supplied with split pair transducer packs)
5. Optional extension cables can be fitted between the transducer and 'Y' cable if required, or between supplied extension cable and display.
6. Transducer, e.g.: RVM-412 Port.
7. Transducer, e.g.: RVM-412 Starboard.

For a list of compatible RealVision™ Max 3D transducers refer to:

[p.22 — RealVision™ Max 3D transducers](#)

For a list of compatible RealVision™ 3D transducers refer to:

[p.22 — RealVision™ 3D transducers](#)



### Warning: Transducer cables

Do not remove the transducer cable whilst the product is powered on, doing so can cause sparks. If the transducer cable is accidentally removed whilst the product is powered on, switch the product's power off, replace the cable and then switch the power back on.

### Caution: Do not cut transducer cables

- Cutting the transducer cable severely reduces sonar performance. If the cable is cut, it must be replaced, it cannot be repaired.
- Cutting the transducer cable will void the warranty and invalidate the European CE mark.



### Warning: Maximum transducer cable length

The maximum length of cable between a RealVision™ Max 3D transducer and a MFD/sonar module (including the transducer's captive cable) must NOT exceed 18 m (59 ft). Cable lengths greater than this may cause damage to the RealVision™ Max 3D transducer and MFD/sonar module.

## RealVision transducer extension cables

Transducers are supplied with a fitted cable, for some installations (including all split-pair transducer installations) it may be necessary to extend the length of the transducer cable.

### Note:

- For best performance, cable runs should be kept to a minimum.
- Only use Raymarine® transducer extension cables.

Raymarine® offers the following optional extension cables are available:

- RealVision™ transducer extension cable 3 m (9.8 ft) (part number A80475)
- RealVision™ transducer extension cable 5 m (16.4 ft) (part number A80476)
- RealVision™ transducer extension cable 8 m (26.2 ft) (part number A80477)

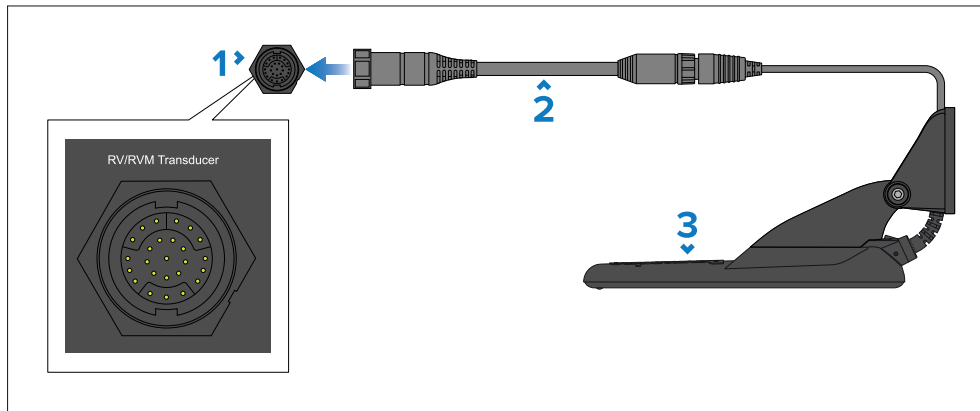


**Split pair transducers:** Extension cables fitted between the transducer and the ‘Y’ cable must be fitted in equal length pairs (i.e.: each transducer’s final cable length must be the same).

## 12.2 SideVision, DownVision and CPT-S transducer connection

SideVision™, DownVision™ and CPT-S transducers can be connected to the display’s **RV/RVM Transducer** connection using the RV 25-pin to DV 9-pin adaptor cable (part number: A80490).

### Example DownVision™ transducer connection



1. Display’s **RV/RVM Transducer** 25-pin connector.
2. RV 25-pin to DV 9-pin adaptor cable (part number: A80490).
3. Transducer (DownVision™ transducer illustrated).

For a list of compatible SideVision™ transducers refer to:  
[p.23 – SideVision™ transducers](#)

For a list of compatible DownVision™ transducers refer to:  
[p.24 – DownVision™ transducers](#)

For a list of compatible CPT-S transducers refer to:  
[p.24 – CPT-S conical beam transducers](#)

## DownVision™ transducer extension cable

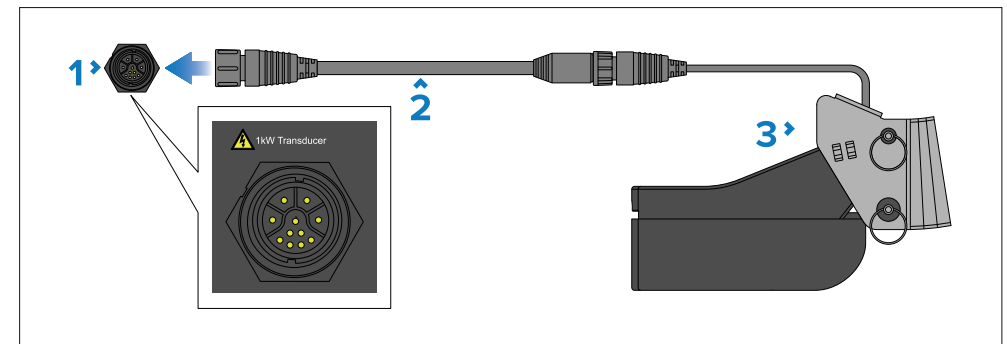
For best performance, cable runs should be kept to a minimum. However, for some installations it may be necessary to extend the transducer cable.

- A 4 m (13.1 ft) Transducer extension cable (Part number: A80273) is available.
- It is recommended that only one cable extension is used.

## 12.3 CHIRP transducer connection

CHIRP transducers can be connected directly to the display’s 11-pin **1kW Transducer** connection. B75 & B175 transducers require an operation cable (part number: A80328).

### Example CHIRP transducer connection



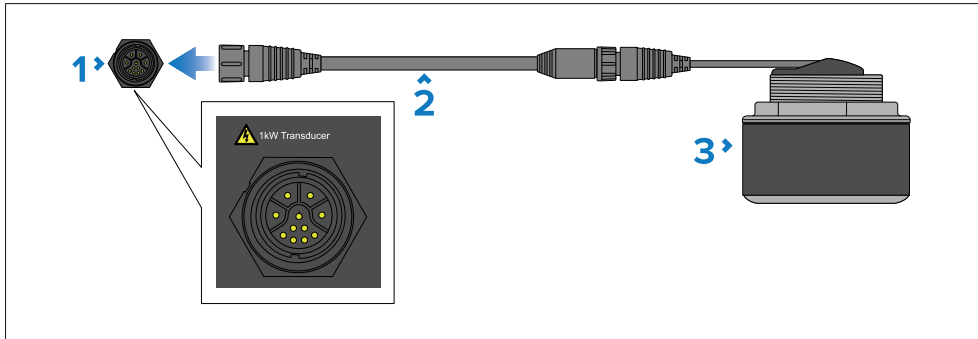
1. Display’s **1kW Transducer** 11-pin connector.
2. Operation cable (part number: A80328) is required for B75 & B175 transducers.
3. CHIRP transducer.

For a list of compatible CHIRP transducers refer to: [p.24 – CHIRP transducers](#)



## 12.4 Traditional transducer connection

Traditional transducers can be connected to the display's 11-pin **1kW Transducer** connection using the 11-pin to 8-pin adaptor cable (part number: A80496).



1. Display's **1kW Transducer** 11-pin connector.
2. 11-pin to 8-pin adaptor cable (part number: A80496).
3. Traditional transducer.

For a list of compatible traditional transducers refer to:  
[p.26 – Traditional transducers](#)

# CHAPTER 13: TRANSDUCER CONNECTIONS - AXIOM 2 PRO S

## CHAPTER CONTENTS

- [13.1 CPT-S transducer connection — page 71](#)

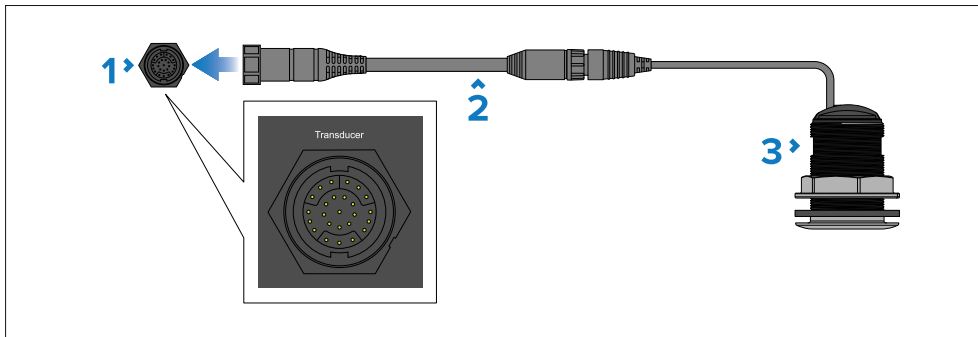
## 13.1 CPT-S transducer connection

CPT-S transducers can be connected to the display's **Transducer** connection using the RV 25-pin to DV 9-pin adaptor cable (part number: A80490).

**Note:**

You **CANNOT** connect RealVision™ Max 3D, RealVision™ 3D, DownVision™ or SideVision™ transducers to an **S** variant display.

### Example CPT—S transducer connection



1. Display's **Transducer** 25-pin connector.
2. RV 25-pin to DV 9-pin adaptor cable (part number: A80490).
3. CPT-S transducer.

For a list of compatible CPT-S transducers refer to:  
[p.24 – CPT-S conical beam transducers](#)

# CHAPTER 14: VIDEO CONNECTIONS

## CHAPTER CONTENTS

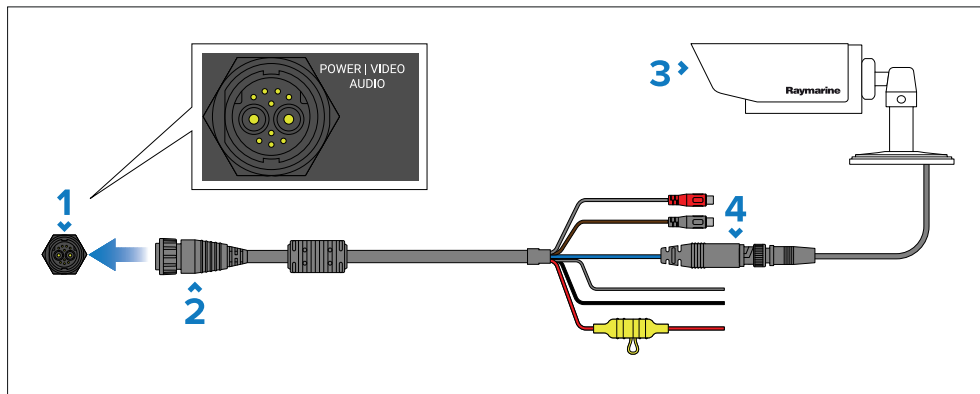
- [14.1 Analog video connection — page 73](#)
- [14.2 HDMI Out connection — page 73](#)

## 14.1 Analog video connection

Analog video feeds from sources such as a Thermal camera or Security camera can be connected to your display by connecting the device to the BNC connector on the display's power/video/audio cable. The video feed can be viewed using the Video app.

### Note:

The connected video is encoded as RTSP and streamed over ethernet to networked displays.



1. Display's **PWR/Video/Audio** connector.
2. Power/Video/Audio cable (supplied with your display).
3. Analog video device.
4. Analog video BNC connector.

For installation details, refer to the documentation provided with your analog video device.

### Note:

- Axiom® 2 Pro displays are supplied with a Power/video/audio cable that has a straight connector. A right angled connector cable is also available (part number: A80745 ).
- The original Axiom® Power/Video/NMEA 0183 cables cannot be used with Axiom® 2 Pro displays.

## 14.2 HDMI Out connection

You can mirror the Raymarine® display's screen and output its audio to an external third-party High Definition (HD) display, such as an HD TV or computer monitor.

Your Raymarine® display can be connected via the separately available *Micro HDMI (Type D) to HDMI accessory cable* (part number A80723). This cable connects to the Micro **HDMI Out** connector located on the rear of the Raymarine® display, and to an available HDMI input on the third-party display. The Raymarine® display screen can then be viewed by switching the third-party display's *input source* to the HDMI input that you connected your Raymarine® display to.

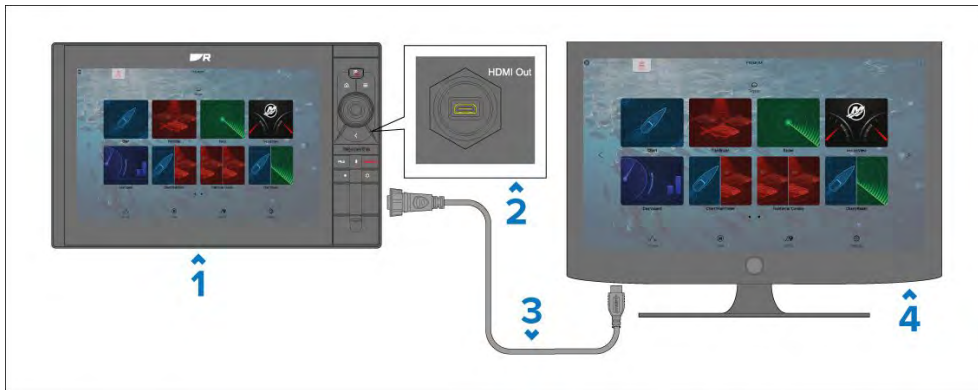
Alternatively, you can connect the Raymarine® display's HDMI out connection to a sound system that has an HDMI input connection. Depending on the connected device, this may support audio only.

The supported screen resolutions for the Raymarine® display's HDMI output are:

- 720 x 480p @ 60 Hz
- 720 x 576p @ 50 Hz
- 1280 x 720p @ 50 Hz / 60 Hz
- 1920 x 1080p @ 50 Hz / 60 Hz

### Note:

- The maximum supported HDMI cable length is 20 m (65.6 ft). If longer cable runs are needed, an HDMI extender (signal amplifier) is also required, available separately from suitable retailers.
- Ensure that the HDMI cable's locking collar is used to secure the cable to the Raymarine® display.



1. Raymarine® Display.
2. Raymarine® Display's **HDMI Out** connector.
3. Micro HDMI (Type D) to HDMI accessory cable (part number A80723)  
— Not supplied.
4. Third-party display.

# CHAPTER 15: AUDIO CONNECTIONS

## CHAPTER CONTENTS

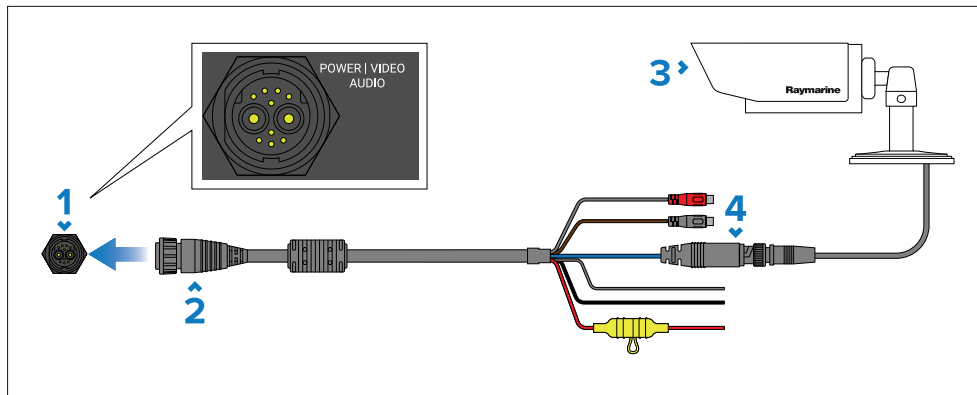
- [15.1 Audio \(RCA\) connections — page 76](#)

## 15.1 Audio (RCA) connections

The display can output audio from installed 3rd party apps, such as *Netflix* and *Spotify*, by connecting the **RCA Audio** connectors on the display's Power/audio/video cable to an audio input on an audio amplifier or entertainment system.

### Note:

Audio output requires an external audio amplifier or entertainment system.



1. Display's **PWR/Video/Audio** connector.
2. Power/video/audio cable, 1.5 m (4.9 ft).
3. Entertainment system with built-in amplifier.
4. Right auxiliary input (RCA; usually red male connector).
5. Left auxiliary input (RCA; usually white or black male connector).
6. Right RCA output (red female connector).
7. Left RCA output (black female connector).

### Note:

Audio can also be output from the display by connecting a Bluetooth speaker. For instructions on pairing a Bluetooth speaker, refer to the operations instructions for your display (Document number: 81406).

A Bluetooth speaker will take priority over RCA audio (i.e.: if both are connected, audio will only be output from the Bluetooth speaker. In this scenario, to output from RCA audio instead, switch the Bluetooth speaker off).



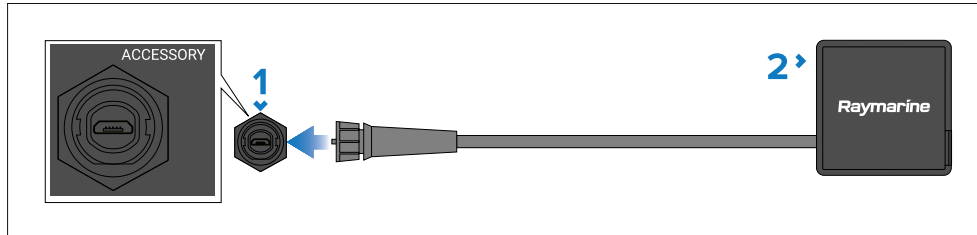
# CHAPTER 16: USB CONNECTIONS

## CHAPTER CONTENTS

- [16.1 Accessory connection — page 78](#)

## 16.1 Accessory connection

The display includes a built in dual slot MicroSD card reader. The **Accessory** connector can be used to expand storage capabilities by connecting an external memory card reader or external storage device to the display.

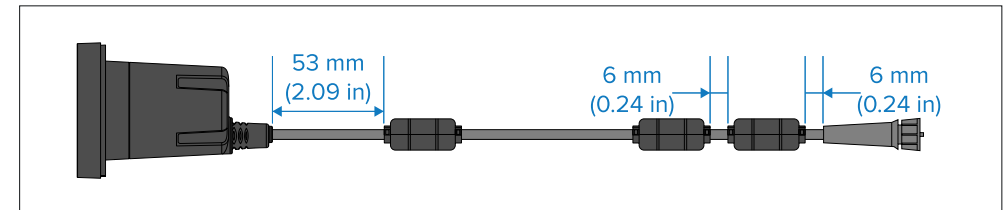


1. **ACCESSORY** connector.
2. Accessory device:
  - **RCR-SDUSB** (part number: A80440) — Includes 1x SD card slot (or MicroSD card when using an SD card adaptor) and 1x USB (Type A connector) (e.g. for connection of an external USB hard drive or pen / flash drive). The USB slot on the RCR-SDUSB can also supply 0.5A of current to charge mobile devices.
  - **RCR-1** (part number A80585) — Includes 1x MicroSD card slot.
  - **Bulkhead Mount Micro USB Socket** (part number: A80630) — Includes 1x Micro USB (Type Micro A connector) (e.g. for connection of an external USB hard drive or pen / flash drive; an additional adaptor may be required for the connection of some USB devices).
  - To save screenshots (.png files), *[External SD]* or *[External USB]* must be selected as the *[Screenshot File]* location on the *[This display]* tab in the main display settings menu (accessible from Homescreen).
  - To save video (.mov files ), *[External SD]* or *[External USB]* must be selected as the *[Save Files]* location on the *[Photo & Video recording]* tab in the Video app settings menu.

For installation details for these devices, please refer to the instructions provided with your accessory.

## Fitting suppression ferrites

In certain installation scenarios interference may be experienced in the form of data corruption when reading and writing to external storage via the card reader. Under these circumstances the supplied suppression ferrites should be fitted to the card reader's cable, as described below.



Two of the suppression ferrites should be fitted at 6 mm (0.24 in) intervals from the connector end of the cable and the third ferrite at a distance of 53 mm (2.09 in) from the rear of the card reader. Cable ties are also supplied to help secure each ferrite in place.



### Warning: USB device power

Do NOT connect any device to the product's USB connection that requires an external power source.

# CHAPTER 17: GPS ANTENNA CONNECTION

## CHAPTER CONTENTS

- [17.1 GNSS \(GPS\) antenna connection — page 80](#)

## 17.1 GNSS (GPS) antenna connection

For installations where the display does not have a clear view of the sky, or where a position fix is not possible or unreliable due to structure or other obstacles, a passive antenna (such as the GA200, part number A80589) can be connected to improve the performance of the display's internal GNSS (GPS) receiver. The antenna is connected to the **GPS Antenna** connector located on the rear of the display.



1. Passive GNSS (GPS) antenna:
  - **GA200** (part number: A80589); or:
  - **GA150** (part number: A80288)
2. **GPS Antenna** connector.

For installation details, refer to the documentation provided with your GNSS (GPS) antenna.

# CHAPTER 18: MAINTAINING YOUR DISPLAY

## CHAPTER CONTENTS

- 18.1 Service and maintenance — page 82
- 18.2 Product cleaning — page 82

## 18.1 Service and maintenance

This product contains no user serviceable components. Please refer all maintenance and repair to authorized Raymarine dealers. Unauthorized repair may affect your warranty.



### Warning: High voltage

This product contains high voltage. Do NOT remove covers or attempt to access internal components, unless specifically instructed in the documentation provided.



### Warning: FCC Warning (Part 15.21)

Changes or modifications to this equipment not expressly approved in writing by Raymarine Incorporated could violate compliance with FCC rules and void the user's authority to operate the equipment.

### Caution: Sun covers

- If your product is supplied with a sun cover, to protect against the damaging effects of ultraviolet (UV) light, always fit the sun cover when the product is not in use.
- To avoid potential loss, sun covers must be removed when travelling at high speed, whether in water or when the vessel is being towed.

## Routine equipment checks

It is recommended that you perform the following routine checks, on a regular basis, to ensure the correct and reliable operation of your equipment:

- Examine all cables for signs of damage or wear and tear.
- Check that all cables are securely connected.

## 18.2 Product cleaning

Best cleaning practices.

When cleaning products:

- Switch off power supply.
- Use a clean damp cloth to wipe clean.
- Do NOT use: abrasive, acidic, ammonia, solvent or other chemical based cleaning products.
- Do NOT use a jet wash.

### Cleaning the display case

The display is a sealed unit and does not require regular cleaning. If it is necessary to clean the display, follow this basic procedure:

1. Switch off the power to the display.
2. Wipe the case with a clean, lint-free cloth.
3. If necessary, use a mild detergent to remove grease marks.

### Cleaning the display screen

A coating is applied to the display screen. This makes it water repellent, and prevents glare. To avoid damaging this coating, follow this procedure:

1. Switch off the power to the display.
2. Rinse the screen with fresh water to remove all dirt particles and salt deposits.
3. Allow the screen to dry naturally.
4. If any smears remain, very gently wipe the screen with a clean microfibre cleaning cloth.

### Cleaning the sun cover

The supplied sun cover features an adhesive surface. In certain conditions unwanted contaminants may stick to this surface. To avoid damaging the monitor display, clean the sun cover regularly following this procedure:

1. Carefully remove the sun cover from the display.
2. Rinse the sun cover with fresh water to remove all dirt particles and salt deposits.
3. Allow the sun cover to dry naturally.

# CHAPTER 19: TROUBLESHOOTING

## CHAPTER CONTENTS

- 19.1 Troubleshooting — page 84
- 19.2 Power up troubleshooting — page 84
- 19.3 GNSS (GPS) troubleshooting — page 85
- 19.4 Sonar troubleshooting — page 86
- 19.5 Wi-Fi troubleshooting — page 88
- 19.6 Touchscreen troubleshooting — page 91
- 19.7 Miscellaneous troubleshooting — page 91

## 19.1 Troubleshooting

The troubleshooting section provides possible causes and the corrective action required for common problems that are associated with the installation and operation of your product.

Before packing and shipping, all Raymarine® products are subjected to comprehensive testing and quality assurance programs. If you do experience problems with your product, this section will help you to diagnose and correct problems to restore normal operation.

If after referring to this section you are still having problems with your product, please refer to the *Technical support* section of this manual for useful links and Raymarine® Product Support contact details.

## 19.2 Power up troubleshooting

### Product does not turn on or keeps turning off

Possible causes	Possible solutions
Blown fuse / tripped breaker.	<ol style="list-style-type: none"><li>1. Check condition of relevant fuses and breakers and connections, replace if necessary. (Refer to the <i>Technical Specification</i> section of your product's installation instructions for fuse ratings.)</li><li>2. If fuse keeps blowing check for cable damage, broken connector pins or incorrect wiring.</li></ol>
Poor / damaged / insecure power supply cable / connections	<ol style="list-style-type: none"><li>1. Check that the power cable connector is correctly orientated and fully inserted into the display connector and locked in position.</li><li>2. Check the power supply cable and connectors for signs of damage or corrosion, and replace if necessary.</li><li>3. With the display turned on, try flexing the power cable near to the display connector to see if this causes the unit to restart or lose power. Replace if necessary.</li><li>4. Check the vessel's battery voltage and the condition of the battery terminals and power supply cables, ensuring connections are secure, clean and free from corrosion. Replace if necessary.</li><li>5. With the product under load, using a multi-meter, check for high voltage drop across all connectors / fuses etc, and replace if necessary.</li></ol>
Incorrect power connection	The power supply may be wired incorrectly, ensure the installation instructions have been followed.

### Product will not start up (restart loop)



Possible causes	Possible solutions
Power supply and connection	See possible solutions from the table above, entitled 'Product does not turn on or keeps turning off'.
Software corruption	<ol style="list-style-type: none"> <li>In the unlikely event that the product's software has become corrupted, try downloading and installing the latest software from the Raymarine website.</li> <li>On display products, as a last resort, attempt to perform a 'Power on Reset'. Be aware that this will delete all settings / presets and user data (such as waypoints and tracks), and revert the unit back to factory defaults.</li> </ol>

## Performing a power on reset on an Axiom® 2 Pro display

### Important:

Before performing a power on reset ensure you have backed up your settings and user data to a memory card.

- Switch off power at the breaker to ensure that the display is completely powered off, and not in Standby mode. Alternatively, remove the power cable from the display.
- Plug the power cable back in or turn the breaker back on.
- If the display was previously in Standby then press the power button to power up the display, otherwise the display will power up when the power supply is reconnected.
- Within approximately 10 seconds of powering on your display, press and hold the *[Back]* and *[Menu]* buttons until the screen goes black and the Raymarine logo appears.  
The display will boot into Recovery mode.
- Use the directional controls to highlight *[Wipe data/factory reset]*.
- Press *[Ok]*.
- Use the directional controls to highlight *[Factory data reset]*.
- Press *[Ok]*.
- When 'Data wipe complete' is displayed, select *[Reboot system now]*.
- Press *[Ok]*.

## 19.3 GNSS (GPS) troubleshooting

Problems with the GNSS (GPS) and their possible causes and solutions are described here. Your position fix coordinates are displayed in the status area located in the top left corner of the Homescreen.

### No position fix

Possible causes	Possible solutions
Display installation location (e.g.: installed below decks or in close proximity to equipment which may cause interference).	Connect an external passive GNSS (GPS) antenna such as the GA200 to the display GPS antenna connection.
Internal GNSS (GPS) receiver disabled.	<p>When using your product's internal GNSS (GPS) receiver, ensure that it is enabled in the relevant settings menu.</p> <p>To access the relevant menu, select the status area located in the top left corner of the Homescreen and select <i>[Satellites]</i> and then select the <i>[Settings]</i> tab, locate the Internal GPS option and ensure it is enabled.</p>
External GNSS (GPS) receiver connection fault.	When using an external GNSS (GPS) receiver, ensure that connections are secure and that the cabling is free from damage.

Possible causes	Possible solutions
External GNSS (GPS) receiver or antenna location (e.g.: installed below decks or in close proximity to equipment which may cause interference).	Ensure the GNSS (GPS) receiver or antenna has a clear unobstructed view of the sky.  Refer to the documentation supplied with your external receiver / antenna and ensure location requirements have been adhered to.
Geographic location or prevailing conditions preventing satellite fix.	Check periodically to see if a fix is obtained in better conditions or another geographic location.

## 19.4 Sonar troubleshooting

Problems that can be encountered with your sonar module and possible causes and solutions are described here.

### Note:

Your product requires an external sonar module to be connected to enable use of the Fishfinder app.

This troubleshooting guide assumes that you have a compatible transducer connected to your external sonar module, which is correctly networked to your display.

### Scrolling image is not being displayed:

Possible causes	Possible solutions
Sonar disabled	Select <i>[Ping Enable]</i> from the Sonar app's Sounder menu.
Incorrect transducer selected	Check that the correct transducer is selected in the Sonar app's Transducer menu.

Possible causes	Possible solutions
Damaged cables	<ol style="list-style-type: none"> <li>1. Check that the transducer cable connector is fully inserted and locked in position.</li> <li>2. Check the power supply cable and connectors for signs of damage or corrosion, replace if necessary.</li> <li>3. With the unit turned on, try flexing the cable near to the display connector to see if this causes the unit to re-boot/lose power, replace if necessary.</li> <li>4. Check the vessel's battery voltage, the condition of the battery terminals and power supply cables, ensuring connections are secure, clean and free from corrosion, replace if necessary.</li> <li>5. With the product under load, using a multi-meter, check for high voltage drop across all connectors/fuses etc (this can cause the Sonar applications to stop scrolling or the unit to reset/turn off), replace if necessary.</li> </ol>
Damaged or fouled transducer	Check the condition of the transducer ensuring it is not damaged and is free from debris/fouling, clean or replace as necessary.
Wrong transducer fitted	Ensure the transducer is compatible with your system.
External sonar module: / RayNet network problem.	<ul style="list-style-type: none"> <li>• Check that the unit is correctly connected to the multifunction display or Raymarine network switch. If a crossover coupler or other coupler cable / adapter is used, check all connections ensuring connections are secure, clean and free from corrosion, replace if necessary.</li> </ul>
External sonar module: Software mismatch between equipment may prevent communication.	Ensure all Raymarine products contain the latest available software, check the Raymarine website: <a href="http://www.raymarine.com/software">www.raymarine.com/software</a> for software compatibility.

## No depth reading / lost bottom lock:

Possible causes	Possible solutions
Transducer location	Check that the transducer has been installed in accordance with the instructions provided with the transducer.
Transducer angle	If the transducer angle is too great the beam can miss the bottom, adjust transducer angle and recheck.
Transducer kicked-up	If the transducer has a kick-up mechanism, check that it has not kicked up due to hitting an object.
Power source insufficient	With the product under load, using a multi-meter, check the power supply voltage as close to the unit as possible to establish actual voltage when the current is flowing. (Check your product's Technical specification for power supply requirements.)
Damaged or fouled transducer	Check the condition of the transducer ensuring it is not damaged and is free from debris / fouling.

Possible causes	Possible solutions
Damaged cables	<ol style="list-style-type: none"> <li>1. Check the unit's connector for broken or bent pins.</li> <li>2. Check that the cable connector is fully inserted into the unit and that the locking collar is in the locked position.</li> <li>3. Check the cable and connectors for signs of damage or corrosion, replace if necessary.</li> <li>4. With the unit turned on, try flexing the power cable near to the display connector to see if this causes the unit to re-boot/loose power, replace if necessary.</li> <li>5. Check the vessel's battery voltage, the condition of the battery terminals and power supply cables, ensuring connections are secure, clean and free from corrosion, replace if necessary.</li> <li>6. With the product under load, using a multi-meter, check for high voltage drop across all connectors/fuses etc (this can cause the Sonar applications to stop scrolling or the unit to reset/turn off), replace if necessary.</li> </ol>
Vessel speed too high	Slow vessel speed and recheck.
Bottom too shallow or too deep	The bottom depth may be outside of the transducers depth range, move vessel to shallower or deeper waters as relevant and recheck.

## Poor / problematic image

Possible causes	Possible solutions
Vessel stationary	Fish arches are not displayed if the vessel is stationary; fish will appear on the display as straight lines.
Scrolling paused or speed set too low	Unpause or increase sonar scrolling speed.

Possible causes	Possible solutions
Sensitivity settings may be inappropriate for present conditions.	Check and adjust sensitivity settings or perform a Sonar reset.
Damaged cables	<ol style="list-style-type: none"> <li>1. Check the unit's connector for broken or bent pins.</li> <li>2. Check that the cable connector is fully inserted into the unit and that the locking collar is in the locked position.</li> <li>3. Check the cable and connectors for signs of damage or corrosion, replace if necessary.</li> <li>4. With the unit turned on, try flexing the power cable near to the display connector to see if this causes the unit to re-boot/loose power, replace if necessary.</li> <li>5. Check the vessel's battery voltage, the condition of the battery terminals and power supply cables, ensuring connections are secure, clean and free from corrosion, replace if necessary.</li> <li>6. With the product under load, using a multi-meter, check for high voltage drop across all connectors/fuses etc (this can cause the Sonar applications to stop scrolling or the unit to reset/turn off), replace if necessary.</li> </ol>
Transducer location	<ul style="list-style-type: none"> <li>• Check that the transducer has been installed in accordance with the instructions provided with the transducer.</li> <li>• If a transom mount transducer is mounted too high on the transom it may be lifting out of the water, check that the transducer face is fully submerged when planing and turning.</li> </ul>
Transducer kicked-up	If the transducer has a kick-up mechanism, check that it has not kicked up due to hitting an object.

Possible causes	Possible solutions
Damaged or fouled transducer	Check the condition of the transducer ensuring it is not damaged and is free from debris / fouling.
Damaged transducer cable	Check that the transducer cable and connection is free from damage and that the connections are secure and free from corrosion.
Turbulence around the transducer at higher speeds may affect transducer performance	Slow vessel speed and recheck.
Interference from another transducer	<ol style="list-style-type: none"> <li>1. Turn off the transducer causing the interference.</li> <li>2. Reposition the transducers so they are further apart.</li> </ol>
Unit power supply fault	Check the voltage from the power supply, if this is too low it can affect the transmitting power of the unit.

## 19.5 Wi-Fi troubleshooting

Before troubleshooting problems with your Wi-Fi connection, ensure that you have followed the Wi-Fi location requirements guidance provided in the relevant installation instructions and performed a power cycle/reboot of the devices you are experiencing problems with.

### Cannot find network

Possible cause	Possible solutions
Wi-Fi not currently enabled on devices.	Ensure Wi-Fi is enabled on both Wi-Fi devices and rescan available networks.
Some devices may automatically turn off Wi-Fi when not in use to save power.	Power cycle / reboot devices and rescan available networks.

Possible cause	Possible solutions
Device not broadcasting.	<ol style="list-style-type: none"> <li>1. Try to enable broadcasting of the device's network using the Wi-Fi settings on the device you are trying to connect to.</li> <li>2. You may still be able to connect to the device, when it is not broadcasting, by manually entering the device's Wi-Fi Name / SSID and passphrase in the connection settings of the device you are trying to connect.</li> </ol>
Devices out of range or signal being blocked.	Move devices closer together or, if possible remove the obstructions and then rescan available network.

### Cannot connect to network

Possible cause	Possible solutions
Some devices may automatically turn off Wi-Fi when not in use to save power.	Power cycle/reboot devices and retry the connection.
Trying to connect to the wrong Wi-Fi network	Ensure you are trying to connect to the correct Wi-Fi network, the Wi-Fi network's name can be found in the Wi-Fi settings on the broadcasting device (the device that you are trying to connect to).
Incorrect network credentials	Ensure you are using the correct passphrase, the Wi-Fi network's passphrase can be found in the Wi-Fi settings on the broadcasting device (the device that you are trying to connect to).

Possible cause	Possible solutions
Bulkheads, decks and other heavy structure can degrade and even block the Wi-Fi signal. Depending on the thickness and material used it may not always be possible to pass a Wi-Fi signal through certain structures	<ol style="list-style-type: none"> <li>1. Try repositioning the devices so the structure is removed from the direct line of sight between the devices, or</li> <li>2. If possible use a wired connection instead.</li> </ol>
Interference being caused by other Wi-Fi enabled or older Bluetooth enabled devices (Bluetooth and Wi-Fi both operate in the 2.4 GHz frequency range, some older bluetooth devices may interfere with Wi-Fi signals.)	<ol style="list-style-type: none"> <li>1. Change the Wi-Fi Channel of the device you are trying to connect to and retry the connection. You can use free Wi-Fi analyzer apps on your smart device to help you choose a better channel (channel with least traffic).</li> <li>2. Temporarily disable each wireless device in turn until you have identified the device causing the interference.</li> </ol>

Possible cause	Possible solutions
<p>Interference caused by other devices that use the 2.4GHz frequency See list below of some common devices that use the 2.4GHz frequency:</p> <ul style="list-style-type: none"> <li>• Microwave ovens</li> <li>• Fluorescent lighting</li> <li>• Cordless phones / baby monitors</li> <li>• Motion sensors</li> </ul>	<p>Temporarily switch off each device in turn until you have identified the device causing the interference, then remove or reposition the offending device(s).</p>
<p>Interference caused by electrical and electronic devices and associated cabling could generate an electromagnetic field which may interfere with the Wi-Fi signal.</p>	<p>Temporarily switch off each item in turn until you have identified the device causing the interference, then remove or reposition the offending device(s).</p>

## Connection extremely slow and or keeps dropping out

Possible cause	Possible solutions
<p>Wi-Fi performance degrades over distance so products farther away will receive less network bandwidth. Products installed close to their maximum Wi-Fi range will experience slow connection speeds, signal drop outs or not being able to connect at all.</p>	<ul style="list-style-type: none"> <li>• Move devices closer together.</li> <li>• For fixed installations such as a Quantum Radar, enable the Wi-Fi connection on an display installed closer to the device.</li> </ul>
<p>Interference being caused by other Wi-Fi enabled or older Bluetooth enabled devices (Bluetooth and Wi-Fi both operate in the 2.4 GHz frequency range, some older bluetooth devices may interfere with Wi-Fi signals.)</p>	<ol style="list-style-type: none"> <li>1. Change the Wi-Fi Channel of the device you are trying to connect to and retry the connection. You can use free Wi-Fi analyzer apps on your smart device to help you choose a better channel (channel with least traffic).</li> <li>2. Temporarily switch off each device in turn until you have identified the device causing the interference, then remove or reposition the offending device(s).</li> </ol>
<p>Interference from devices on other vessels. When in close proximity to other vessels, for example, when moored up in a marina, many other Wi-Fi signals may be present.</p>	<ol style="list-style-type: none"> <li>1. Change the Wi-Fi Channel of the device you are trying to connect to and retry the connection. You can use free Wi-Fi analyzer apps on your smart device to help you choose a better channel (channel with least traffic).</li> <li>2. If possible, move your vessel to a location with less Wi-Fi traffic.</li> </ol>

## Network connection established but no data

Possible cause	Possible solutions
Connected to the wrong network.	Ensure that your devices is connected to the correct network.
Device software incompatibility.	Ensure both devices are running the latest available software.
It may be possible that the device has become defective.	<ol style="list-style-type: none"><li>1. Try updating software to a later version, or</li><li>2. try reinstalling the software.</li><li>3. Obtain new replacement device.</li></ol>

## Mobile application running slowly or not at all

Possible cause	Possible solutions
Raymarine® app not installed	Install mobile app from relevant app store.
Raymarine® app version not compatible with display software	Ensure mobile app and display software are latest available versions.
Mobile apps not enabled on display	Enable “Viewing only” or “Remote Control” as required in the Mobile Apps setting on your display.

## 19.6 Touchscreen troubleshooting

Problems with the touchscreen and their possible causes and solutions are described here.

### Touchscreen does not operate as expected:

Possible causes	Possible solutions
TouchLock is enabled.	Swipe your finger from left to right across the [Power] button swipe area to de-activate the TouchLock.
Screen is not being operated with bare fingers, for example gloves are being worn.	Bare fingers must make contact with the screen for correct operation. Alternatively you may use conductive gloves.
Water deposits on the screen.	Carefully clean and dry the screen in accordance with the instructions provided.

## 19.7 Miscellaneous troubleshooting

Miscellaneous problems and their possible causes and solutions are described here.

### Display behaves erratically (Frequent unexpected resets/System crashes or other erratic behavior):

Possible causes	Possible solutions
Intermittent problem with power to the display.	<ul style="list-style-type: none"><li>• Check relevant fuses and breakers.</li><li>• Check that the power supply cable is sound and that all connections are tight and free from corrosion.</li><li>• Check that the power source is of the correct voltage and sufficient current.</li></ul>
Software mismatch on system (upgrade required).	Go to <a href="http://www.raymarine.com">www.raymarine.com</a> and click on support for the latest software downloads.
Corrupt data / other unknown issue.	Perform a factory reset.

#### Important:

This will result in the loss of any settings and data (such as waypoints) stored on the product. Save any important data to a memory card before resetting.

# CHAPTER 20: TECHNICAL SUPPORT

## CHAPTER CONTENTS

- 20.1 Raymarine product support and servicing — page 93
- 20.2 Learning resources — page 94



## 20.1 Raymarine product support and servicing

Raymarine provides a comprehensive product support service, as well as warranty, service, and repairs. You can access these services through the Raymarine website, telephone, and e-mail.

### Product information

If you need to request service or support, please have the following information to hand:

- Product name.
- Product identity.
- Serial number.
- Software application version.
- System diagrams.

You can obtain this product information using diagnostic pages of the connected display.

### Servicing and warranty

Raymarine offers dedicated service departments for warranty, service, and repairs.

Don't forget to visit the Raymarine website to register your product for extended warranty benefits: <https://www.raymarine.com/en-us/support/product-registration>

#### **United Kingdom (UK), EMEA, and Asia Pacific:**

- E-Mail: [emea.service@raymarine.com](mailto:emea.service@raymarine.com)
- Tel: +44 (0)1329 246 932

#### **United States (US):**

- E-Mail: [rm-usrepair@flir.com](mailto:rm-usrepair@flir.com)
- Tel: +1 (603) 324 7900

### Web support

Please visit the "Support" area of the Raymarine website for:

- **Manuals and Documents** — <http://www.raymarine.com/manuals>
- **Technical support forum** — <https://raymarine.custhelp.com/app/home>
- **Software updates** — <http://www.raymarine.com/software>

### Worldwide support

#### **United Kingdom (UK), EMEA, and Asia Pacific:**

[Technical support](#)

- Help desk: <https://raymarine.custhelp.com/app/home>
- Tel: +44 (0)1329 246 777

#### **United States (US):**

- Help desk: <https://raymarine.custhelp.com/app/home>
- Tel: +1 (603) 324 7900 (Toll-free: +800 539 5539)

#### **Australia and New Zealand (Raymarine subsidiary):**

- E-Mail: [aus.support@raymarine.com](mailto:aus.support@raymarine.com)
- Tel: +61 2 8977 0300

#### **France (Raymarine subsidiary):**

- E-Mail: [support.fr@raymarine.com](mailto:support.fr@raymarine.com)
- Tel: +33 (0)1 46 49 72 30

#### **Germany (Raymarine subsidiary):**

- E-Mail: [support.de@raymarine.com](mailto:support.de@raymarine.com)
- Tel: +49 40 237 808 0

#### **Italy (Raymarine subsidiary):**

- E-Mail: [support.it@raymarine.com](mailto:support.it@raymarine.com)
- Tel: +39 02 9945 1001

#### **Spain (Authorized Raymarine distributor):**

- E-Mail: [sat@azimut.es](mailto:sat@azimut.es)
- Tel: +34 96 2965 102

#### **Netherlands (Raymarine subsidiary):**

- E-Mail: [support.nl@raymarine.com](mailto:support.nl@raymarine.com)
- Tel: +31 (0)26 3614 905

#### **Sweden (Raymarine subsidiary):**

- E-Mail: [support.se@raymarine.com](mailto:support.se@raymarine.com)
- Tel: +46 (0)317 633 670

#### **Finland (Raymarine subsidiary):**

- E-Mail: [support.fi@raymarine.com](mailto:support.fi@raymarine.com)
- Tel: +358 (0)207 619 937

#### **Norway (Raymarine subsidiary):**

- E-Mail: [support.no@raymarine.com](mailto:support.no@raymarine.com)

- Tel: +47 692 64 600

### Denmark (Raymarine subsidiary):

- E-Mail: [support.dk@raymarine.com](mailto:support.dk@raymarine.com)

- Tel: +45 437 164 64

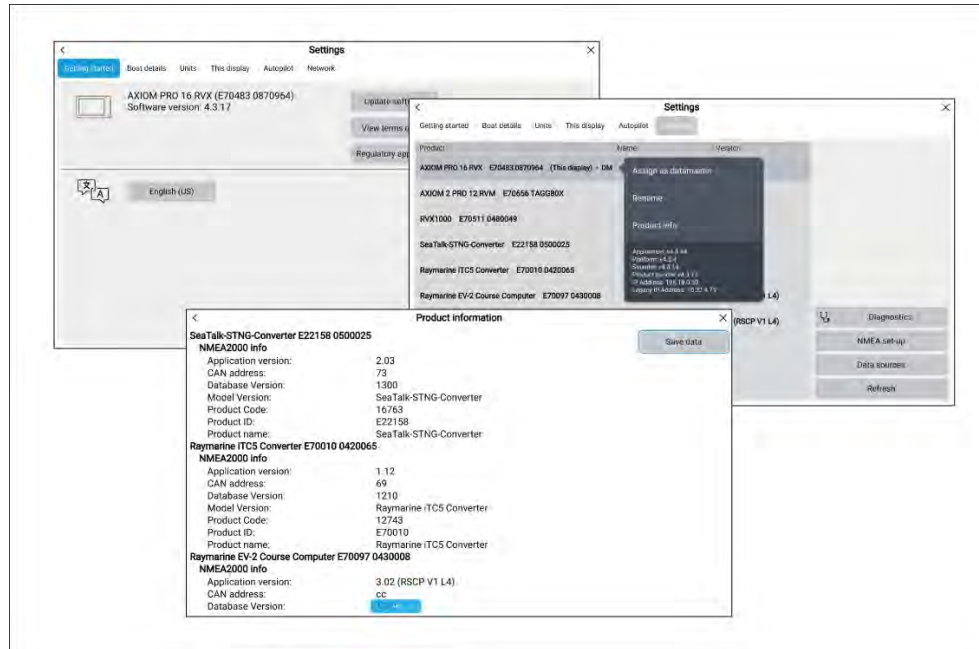
### Russia (Authorized Raymarine distributor):

- E-Mail: [info@mikstmarine.ru](mailto:info@mikstmarine.ru)

- Tel: +7 495 788 0508

## Viewing product information

Use the *[Settings]* menu to view hardware and software information about your display, and connected products.



1. Select *[Settings]*, from the Homescreen.  
The *[Getting started]* menu contains hardware and software information for your display.
2. You can view further information about your display, or view information about products networked using SeaTalkhs<sup>®</sup> and SeaTalkng<sup>®</sup> / NMEA 2000, by selecting the *[Network]* tab, then:

- i. to display detailed software information and your display's network IP address, select your display from the list.
- ii. to display detailed diagnostics information for all products, select *[Product info]* from the *[Diagnostics]* pop over menu.

## Remote Support via AnyDesk

LightHouse 3 software versions v3.13 or later support remote support functions via the preloaded AnyDesk app.

The AnyDesk app enables a Raymarine Product Support representative to remotely connect to and control your display over an Internet connection, for the purposes of technical support and troubleshooting.

To get started, you will first need to contact Raymarine Product Support. If the representative considers that your support case would benefit from a remote session, you need to first ensure that your display has an active Internet connection via Wi-Fi. Next, launch the AnyDesk app from your display's homescreen, and then provide the displayed unique ID to the Raymarine Product Support representative. Then follow any further instructions provided to you by the representative.

### Attention

- **AnyDesk is provided for troubleshooting and support purposes only, and is NOT intended to perform remote functions on your vessel. Raymarine will NOT be held liable for damage or injury to equipment or persons caused by the use of a remote connection to your display.**
- **Do not disclose your AnyDesk ID to anyone other than authorised Raymarine Product Support personnel.**
- **Do not use the AnyDesk app to remotely activate connected devices such as Autopilot, Radar or Sonar hardware.**

## 20.2 Learning resources

Raymarine has produced a range of learning resources to help you get the most out of your products.

### Video tutorials

*Raymarine official channel on YouTube*

- <http://www.youtube.com/user/RaymarineInc>

### **Training courses**

Raymarine regularly runs a range of in-depth training courses to help you make the most of your products. Visit the Training section of the Raymarine website for more information:

- <http://www.raymarine.co.uk/view/?id=2372>

### **Technical support forum**

You can use the Technical support forum to ask a technical question about a Raymarine product or to find out how other customers are using their Raymarine equipment. The resource is regularly updated with contributions from Raymarine customers and staff:

- <https://raymarine.custhelp.com/app/home>

# CHAPTER 21: AXIOM 2 PRO 9 TECHNICAL SPECIFICATION

## CHAPTER CONTENTS

- 21.1 Power specification — page 97
- 21.2 Environmental specification — page 97
- 21.3 LCD specification — page 97
- 21.4 Physical specification — page 97
- 21.5 Internal GNSS (GPS) receiver specification — page 98
- 21.6 Connections specification — page 98
- 21.7 RVM variant sonar specification — page 99
- 21.8 S variant sonar specification — page 99
- 21.9 Conformance/approvals — page 99
- 21.10 Product markings — page 100

## 21.1 Power specification

Specification	
<b>Nominal supply voltage:</b>	12 V / 24 V dc
<b>Operating voltage range:</b>	8 V dc to 32 V dc
<b>Current (Maximum):</b>	5 A
<b>Off-current (Maximum @ 12 V dc):</b>	11 mA (0.13 Watts)
<b>Off-current (Maximum @ 24V dc):</b>	18 mA (0.43 Watts)
<b>Fuse requirements:</b>	<ul style="list-style-type: none"> <li>• Inline fuse = 15 Amp, or</li> <li>• Thermal breaker = 15 Amp</li> </ul>
<b>Power consumption Max @ 12 V dc:</b>	<ul style="list-style-type: none"> <li>• RVM: 44.4 Watts</li> <li>• S: 31.2 Watts</li> </ul>
<b>Power consumption Max @ 24 V dc:</b>	<ul style="list-style-type: none"> <li>• RVM: 40.9 Watts</li> <li>• S: 29.6 Watts</li> </ul>

### Note:

Power consumption figures for RVM variant displays were taken using a RealVision™ Max transducer connected. Power consumption figures for S variant displays were taken using a CPT-S transducer connected.

## 21.2 Environmental specification

Specification	
<b>Operating temperature range:</b>	-25°C (-13°F) to + 55°C (131°F)
<b>Storage temperature range:</b>	-30°C (-22°F) to + 70°C (158°F)
<b>Humidity:</b>	up to 93% @ 40°C (104°F)
<b>Water ingress protection:</b>	IPx6 and IPx7
<b>Installation location:</b>	<ul style="list-style-type: none"> <li>• Above decks</li> <li>• Below decks</li> </ul>

## 21.3 LCD specification

Specification	
<b>Size (diagonal):</b>	9.0"
<b>Type:</b>	IPS (In-Plane Switching)
<b>Color depth:</b>	24-bit
<b>Resolution:</b>	1280 x 720 (HD)
<b>Aspect ratio:</b>	16:9
<b>Brightness / Luminance:</b>	1300 nits / 1300 cd/m <sup>2</sup>
<b>Viewing angle:</b>	Top 88° / Bottom 88° / Left 88° / Right 88°
<b>Number of simultaneous touches:</b>	1 to 16

## 21.4 Physical specification

Specification	
<b>Gross (boxed) product weight:</b>	<ul style="list-style-type: none"> <li>• S variant: 5.03 kg (11.09 lbs)</li> <li>• RVM variant: 5.16 kg (11.38 lbs)</li> </ul>
<b>Net (unboxed) product weight:</b>	<ul style="list-style-type: none"> <li>• S variant: 2.82 kg (6.22 lbs)</li> <li>• RVM variant: 2.98 kg (6.57 lbs)</li> </ul>
<b>Dimensions (surface / flush mounted):</b>	Height: 173.79 mm (6.84 in), Width: 299.32 mm (11.78 in), Depth (including cables): 234.9 mm (9.25 in)
<b>Dimensions (trunnion mounted):</b>	Height: 186.2 mm (7.33 in), Width: 329.5 mm (12.97 in), Depth (including cables): 234.9 mm (9.25 in)
<b>Internal storage:</b>	64 GB solid state.
<b>External storage:</b>	Dual slot MicroSDXC card reader

## 21.5 Internal GNSS (GPS) receiver specification

Specification	
<b>Almanac Update:</b>	Automatic
<b>Antenna:</b>	Internal antenna, optional external antenna connection.
<b>Channels:</b>	Track up to 28 satellites simultaneously.
<b>Cold start (Time To First Fix):</b>	<2 minutes.
<b>Geodetic Datum:</b>	WGS-84 (alternatives can be selected on the display)
<b>GNSS compatibility:</b>	<ul style="list-style-type: none"> <li>• GPS</li> <li>• GLONASS</li> <li>• Beidou</li> <li>• Galileo</li> </ul>
<b>Operating frequency:</b>	1574 MHz to 1605 MHz.
<b>Position Accuracy:</b>	<ul style="list-style-type: none"> <li>• Without SBAS: &lt;= 15 meters 95% of the time.</li> <li>• With SBAS: &lt;= 5 meters 95% of the time.</li> </ul>
<b>Receiver IC Sensitivity:</b>	<ul style="list-style-type: none"> <li>• 165 dBm (Tracking)</li> <li>• 160 dBm (Re-acquisition)</li> <li>• 148 dBm (Cold start)</li> </ul>
<b>Refresh Rate:</b>	10 Hz (10 times per second)
<b>SBAS compatibility:</b>	<ul style="list-style-type: none"> <li>• EGNOS</li> <li>• GAGAN</li> <li>• MSAS</li> <li>• QZSS</li> <li>• WAAS</li> </ul>
<b>Signal Acquisition:</b>	Automatic

## 21.6 Connections specification

Specification	
<b>Accessory connection:</b>	USB Micro B (for external card reader connection).
<b>Analog video connections:</b>	Composite BNC connectors via Power/Video/Audio cable.
<b>Audio connections:</b>	Left and Right RCA connectors via Power/Video/Audio cable.
<b>Ethernet connections:</b>	RayNet (10/100/1,000 Mbits/s) x 2.
<b>GPS antenna connection:</b>	TNC type connector.
<b>HDMI connections:</b>	Micro HDMI (Type D) (v1.4b) output connector.
<b>NMEA 0183 connection:</b>	NMEA 0183 TO NMEA 2000 convertor required (part number: A80721).
<b>NMEA 2000 connection:</b>	DeviceNet connector (Load Equivalency Number = 1).
<b>Bluetooth connection:</b>	Bluetooth: v4.0 combined with Wi-Fi module.
<b>Wi-Fi connection:</b>	<p>Multiband - 2.4GHz, and 5Ghz 802.11b/g/n</p> <ul style="list-style-type: none"> <li>• Dual MIMO (Multiple In, Multiple Out) @ 2.4 GHz <ul style="list-style-type: none"> <li>– 1x Antenna is used for Wi-Fi only</li> <li>– 1x Antenna is used for both Wi-Fi and Bluetooth</li> </ul> </li> </ul> <p>2.4GHz only (can simultaneously operate as an access point and as a host)</p> <ul style="list-style-type: none"> <li>• SISO (Single In, Single Out) @ 5 GHz <ul style="list-style-type: none"> <li>– 1x Antenna is used for Wi-Fi only</li> <li>– 1x Antenna is used for Bluetooth only</li> </ul> </li> </ul>

## Specification

**Transducer connections (RVM variants):**

- 25-pin RV / RVM connector.
- 11-pin 1kW connector.

**Transducer connections (S variants):** 25-pin RV / RVM connector (requires adaptor cable for CPT-S only transducers).

## 21.7 RVM variant sonar specification

### Sonar channels

Your product supports the following sonar channels:

### RV / RVM transducer connection

#### CHIRP sonar channels

3D Vision (RealVision™)	DownVision™
SideVision™	High CHIRP
Sonar (CPT-S transducer)	

### 1 kW transducer connection

#### CHIRP / traditional sonar channels

High CHIRP	Medium CHIRP
Low CHIRP	Low frequency
Conical sonar	Medium frequency
High frequency	

### Sonar range

The sonar range is the effective depth or distance that the transducer can operate to, **in optimum weather conditions**.

The following ranges apply to RealVision™ Max 3D sonar channels:

#### Note:

The listed sonar channel ranges are indicative only, and may differ depending on the transducer in use, the installation, and the prevailing water conditions.

## Sonar channel

## Range

<b>CHIRP sonar:</b>	0.6 m (2 ft) to 366 m (1,200 ft)
<b>DownVision™:</b>	0.6 m (2 ft) to 183 m (600 ft)
<b>SideVision™:</b>	0.6 m (2 ft) to 91 m (300 ft)
<b>RealVision™ Max 3D:</b>	0.6 m (2 ft) to 91 m (300 ft)

### Traditional sonar range

The following ranges apply to Traditional sonar channels:

## Sonar channel

## Range

<b>Traditional sonar:</b>	0.9 m (3 ft) to 1,524 m (5,000 ft) (in optimum conditions, using a 1 kW transducer)
---------------------------	---

## 21.8 S variant sonar specification

The sonar range is the effective depth or distance that the transducer can operate to, **in optimum weather conditions**.

## CHIRP sonar channel

## Range

<b>100 W Sonar (conical beam):</b>	0.6 m (2 ft) to 274 m (900 ft), depending on water conditions
------------------------------------	---

## 21.9 Conformance/approvals

This product is compliant or approved to the following standards or by the listed entities.

- Radio Equipment Directive 2014/53/EU
- EN 60945:2002 (Europe, Australia New Zealand)
- FCC Part 15C and Part 15E
- ISED ICES-003
- NMEA 2000 certified

## 21.10 Product markings

The product includes the following approval / compliance markings and/or IDs.

- UKCA
- CE
- FCC
- ISED
- Japan
- Australian Tick
- Brazil Anatel
- WEEE Directive



# CHAPTER 22: AXIOM 2 PRO 12 TECHNICAL SPECIFICATION

## CHAPTER CONTENTS

- 22.1 Power specification — page 102
- 22.2 Environmental specification — page 102
- 22.3 LCD specification — page 102
- 22.4 Physical specification — page 102
- 22.5 Connections specification — page 103
- 22.6 Internal GNSS (GPS) receiver specification — page 103
- 22.7 RVM variant sonar specification — page 104
- 22.8 S variant sonar specification — page 104
- 22.9 Conformance/approvals — page 104
- 22.10 Product markings — page 105

## 22.1 Power specification

Specification	
<b>Nominal supply voltage:</b>	12 V / 24 V dc
<b>Operating voltage range:</b>	8 V dc to 32 V dc
<b>Current (Maximum):</b>	5 A
<b>Off-current (Maximum @ 12 V dc):</b>	11 mA (0.13 Watts)
<b>Off-current (Maximum @ 24V dc):</b>	18 mA (0.43 Watts)
<b>Fuse requirements:</b>	<ul style="list-style-type: none"><li>• Inline fuse = 15 Amp, or</li><li>• Thermal breaker = 15 Amp</li></ul>
<b>Power consumption Max @ 12 V dc:</b>	<ul style="list-style-type: none"><li>• RVM: 37.2 Watts</li><li>• S: 24.6 Watts</li></ul>
<b>Power consumption Max @ 24 V dc:</b>	<ul style="list-style-type: none"><li>• RVM: 35.3 Watts</li><li>• S: 23.6 Watts</li></ul>

### Note:

Power consumption figures for RVM variant displays were taken using a RealVision™ Max transducer connected. Power consumption figures for S variant displays were taken using a CPT-S transducer connected.

## 22.2 Environmental specification

Specification	
<b>Operating temperature range:</b>	-25°C (-13°F) to + 55°C (131°F)
<b>Storage temperature range:</b>	-30°C (-22°F) to + 70°C (158°F)
<b>Humidity:</b>	up to 93% @ 40°C (104°F)
<b>Water ingress protection:</b>	IPx6 and IPx7
<b>Installation location:</b>	<ul style="list-style-type: none"><li>• Above decks</li><li>• Below decks</li></ul>

## 22.3 LCD specification

Specification	
<b>Size (diagonal):</b>	12.1"
<b>Type:</b>	IPS (In-Plane Switching)
<b>Color depth:</b>	24-bit
<b>Resolution:</b>	1280 x 800 (WXGA)
<b>Aspect ratio:</b>	16:10
<b>Brightness / Luminance:</b>	1200 nits / 1200 cd/m <sup>2</sup>
<b>Viewing angle:</b>	Top 88° / Bottom 88° / Left 88° / Right 88°
<b>Number of simultaneous touches:</b>	1 to 16

## 22.4 Physical specification

Specification	
<b>Gross (boxed) product weight:</b>	<ul style="list-style-type: none"><li>• S variant: 6.81 kg (15.01 lbs)</li><li>• RVM variant: 6.92 kg (15.26 lbs)</li></ul>
<b>Net (unboxed) product weight:</b>	<ul style="list-style-type: none"><li>• S variant: 4.19 kg (9.24 lbs)</li><li>• RVM variant: 4.30 kg (9.48 lbs)</li></ul>
<b>Dimensions (surface/flush mounted):</b>	Height: 222.8 mm (8.77 in), Width: 358.03 mm (14.1 in), Depth (including cables): 233.4 mm (9.18 in)
<b>Dimensions (trunnion mounted):</b>	Height: 246.13 mm (9.69 in), Width: 388.5 mm (15.3 in), Depth (including cables): 233.4 mm (9.18 in)
<b>Internal storage:</b>	64 GB solid state.
<b>External storage:</b>	Dual slot MicroSDXC card reader

## 22.5 Connections specification

Specification	
<b>Accessory connection:</b>	USB Micro B (for external card reader connection).
<b>Analog video connections:</b>	Composite BNC connectors via Power/Video/Audio cable.
<b>Audio connections:</b>	Left and Right RCA connectors via Power/Video/Audio cable.
<b>Ethernet connections:</b>	RayNet (10/100/1,000 Mbits/s) x 2.
<b>GPS antenna connection:</b>	TNC type connector.
<b>HDMI connections:</b>	Micro HDMI (Type D) (v1.4b) output connector.
<b>NMEA 0183 connection:</b>	NMEA 0183 TO NMEA 2000 convertor required (part number: A80721).
<b>NMEA 2000 connection:</b>	DeviceNet connector (Load Equivalency Number = 1).
<b>Bluetooth connection:</b>	Bluetooth: v4.0 combined with Wi-Fi module.
<b>Wi-Fi connection:</b>	<p>Multiband - 2.4GHz, and 5Ghz 802.11b/g/n</p> <ul style="list-style-type: none"> <li>• Dual MIMO (Multiple In, Multiple Out) @ 2.4 GHz               <ul style="list-style-type: none"> <li>– 1x Antenna is used for Wi-Fi only</li> <li>– 1x Antenna is used for both Wi-Fi and Bluetooth</li> </ul> </li> </ul> <p>2.4GHz only (can simultaneously operate as an access point and as a host)</p> <ul style="list-style-type: none"> <li>• SISO (Single In, Single Out) @ 5 GHz               <ul style="list-style-type: none"> <li>– 1x Antenna is used for Wi-Fi only</li> <li>– 1x Antenna is used for Bluetooth only</li> </ul> </li> </ul>

Specification	
<b>Transducer connections (RVM variants):</b>	<ul style="list-style-type: none"> <li>• 25-pin RV / RVM connector.</li> <li>• 11-pin 1kW connector.</li> </ul>
<b>Transducer connections (S variants):</b>	25-pin RV / RVM connector (requires adaptor cable for CPT-S only transducers).

## 22.6 Internal GNSS (GPS) receiver specification

Specification	
<b>Almanac Update:</b>	Automatic
<b>Antenna:</b>	Internal antenna, optional external antenna connection.
<b>Channels:</b>	Track up to 28 satellites simultaneously.
<b>Cold start (Time To First Fix):</b>	<2 minutes.
<b>Geodetic Datum:</b>	WGS-84 (alternatives can be selected on the display)
<b>GNSS compatibility:</b>	<ul style="list-style-type: none"> <li>• GPS</li> <li>• GLONASS</li> <li>• Beidou</li> <li>• Galileo</li> </ul>
<b>Operating frequency:</b>	1574 MHz to 1605 MHz.
<b>Position Accuracy:</b>	<ul style="list-style-type: none"> <li>• Without SBAS: &lt;= 15 meters 95% of the time.</li> <li>• With SBAS: &lt;= 5 meters 95% of the time.</li> </ul>
<b>Receiver IC Sensitivity:</b>	<ul style="list-style-type: none"> <li>• 165 dBm (Tracking)</li> <li>• 160 dBm (Re-acquisition)</li> <li>• 148 dBm (Cold start)</li> </ul>
<b>Refresh Rate:</b>	10 Hz (10 times per second)

## Specification

<b>SBAS compatibility:</b>	<ul style="list-style-type: none"><li>• EGNOS</li><li>• GAGAN</li><li>• MSAS</li><li>• QZSS</li><li>• WAAS</li></ul>
----------------------------	--

<b>Signal Acquisition:</b>	Automatic
----------------------------	-----------

## 22.7 RVM variant sonar specification

### Sonar channels

Your product supports the following sonar channels:

### RV / RVM transducer connection

#### CHIRP sonar channels

3D Vision (RealVision™)	DownVision™
SideVision™	High CHIRP
Sonar (CPT-S transducer)	

### 1 kW transducer connection

#### CHIRP / traditional sonar channels

High CHIRP	Medium CHIRP
Low CHIRP	Low frequency
Conical sonar	Medium frequency
High frequency	

### Sonar range

The sonar range is the effective depth or distance that the transducer can operate to, **in optimum weather conditions**.

The following ranges apply to RealVision™ Max 3D sonar channels:

### Note:

The listed sonar channel ranges are indicative only, and may differ depending on the transducer in use, the installation, and the prevailing water conditions.

Sonar channel	Range
<b>CHIRP sonar:</b>	0.6 m (2 ft) to 366 m (1,200 ft)
<b>DownVision™:</b>	0.6 m (2 ft) to 183 m (600 ft)
<b>SideVision™:</b>	0.6 m (2 ft) to 91 m (300 ft)
<b>RealVision™ Max 3D:</b>	0.6 m (2 ft) to 91 m (300 ft)

### Traditional sonar range

The following ranges apply to Traditional sonar channels:

Sonar channel	Range
<b>Traditional sonar:</b>	0.9 m (3 ft) to 1,524 m (5,000 ft) (in optimum conditions, using a 1 kW transducer)

## 22.8 S variant sonar specification

The sonar range is the effective depth or distance that the transducer can operate to, **in optimum weather conditions**.

CHIRP sonar channel	Range
<b>100 W Sonar (conical beam):</b>	0.6 m (2 ft) to 274 m (900 ft), depending on water conditions

## 22.9 Conformance/approvals

This product is compliant or approved to the following standards or by the listed entities.

- Radio Equipment Directive 2014/53/EU
- EN 60945:2002 (Europe, Australia New Zealand)
- FCC Part 15C and Part 15E
- ISED ICES-003

- NMEA 2000 certified

## 22.10 Product markings

The product includes the following approval / compliance markings and/or IDs.

- UKCA
- CE
- FCC
- ISED
- Japan
- Australian Tick
- Brazil Anatel
- WEEE Directive

# CHAPTER 23: AXIOM 2 PRO 16 TECHNICAL SPECIFICATION

## CHAPTER CONTENTS

- 23.1 Power specification — page 107
- 23.2 Environmental specification — page 107
- 23.3 LCD specification — page 107
- 23.4 Physical specification — page 107
- 23.5 Connections specification — page 108
- 23.6 Internal GNSS (GPS) receiver specification — page 108
- 23.7 RVM variant sonar specification — page 109
- 23.8 S variant sonar specification — page 109
- 23.9 Conformance/approvals — page 109
- 23.10 Product markings — page 110

## 23.1 Power specification

Specification	
<b>Nominal supply voltage:</b>	12 V / 24 V dc
<b>Operating voltage range:</b>	8 V dc to 32 V dc
<b>Current (Maximum):</b>	5 A
<b>Off-current (Maximum @ 12 V dc):</b>	11 mA (0.13 Watts)
<b>Off-current (Maximum @ 24V dc):</b>	18 mA (0.43 Watts)
<b>Fuse requirements:</b>	<ul style="list-style-type: none"><li>• Inline fuse = 15 Amp, or</li><li>• Thermal breaker = 15 Amp</li></ul>
<b>Power consumption Max @ 12 V dc:</b>	<ul style="list-style-type: none"><li>• RVM: 50.8 Watts</li><li>• S: 38.4 Watts</li></ul>
<b>Power consumption Max @ 24 V dc:</b>	<ul style="list-style-type: none"><li>• RVM : 47.1 Watts</li><li>• S: 37.7 Watts</li></ul>

### Note:

Power consumption figures for RVM variant displays were taken using a RealVision™ Max transducer connected. Power consumption figures for S variant displays were taken using a CPT-S transducer connected.

## 23.2 Environmental specification

Specification	
<b>Operating temperature range:</b>	-25°C (-13°F) to + 55°C (131°F)
<b>Storage temperature range:</b>	-30°C (-22°F) to + 70°C (158°F)
<b>Humidity:</b>	up to 93% @ 40°C (104°F)
<b>Water ingress protection:</b>	IPx6 and IPx7
<b>Installation location:</b>	<ul style="list-style-type: none"><li>• Above decks</li><li>• Below decks</li></ul>

## 23.3 LCD specification

Specification	
<b>Size (diagonal):</b>	15.6"
<b>Type:</b>	IPS (In-Plane Switching)
<b>Color depth:</b>	24-bit
<b>Resolution:</b>	1920 x 1080 (Full HD)
<b>Aspect ratio:</b>	16:9
<b>Brightness / Luminance:</b>	1200 nits / 1200 cd/m <sup>2</sup>
<b>Viewing angle:</b>	Top 88° / Bottom 88° / Left 88° / Right 88°
<b>Number of simultaneous touches:</b>	1 to 16

## 23.4 Physical specification

Specification	
<b>Gross (boxed) product weight:</b>	<ul style="list-style-type: none"><li>• S variant: 9.02 kg (19.89 lbs)</li><li>• RVM variant: 9.18 kg (20.24 lbs)</li></ul>
<b>Net (unboxed) product weight:</b>	<ul style="list-style-type: none"><li>• S variant: 5.98 kg (13.18 lbs)</li><li>• RVM variant: 6.02 kg (13.27 lbs)</li></ul>
<b>Dimensions (surface / flush mounted):</b>	Height: 258 mm (10.16 in), Width: 452.02 mm (17.8 in), Depth (including cables): 240.4 mm (9.46 in)
<b>Dimensions (trunnion mounted):</b>	Height: 281.20 mm (11.10 in), Width: 482.50 mm (19.00 in), Depth (including cables): 241.40 mm (9.50 in)
<b>Internal storage:</b>	64 GB solid state.
<b>External storage:</b>	Dual slot MicroSDXC card reader

## 23.5 Connections specification

Specification	
<b>Accessory connection:</b>	USB Micro B (for external card reader connection).
<b>Analog video connections:</b>	Composite BNC connectors via Power/Video/Audio cable.
<b>Audio connections:</b>	Left and Right RCA connectors via Power/Video/Audio cable.
<b>Ethernet connections:</b>	RayNet (10/100/1,000 Mbits/s) x 2.
<b>GPS antenna connection:</b>	TNC type connector.
<b>HDMI connections:</b>	Micro HDMI (Type D) (v1.4b) output connector.
<b>NMEA 0183 connection:</b>	NMEA 0183 TO NMEA 2000 convertor required (part number: A80721).
<b>NMEA 2000 connection:</b>	DeviceNet connector (Load Equivalency Number = 1).
<b>Bluetooth connection:</b>	Bluetooth: v4.0 combined with Wi-Fi module.
<b>Wi-Fi connection:</b>	<p>Multiband - 2.4GHz, and 5Ghz 802.11b/g/n</p> <ul style="list-style-type: none"> <li>• Dual MIMO (Multiple In, Multiple Out) @ 2.4 GHz               <ul style="list-style-type: none"> <li>– 1x Antenna is used for Wi-Fi only</li> <li>– 1x Antenna is used for both Wi-Fi and Bluetooth</li> </ul> </li> </ul> <p>2.4GHz only (can simultaneously operate as an access point and as a host)</p> <ul style="list-style-type: none"> <li>• SISO (Single In, Single Out) @ 5 GHz               <ul style="list-style-type: none"> <li>– 1x Antenna is used for Wi-Fi only</li> <li>– 1x Antenna is used for Bluetooth only</li> </ul> </li> </ul>

Specification	
<b>Transducer connections (RVM variants):</b>	<ul style="list-style-type: none"> <li>• 25-pin RV / RVM connector.</li> <li>• 11-pin 1kW connector.</li> </ul>
<b>Transducer connections (S variants):</b>	25-pin RV / RVM connector (requires adaptor cable for CPT-S only transducers).

## 23.6 Internal GNSS (GPS) receiver specification

Specification	
<b>Almanac Update:</b>	Automatic
<b>Antenna:</b>	Internal antenna, optional external antenna connection.
<b>Channels:</b>	Track up to 28 satellites simultaneously.
<b>Cold start (Time To First Fix):</b>	<2 minutes.
<b>Geodetic Datum:</b>	WGS-84 (alternatives can be selected on the display)
<b>GNSS compatibility:</b>	<ul style="list-style-type: none"> <li>• GPS</li> <li>• GLONASS</li> <li>• Beidou</li> <li>• Galileo</li> </ul>
<b>Operating frequency:</b>	1574 MHz to 1605 MHz.
<b>Position Accuracy:</b>	<ul style="list-style-type: none"> <li>• Without SBAS: &lt;= 15 meters 95% of the time.</li> <li>• With SBAS: &lt;= 5 meters 95% of the time.</li> </ul>
<b>Receiver IC Sensitivity:</b>	<ul style="list-style-type: none"> <li>• 165 dBm (Tracking)</li> <li>• 160 dBm (Re-acquisition)</li> <li>• 148 dBm (Cold start)</li> </ul>
<b>Refresh Rate:</b>	10 Hz (10 times per second)



## Specification

<b>SBAS compatibility:</b>	<ul style="list-style-type: none"><li>• EGNOS</li><li>• GAGAN</li><li>• MSAS</li><li>• QZSS</li><li>• WAAS</li></ul>
----------------------------	--

<b>Signal Acquisition:</b>	Automatic
----------------------------	-----------

## 23.7 RVM variant sonar specification

### Sonar channels

Your product supports the following sonar channels:

### RV / RVM transducer connection

#### CHIRP sonar channels

3D Vision (RealVision™)	DownVision™
SideVision™	High CHIRP
Sonar (CPT-S transducer)	

### 1 kW transducer connection

#### CHIRP / traditional sonar channels

High CHIRP	Medium CHIRP
Low CHIRP	Low frequency
Conical sonar	Medium frequency
High frequency	

### Sonar range

The sonar range is the effective depth or distance that the transducer can operate to, **in optimum weather conditions**.

The following ranges apply to RealVision™ Max 3D sonar channels:

### Note:

The listed sonar channel ranges are indicative only, and may differ depending on the transducer in use, the installation, and the prevailing water conditions.

Sonar channel	Range
<b>CHIRP sonar:</b>	0.6 m (2 ft) to 366 m (1,200 ft)
<b>DownVision™:</b>	0.6 m (2 ft) to 183 m (600 ft)
<b>SideVision™:</b>	0.6 m (2 ft) to 91 m (300 ft)
<b>RealVision™ Max 3D:</b>	0.6 m (2 ft) to 91 m (300 ft)

### Traditional sonar range

The following ranges apply to Traditional sonar channels:

Sonar channel	Range
<b>Traditional sonar:</b>	0.9 m (3 ft) to 1,524 m (5,000 ft) (in optimum conditions, using a 1 kW transducer)

## 23.8 S variant sonar specification

The sonar range is the effective depth or distance that the transducer can operate to, **in optimum weather conditions**.

CHIRP sonar channel	Range
<b>100 W Sonar (conical beam):</b>	0.6 m (2 ft) to 274 m (900 ft), depending on water conditions

## 23.9 Conformance/approvals

This product is compliant or approved to the following standards or by the listed entities.

- Radio Equipment Directive 2014/53/EU
- EN 60945:2002 (Europe, Australia New Zealand)
- FCC Part 15C and Part 15E
- ISED ICES-003

- NMEA 2000 certified

## 23.10 Product markings

The product includes the following approval / compliance markings and/or IDs.

- UKCA
- CE
- FCC
- ISED
- Japan
- Australian Tick
- Brazil Anatel
- WEEE Directive

# CHAPTER 24: SPARES AND ACCESSORIES

## CHAPTER CONTENTS

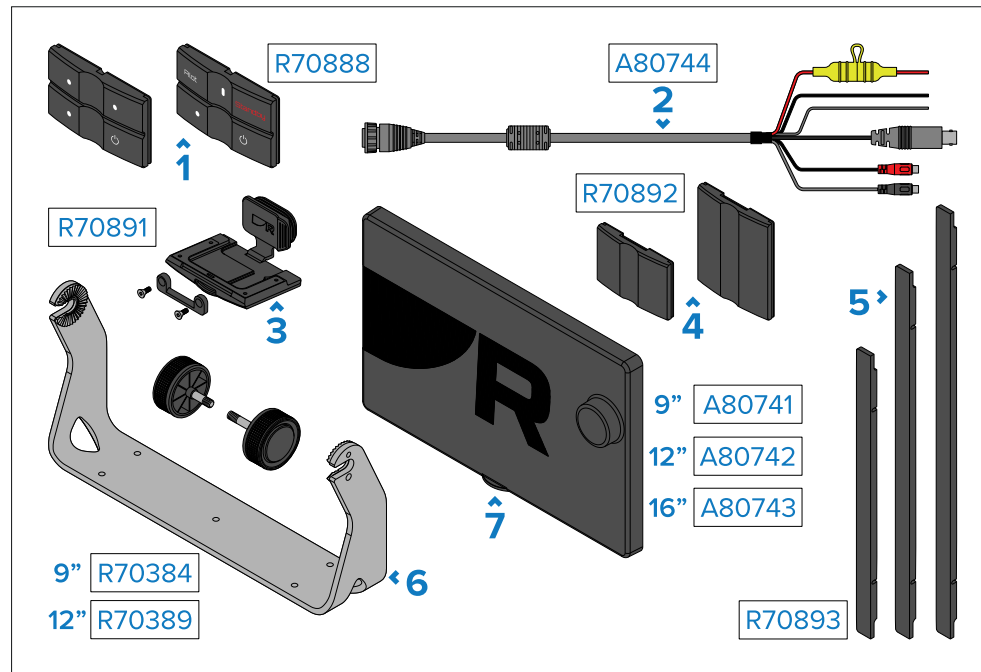
- 24.1 Compatible transducers — page 112
- 24.2 Spares — page 112
- 24.3 Accessories — page 112
- 24.4 RayNet to RayNet cables and connectors — page 114
- 24.5 RayNet to RJ45, and RJ45 (SeaTalkhs) adapter cables — page 115
- 24.6 SeaTalkng<sup>®</sup> cables and accessories — page 117

## 24.1 Compatible transducers

For a list of transducers that are compatible with your sonar module, refer to the following section: [p.21 — Compatible transducers](#)

## 24.2 Spares

The following spares are available for Axiom® 2 Pro displays.

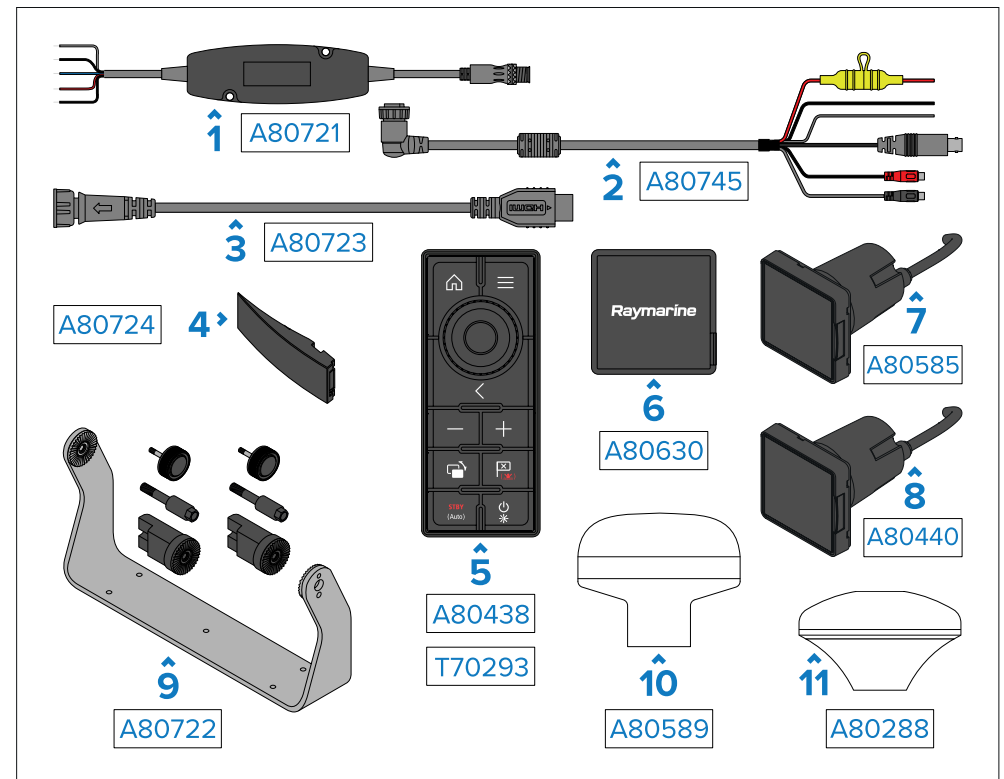


Item	Part #	Description
1	R70888	Axiom® 2 Pro Lower keypad replacement (1 x pilot keypad, 1 x user programmable keypad)
2	A80744	Axiom® 2 Straight power/video/audio cable - 1.5 m (4.92 ft)
3	R70891	Axiom® 2 Pro card reader door replacement
4	R70892	Axiom® 2 Pro 12 and 16 keypad infill replacements (2 x infills supplied)

Item	Part #	Description
5	R70893	Axiom® 2 Pro 9, 12, 16 Left Hand Bung replacements (3 x bungs supplied)
6	R70384	Axiom® 2 Pro 9 trunnion kit
6	R70389	Axiom® 2 Pro 12 trunnion kit
7	A80741	Axiom® 2 Pro 9 suncover
7	A80742	Axiom® 2 Pro 12 suncover
7	A80743	Axiom® 2 Pro 16 suncover

## 24.3 Accessories

The following accessories are available for Axiom® 2 Pro displays.



Item	Part #	Description
1	A80721	Actisense® NGW-1 NMEA 2000 (DeviceNet) to NMEA 0183 converter
2	A80745	A80745 — Axiom® 2 right-angled power/video/audio cable, 1.5 m (4.92 ft)
3	A80723	Micro HDMI (Type D) cable, 5 m (16.4 ft)
4	A80724	Blank Name plaque (Quantity: 40)
5	A80438 / T70293	RMK-10 — display remote control
6	A80630	Bulkhead Mount Micro USB Socket
7	A80585	RCR-1 card reader
8	A80440	RCR-SDUSB card reader
9	A80722	Axiom® 2 Pro 16 trunnion kit
10	A80589	GA200 passive GNSS (GPS) antenna
11	A80288	GA150 passive GNSS (GPS) antenna

## Transducer cables

### RealVision™ Max 3D / RealVision™ 3D transducer extension cable(s)

Part #	Length	Description
A80475	3 m (9.8 ft)	RealVision™ transducer extension cable
A80476	5 m (16.4 ft)	RealVision™ transducer extension cable
A80477	8 m (26.2 ft)	RealVision™ transducer extension cable
A80515	0.3 m (1 ft)	RealVision™ 90-degree adapter cable
A80478	0.3 m (1 ft)	Paired RealVision™ transducer Y-cable

### DownVision™ / SideVision™ / CPT-S CHIRP conical beam transducer extension cable(s)

Part #	Length	Description
A80490	0.2 m (7.8 in)	25-pin to 9-pin DownVision™ transducer adapter cable

## CHIRP / Traditional transducer extension cable(s)

Part #	Length	Description
A80496	0.1 m (3.9 in)	11-pin to 8-pin CP370-style transducer adapter cable
E66010	5 m (16.4 ft)	Traditional transducer extension cable
A102148	3 m (10 ft)	CHIRP transducer extension cable
A102150	5 m (16.4 ft)	CHIRP transducer extension cable
A80327	10 m (32.8 ft)	CHIRP transducer extension cable
A102146	0.3 m (1 ft)	Paired CHIRP transducer Y-cable
A80345	0.5 m (1.6 ft)	Dual Speed and Temperature CHIRP transducer cable

## Operation cable

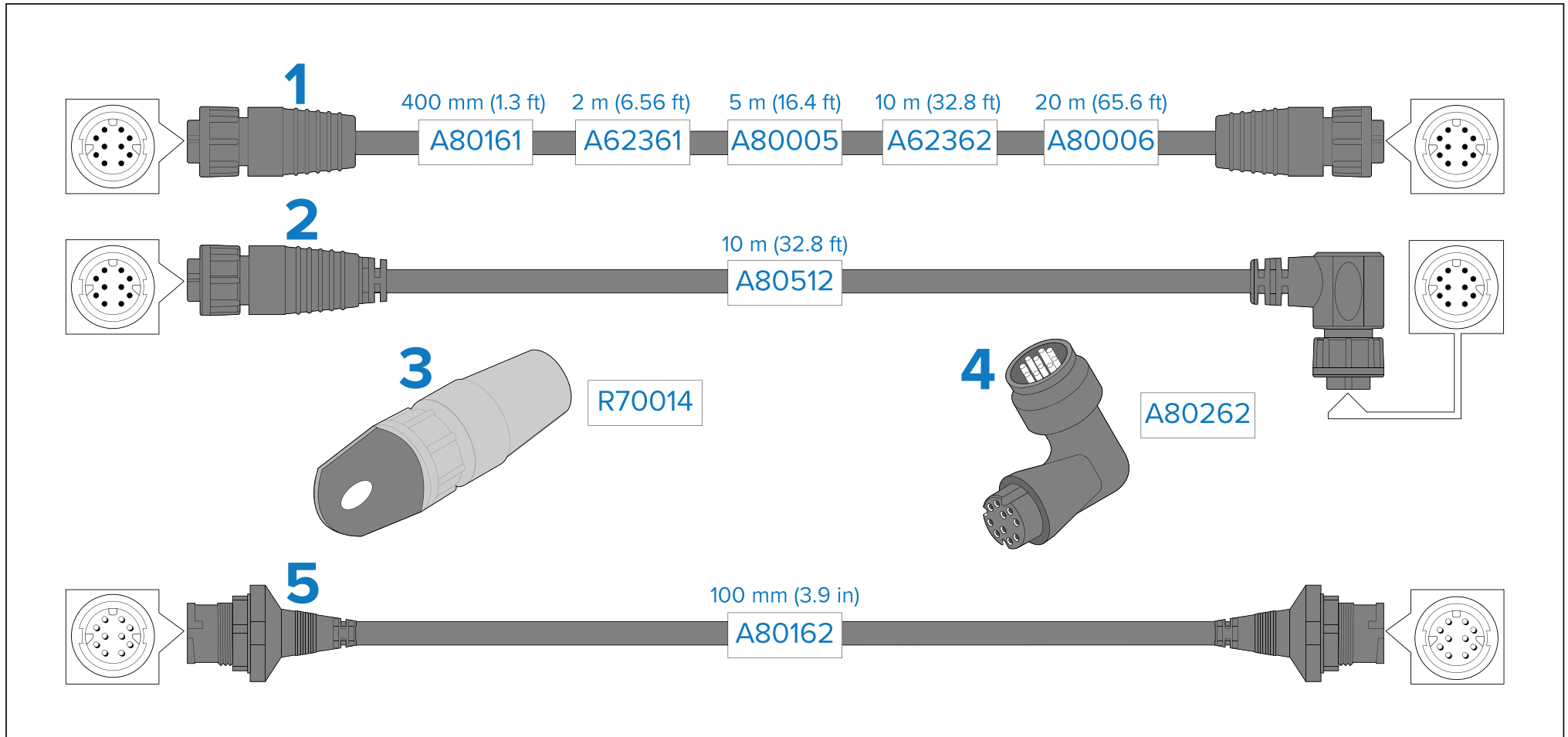
Part #	Length	Description
A80328	0.1 m (3.9 in)	Single B75 / B175 operation cable

## Legacy adapter plates

Adapter plates are available to enable installation of Axiom Pro and Axiom 2 Pro displays in the place of a legacy display.

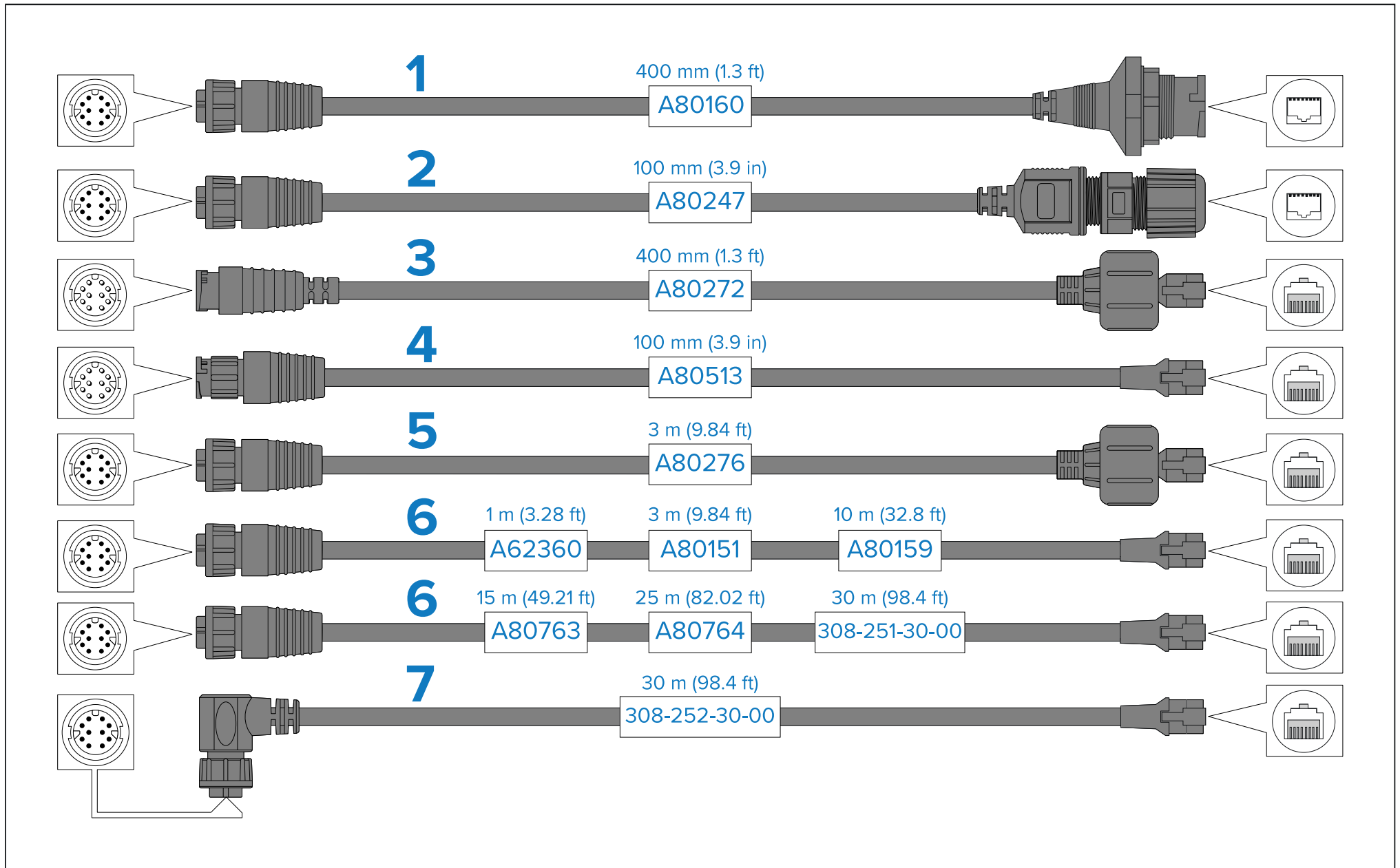
Part #	Adapter description
A80530	C90W / E90W to Axiom Pro 9 / Axiom 2 Pro 9 adapter plate
A80531	C120W / E120W to Axiom Pro 12 / Axiom 2 Pro 12 adapter plate
A80533	e165 / E140W to Axiom Pro 16 / Axiom 2 Pro 16 adapter plate

## 24.4 RayNet to RayNet cables and connectors



1. Standard RayNet connection cable with a RayNet (female) socket on both ends.
2. Right-angle RayNet connection cable with a straight RayNet (female) socket on one end, and a right-angle RayNet (female) socket on the other. Suitable for connecting at 90° (right angle) to a device, for installations where space is limited.
3. RayNet cable puller (5 pack).
4. RayNet to RayNet right-angle coupler / adapter. Suitable for connecting RayNet cables at 90° (right angle) to devices, for installations where space is limited.
5. Adapter cable with a RayNet (male) plug on both ends. Suitable for joining (female) RayNet cables together for longer cable runs.

## 24.5 RayNet to RJ45, and RJ45 (SeaTalkhs) adapter cables



1. Adapter cable with a RayNet (female) socket on one end, and a waterproof (female) RJ45 (SeaTalkhs<sup>®</sup>) socket on the other end, accepting the following cables with an RJ45 (SeaTalkhs<sup>®</sup>) waterproof locking (male) plug:
  - A62245 (1.5 m).
  - A62246 (15 m).
2. Adapter cable with a RayNet (female) socket on one end, and a waterproof (female) RJ45 (SeaTalkhs<sup>®</sup>) socket on the other end, along with a locking gland for a watertight fit.
3. Adapter cable with a RayNet (male) plug on one end, and an RJ45 (SeaTalkhs<sup>®</sup>) waterproof (male) plug on the other end.
4. Adapter cable with a RayNet (male) plug on one end, and an RJ45 (male) plug on the other end.
5. Adapter cable with a RayNet (female) socket on one end, and an RJ45 (SeaTalkhs<sup>®</sup>) waterproof (male) plug on the other end.
6. Adapter cable with a RayNet (female) socket on one end, and an RJ45 (male) plug on the other end.
7. Adapter cable with a right-angled RayNet (female) socket on one end, and an RJ45 (male) plug on the other end.



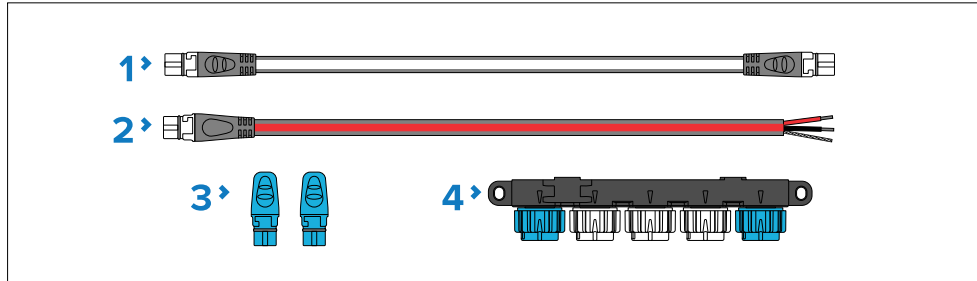
## 24.6 SeaTalkng<sup>®</sup> cables and accessories

SeaTalkng<sup>®</sup> cables and accessories for use with compatible products.

### SeaTalkng<sup>®</sup> kits

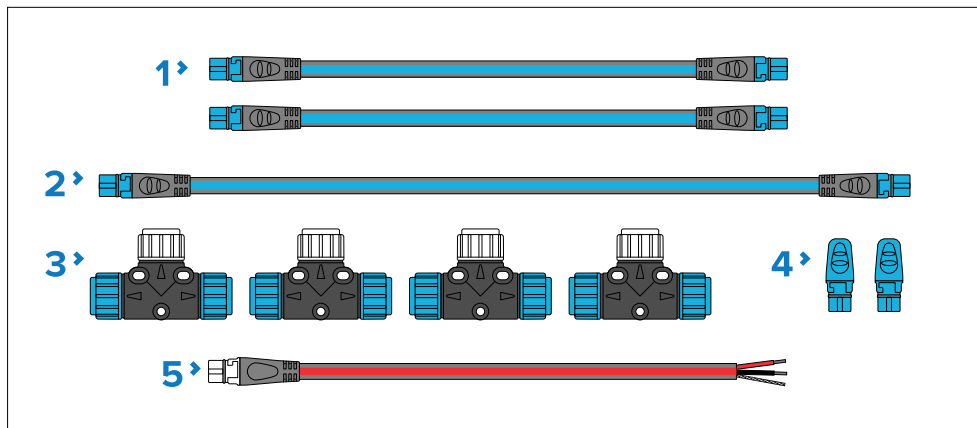
SeaTalkng kits enable you to create a simple SeaTalkng backbone.

**Starter kit (part number: T70134)** consists of:



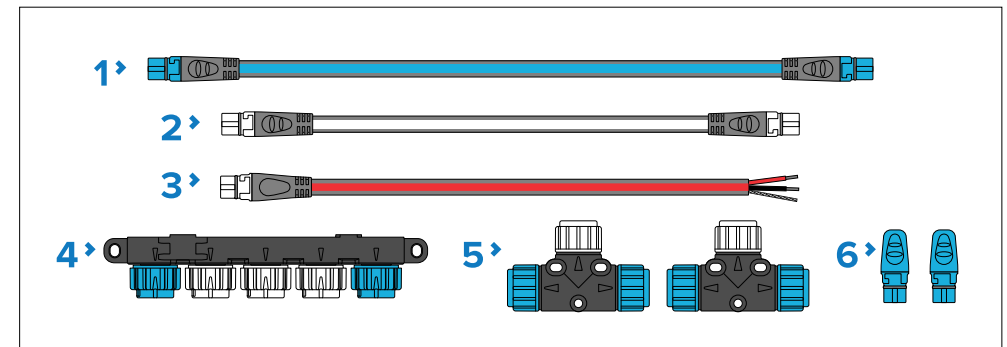
- 1 x Spur cable 3 m (9.8 ft) (part number: **A06040**). Used to connect device to the SeaTalkng backbone.
- 1 x Power cable 2 m (6.6 ft) (part number: **A06049**). Used to provide 12 V dc power to the SeaTalkng backbone.
- 2 x Backbone terminators (part number: **A06031**). Terminators must be fitted to both ends of the SeaTalkng backbone.
- 1 x 5-Way connector (part number: **A06064**). Each connector block allows connection of up to 3 SeaTalkng devices. Multiple connector blocks can be 'daisy chained' together.

**Backbone kit (part number: A25062)** consists of:



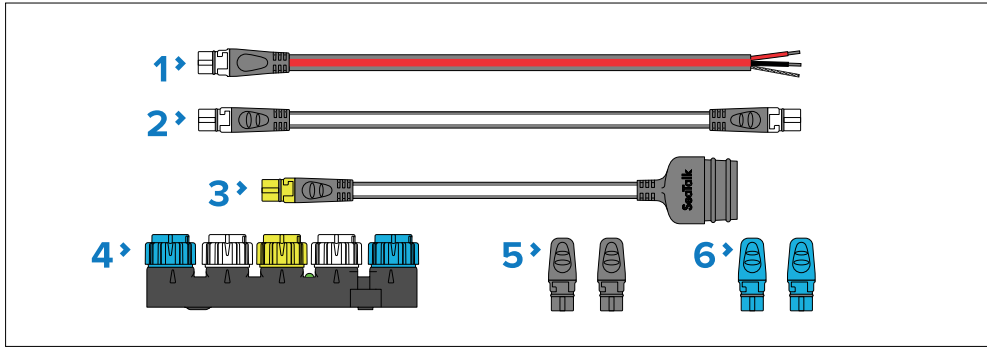
- 2 x Backbone cables 5 m (16.4 ft) (part number: **A06036**). Used to create and extend the SeaTalkng backbone.
- 1 x Backbone cable 20 m (65.6 ft) (part number: **A06037**). Used to create and extend the SeaTalkng backbone.
- 4 x T-piece (part number: **A06028**). Each T-piece allows connection of one SeaTalkng device. Multiple T-pieces can be 'daisy chained' together.
- 2 x Backbone terminators (part number: **A06031**). Terminators must be fitted to both ends of the SeaTalkng backbone.
- 1 x Power cable 2 m (6.6 ft) (part number: **A06049**). Used to provide 12 V dc power to the SeaTalkng backbone.

**Evolution autopilot cable kit (part number: R70160)** consists of:



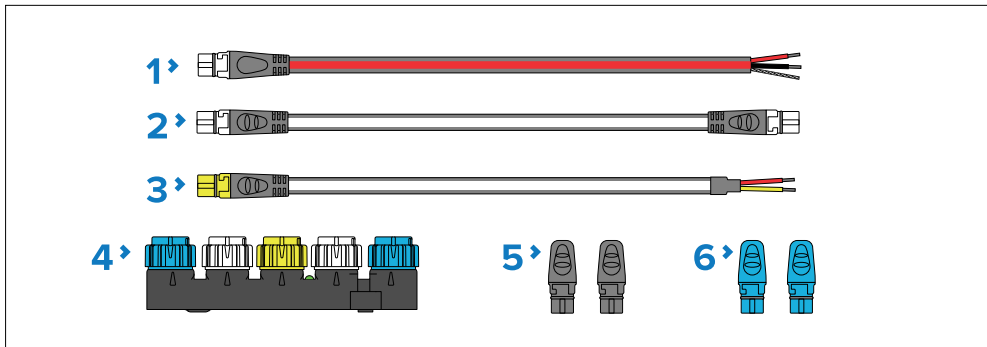
- 1 x Backbone cable 5 m (16.4 ft) (part number: **A06036**). Used to create and extend the SeaTalkng backbone.
- 1 x Spur cable 1 m (3.3 ft) (part number: **A06040**). Used to connect device to the SeaTalkng backbone.
- 1 x Power cable 2 m (6.6 ft) (part number: **A06049**). Used to provide 12 V dc power to the SeaTalkng backbone.
- 1 x 5-Way connector (part number: **A06064**). Each connector block allows connection of up to 3 SeaTalkng devices. Multiple connector blocks can be 'daisy chained' together.
- 2 x T-pieces (part number: **A06028**). Each T-piece allows connection of one SeaTalkng device. Multiple T-pieces can be 'daisy chained' together.
- 2 x Backbone terminators (part number: **A06031**). Terminators must be fitted to both ends of the SeaTalkng backbone.

**SeaTalk to SeaTalkng converter kit (part number: E22158)** consists of:



1. 1 x Power cable 2 m (6.6 ft) (part number: **A06049**). Used to provide 12 V dc power to the SeaTalkng backbone.
2. 1 x Spur cable 1 m (3.3 ft) (part number: **A06039**). Used to connect a device to the SeaTalkng backbone.
3. 1 x SeaTalk (3 pin) to SeaTalkng adapter cable 0.4 m (1.3 ft) (part number: **A22164**). Used to connect SeaTalk devices to the SeaTalkng backbone via the SeaTalk to SeaTalkng converter.
4. 1 x SeaTalk to SeaTalkng converter (part number: **E22158**). Each converter allows connection of one SeaTalk device and up to 2 SeaTalkng devices.
5. 2 x Spur blanking plugs (part number: **A06032**). Used to cover unused spur connections in 5-way blocks, T-piece connectors and SeaTalk to SeaTalkng converter.
6. 2 x Backbone terminators (part number: **A06031**). Terminators must be fitted to both ends of the SeaTalkng backbone.

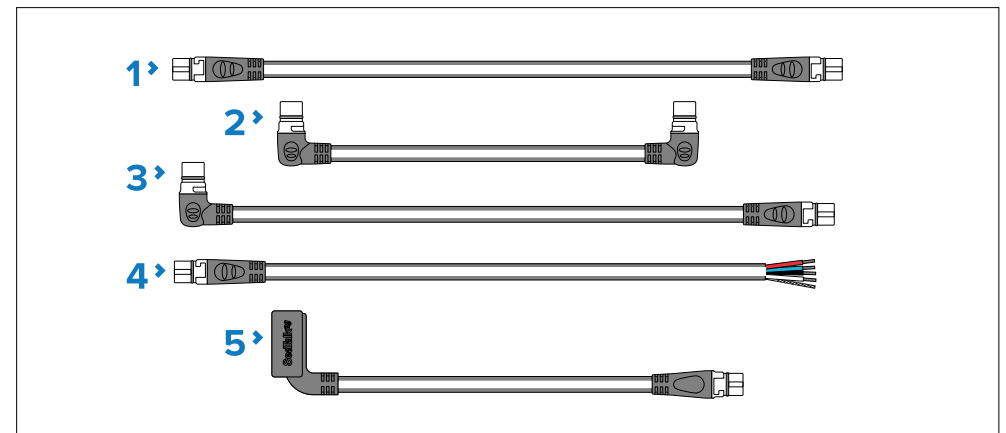
**NMEA 0183 VHF 2 wire to SeaTalkng converter kit (part number: E70196)** consists of:



1. 1 x Power cable 2 m (6.6 ft) (part number: **A06049**). Used to provide 12 V dc power to the SeaTalkng backbone.
2. 1 x Spur cable 1 m (3.3 ft) (part number: **A06039**). Used to connect a device to the SeaTalkng backbone.
3. 1 x NMEA 0183 VHF stripped-end (2 wire) to SeaTalkng adapter cable 1 m (3.3 ft) (part number: **A06071**). Used to connect an NMEA 0183 VHF radio to the SeaTalkng backbone via the NMEA 0183 VHF to SeaTalkng converter.
4. 1 x SeaTalk to SeaTalkng converter (part number: **E22158**). Each converter allows connection of 1 SeaTalk device and up to 2 SeaTalkng devices.
5. 2 x Spur blanking plugs (part number: **A06032**). Used to cover unused spur connections in 5-way blocks, T-piece connectors and SeaTalk to SeaTalkng converter.
6. 2 x Backbone terminators (part number: **A06031**). Terminators must be fitted to both ends of the SeaTalkng backbone.

#### SeaTalkng® spur cables

SeaTalkng spur cables are required to connect devices to the SeaTalkng backbone.

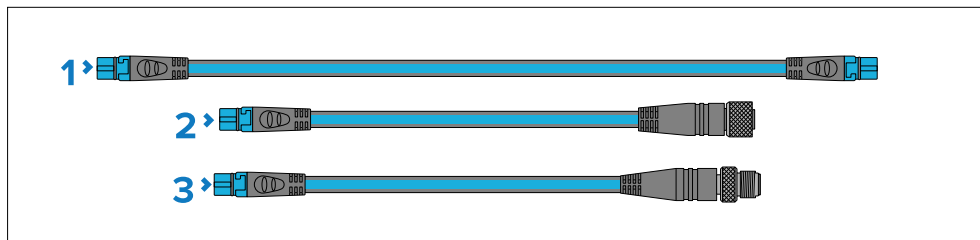


1. SeaTalkng spur cables:
  - Spur cable 0.4 m (1.3 ft) (part number: **A06038**).
  - Spur cable 1 m (3.3 ft)(part number: **A06039**).
  - Spur cable 3 m (9.8 ft) (part number: **A06040**).

- Spur cable 5 m (16.4 ft) (part number: **A06041**).
2. Elbow (right angled) to elbow (right angled) spur cable 0.4 m (1.3 ft) (part number: **A06042**). Used in confined spaces where a straight spur cable will not fit.
  3. Elbow (right angled) to straight spur cable 1 m (3.3 ft) (part number: **A06081**). Used in confined spaces where a straight spur cable will not fit.
  4. SeaTalkng to stripped-end spur cables (Connects compatible product that do not have a SeaTalkng connector such as transducer pods):
    - SeaTalkng to stripped-end spur cable 1 m (3.3 ft) (part number: **A06043**)
    - SeaTalkng to stripped-end spur cable 3 m (9.8 ft) (part number: **A06044**)
  5. ACU / SPX autopilot to SeaTalkng spur cable 0.3 m (1.0 ft) (part number **R12112**). Connects the course computer to the SeaTalkng backbone. This connection can also be used to provide 12 V dc power to the SeaTalkng backbone.

### SeaTalkng® backbone cables

SeaTalkng backbone cables are used to create or extend a SeaTalkng backbone.

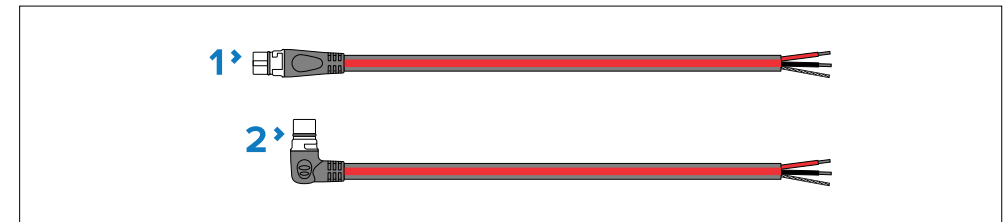


1. Backbone cables:
  - Backbone cable 0.4 m (1.3 ft) (part number: **A06033**).
  - Backbone cable 1 m (3.3 ft) (part number: **A06034**).
  - Backbone cable 3 m (9.8 ft) (part number: **A06035**).
  - Backbone cable 5 m (16.4 ft) (part number: **A06036**).
  - Backbone cable 9 m (29.5 ft) (part number: **A06068**).
  - Backbone cable 20 m (65.6 ft) (part number: **A06037**).
2. SeaTalkng® to DeviceNet (female) Backbone cable 0.4 m (1.3 ft) (part number: **A80675**)

3. SeaTalkng® to DeviceNet (male) Backbone cable 0.4 m (1.3 ft) (part number: **A80674**)

### SeaTalkng® power cables

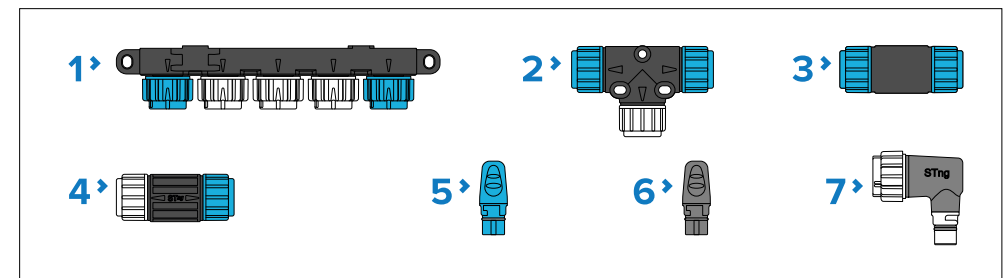
SeaTalkng power cables are used to provide the SeaTalkng backbone with a single 12 V dc power source. The power connection must include a 5 amp inline fuse (not supplied).



1. Power cable (straight) 2 m (6.6 ft) (part number: **A06049**).
2. Elbow (right angled) power cable 2 m (6.6 ft) (part number: **A06070**).

### SeaTalkng® connectors

SeaTalkng connectors are used to connect SeaTalkng devices to the SeaTalkng backbone and to create and extend the backbone.

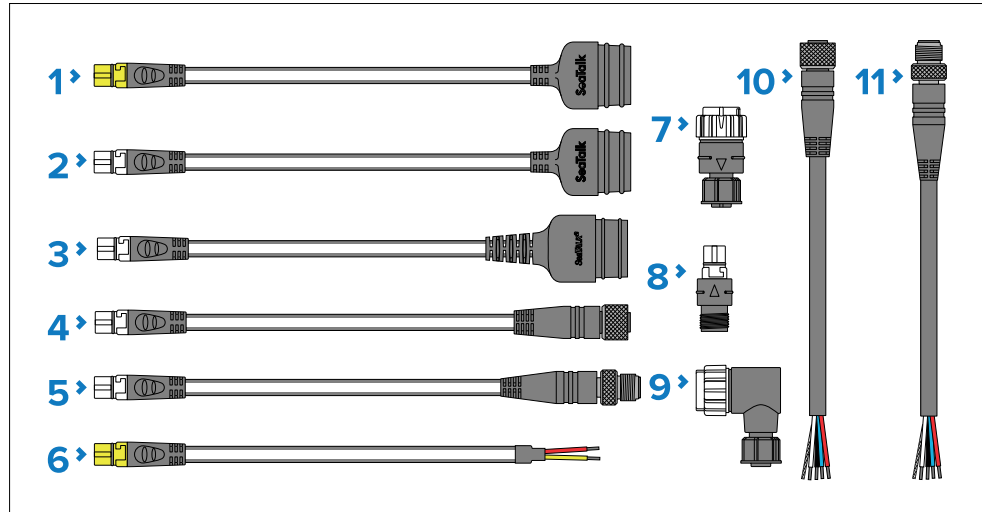


1. 5-Way connector (part number: **A06064**). Each connector block allows connection of up to 3 SeaTalkng devices. Multiple connector blocks can be 'daisy chained' together.
2. T-piece (part number: **A06028**). Each T-piece allows connection of one SeaTalkng device. Multiple T-pieces can be 'daisy chained' together.
3. Backbone extender (part number: **A06030**). Used to connect 2 backbone cables together.
4. Inline terminator (part number: **A80001**). Used to connect a spur cable and SeaTalkng device at the end of a backbone instead of a backbone terminator.

5. Backbone terminator (part number: **A06031**). Terminators must be fitted to both ends of the SeaTalkng backbone.
6. Spur blanking plug (part number: **A06032**). Used to cover unused spur connections in 5-way blocks, T-piece connectors, or the SeaTalk to SeaTalkng converter.
7. Elbow (right angled) spur connector (part number: **A06077**). Used in confined spaces where a straight spur cable will not fit.

### SeaTalkng® adaptors and adaptor cables

SeaTalkng adaptor cables are used to connect devices designed for different CAN bus backbones (e.g.: SeaTalk or DeviceNet) to the SeaTalkng backbone.



1. SeaTalk (3 pin) to SeaTalkng converter cable 1 m (3.3 ft) (part number: **A22164 / A06073**). Can be used to connect a SeaTalk device to a SeaTalkng backbone via the SeaTalk to SeaTalkng converter, or to connect a SeaTalkng product directly to a SeaTalk network.
2. SeaTalk (3 pin) to SeaTalkng adaptor cable 0.4 m (1.3 ft) (part number: **A06047**). Can be used to connect a SeaTalk device to a SeaTalkng backbone via the SeaTalk to SeaTalkng converter, or to connect a SeaTalkng product directly to a SeaTalk network.
3. SeaTalk2 (5 pin) to SeaTalkng adaptor cable 0.4 m (1.3 ft) (part number: **A06048**). Used to connect SeaTalk2 devices or networks to a SeaTalkng backbone.
4. SeaTalkng to DeviceNet (female) adaptor cables connect NMEA 2000 devices that use a DeviceNet connector to the SeaTalkng backbone, or

connects SeaTalkng devices to an NMEA 2000 network. The following cables are available:

- SeaTalkng to DeviceNet (female) adaptor cable 0.4 m (1.3 ft) (part number: **A06045**).
  - SeaTalkng to DeviceNet (female) adaptor cable 1 m (3.3 ft) (part number: **A06075**).
5. SeaTalkng to DeviceNet (male) adaptor cables. Connect NMEA 2000 devices that use a DeviceNet connector to the SeaTalkng backbone, or connect SeaTalkng devices to an NMEA 2000 network. The following cables are available:
    - SeaTalkng to DeviceNet (male) adaptor cable 0.1 m (0.33 ft) (part number: **A06078**).
    - SeaTalkng to DeviceNet (male) adaptor cable 0.4 m (1.3 ft) (part number: **A06074**).
    - SeaTalkng to DeviceNet (male) adaptor cable 1 m (3.3 ft) (part number: **A06076**).
    - SeaTalkng to DeviceNet (male) adaptor cable 1.5 m (4.92 ft) (part number: **A06046**).
  6. NMEA 0183 VHF stripped-end (2 wire) to SeaTalkng adapter cable 1 m (3.3 ft) (part number: **A06071**). Used to connect an NMEA 0183 VHF radio to the SeaTalkng backbone via the NMEA 0183 VHF to SeaTalkng converter.
  7. SeaTalkng (male) to DeviceNet (female) adaptor (**A06082**).
  8. SeaTalkng (female) to DeviceNet (male) adaptor (**A06083**).
  9. SeaTalkng (male) to DeviceNet (female) elbow (right angled) adaptor (**A06084**).
  10. DeviceNet (female) to stripped-end adaptor cable (0.4 m (1.3 ft) (part number: **E05026**).
  11. DeviceNet (male) to stripped-end adaptor cable (0.4 m (1.3 ft) (part number: **E05027**).

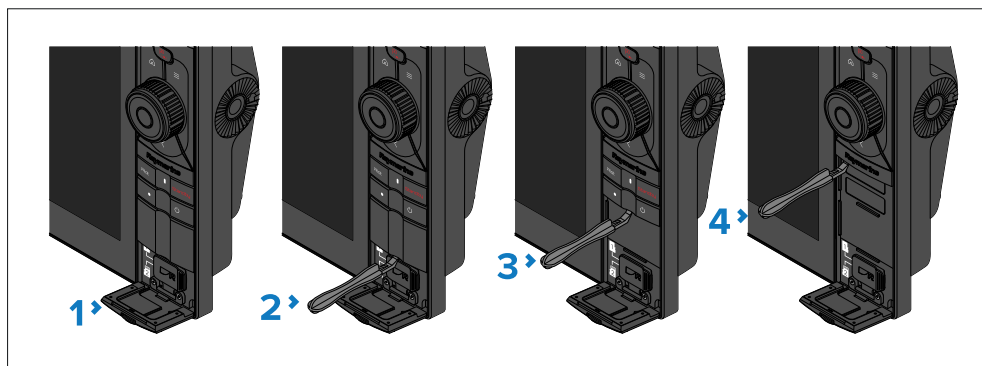
## Appendix A Replacing the name plaque

The Raymarine name plaque located below the Back button on Axiom® 2 Pro displays can be replaced with an OEM-branded name plaque. OEMs can order bulk packs (qty: 40) of blank name plaques (part number: A80724), which can then have the OEM branding printed on them.

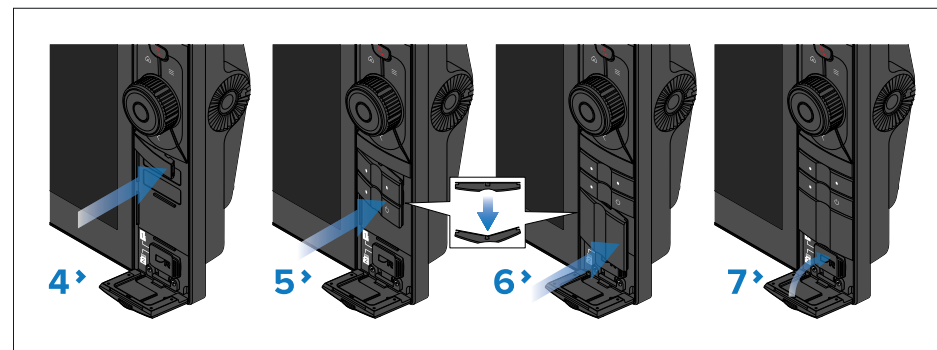
Follow the steps below to replace the name plaque.

### Important:

Do NOT use metallic or sharp objects to remove the keypad or infill piece, as this could damage the keypad and/or display.



1. Open the card reader door.
2. Axiom 2 Pro 12 and Axiom 2 Pro 16 only — Using a plastic pry tool, lever the infill piece located below the lower keypad against the small plastic protrusion. This will release the infill piece from the display.
3. Using a plastic pry tool, lever the bottom of the keypad against the small plastic protrusion to release the keypad from the display.
4. Using a plastic pry tool, lever the bottom of the name plaque approximately one third of the way along the bottom of the name plaque to release it from the display.



5. Insert one edge of the new name plaque and then apply pressure to the opposite side until it clicks into position.
6. Insert one edge of the keypad and then bend the keypad slightly in the middle to allow the other edge to be inserted into the opposite side.
7. Axiom 2 Pro 12 and Axiom 2 Pro 16 only — Insert one edge of the infill piece and then bend the infill piece slightly in the middle to allow the other edge to be inserted into the opposite side.
8. Close the card reader door.

### Replacement name plaque printing specification

#### Specification

<b>Base material:</b>	Black PC / ABS
<b>Paint:</b>	Matt black
<b>Logo printing method:</b>	Pad printing
<b>Logo ink requirement:</b>	UV resistant ink

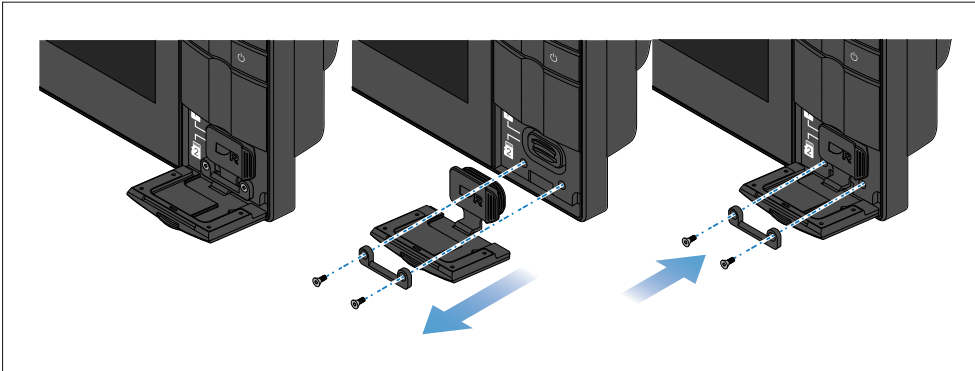
**Note:**

- It is the OEM's responsibility to ensure that an appropriate UV resistant ink is used for pad printing on the name plaque.
- The 'Raymarine' branding on the standard name plaque is painted using gloss black *Marabu Tampa Star TPR 980* ink, and pad printed onto the name plaque. Using this ink type and print method should be sufficient. **However, it's important that you perform your own testing to ensure suitability.** Refer to the Marabu website for ink details: <https://www.marabu-inks.com/>
- This information is provided for information only. Raymarine will not be held liable for the use of inappropriate ink or printing methods.

## Appendix B Replacing the card reader door

The card reader door and card slot cover are a single piece. If the card reader door or card slot cover becomes damaged it can be replaced using the Card reader door spare (part number: R70891).

To change the Card reader door follow the steps below.



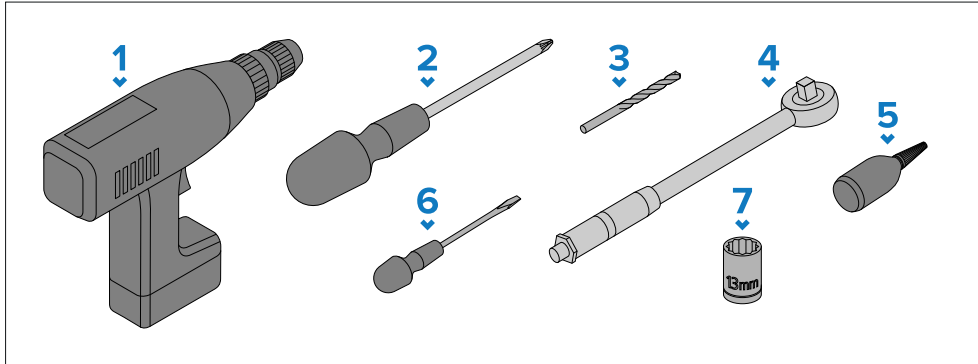
1. Open the Card reader door.
2. Unscrew the hex screws using a 1.3 mm a/f hex wrench (Allen key).
3. Remove the plastic bar.
4. Remove the Card reader door.
5. On the new Card reader door, insert the card slot cover ensuring it is correctly seated.
6. Hold the card reader door in the open position and reattach the plastic bar and secure using the hex screws, tightening the screws evenly.
7. Ensure you do not over tighten the screws.
8. Close the Card reader door ensuring that it sits flush with the bezel around the bottom of the door.



## Appendix C Original trunnion kit mounting — Axiom® 2 Pro 16

### Tools required (trunnion mount installations)

The following tools are recommended for mounting using a trunnion bracket:



1. Power drill.
2. Screwdriver (appropriate for your fixings).
3. Drill bit (suitable for the mounting surface material and the 5.75 mm (0.23 in) diameter holes in the trunnion bracket).
4. Torque wrench.
5. Loctite® 243, or equivalent threadlocker.
6. Small flat blade screwdriver (or plastic pry tool).
7. 13 mm (1/2") socket.

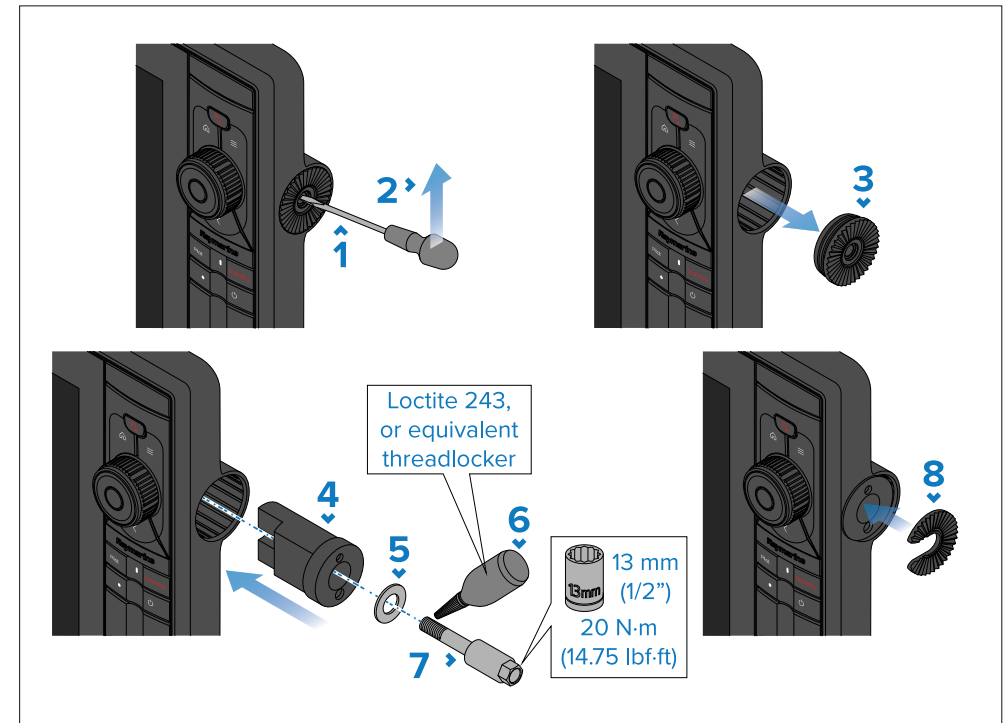
### Display trunnion mounting preparation

Axiom® 2 Pro 16 displays are intended to be either surface or flush mounted. An optional Trunnion bracket kit (part number: A80722) is available if trunnion mounting is desired. For trunnion mounting, the display needs to be prepared using the parts supplied in the A80722 kit.

#### Important:

The display is supplied with rubber trunnion bungs fitted, which must be removed before the display is trunnion mounted. Do NOT attempt to trunnion mount the display using the trunnion bungs.

To prepare the display for trunnion mounting, follow the steps below, **for both sides of the display**:



1. Insert a small flat blade screwdriver or plastic pry tool into the center hole of the Trunnion bung.
2. Lever the tool up or down to release the Trunnion bung.
3. Remove the Trunnion bung.
4. Insert the Spacer piece into the display with the flat edge facing forward.

#### Important:

Do NOT fit the ratchet plate to the spacer before tightening the standoff bolt.

5. Slide the M8 washer over the M8 standoff bolt.
6. Apply Loctite® 243 (or equivalent threadlocker) to the thread of the M8 standoff bolt.
7. Insert the M8 standoff bolt and tighten to 20 N-m (14.75 lbf-ft).



**Important:**

Overtightening may cause damage.

8. Remove the backing from the self adhesive tape on the rear of the Ratchet plate, and fix to the Spacer secured in the display.

*The groove on the ratchet plate should face forwards and the protrusions on the back of the ratchet plate should slot into the recesses in the end of the spacer.*

The display can now be trunnion mounted.

**Trunnion bracket mounting**

Once the display has been prepared using the instructions and parts supplied, it can be mounted using the trunnion bracket as follows:

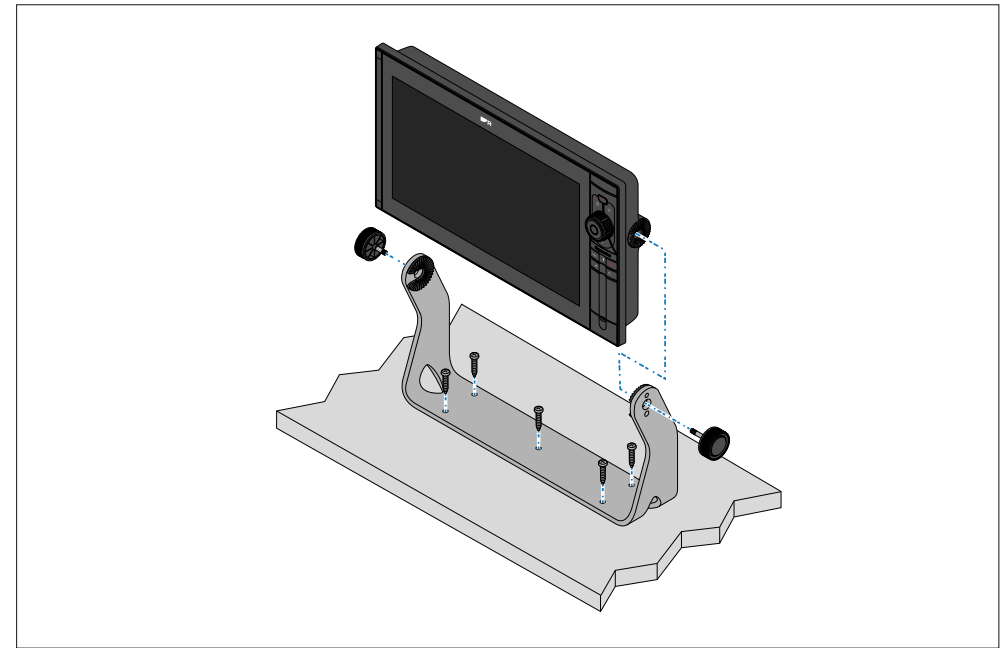
**Note:**

Fixings to secure the trunnion bracket to a mounting surface are not provided. 5 x self-tapping screws are required. The screws should be suitable for the mounting surface material and the 5.75 mm (0.23 in) diameter mounting holes in the trunnion bracket.

Ensure you have chosen a suitable mounting location for your display, which has sufficient headroom to allow the display's angle to be adjusted, or the display to be removed if necessary. If installing the display 'above head height', take extra care to ensure the knobs are tightened sufficiently to prevent them coming loose due to vibration when underway.

**Important:**

2 person installation is required.



1. Check the underside of the mounting surface to ensure no damage will be caused by drilling.
2. Check the thickness of the mounting surface to ensure it is sufficient to support the display.
3. Using the Trunnion bracket as a template, mark and drill the 5 x pilot holes on the mounting surface.
4. Secure the Trunnion bracket to the mounting surface using your self-tapping screws and an appropriate screwdriver.
5. One person should align the trunnion holes in the side of the display with the holes in the trunnion bracket.
6. The second person should secure the display to the trunnion bracket by inserting and tightening the trunnion knobs, ensuring that the ratchet teeth are correctly engaged.

*The knobs should be tightened by hand, sufficiently to prevent the display from moving whilst your vessel is underway.*

7. Route and connect necessary cables.

## Appendix D NMEA 2000 PGNs

For a list of supported NMEA 2000 PGNs, please refer to the relevant Operations manual for your display.

LightHouse version	Operations manual
LightHouse 3	81370
LightHouse 4	81406

To obtain the latest version of the manual, visit: [www.raymarine.com/manuals](http://www.raymarine.com/manuals)

## Appendix E Legacy eS and gS Series compatibility with Axiom displays

As Raymarine® continues to develop new features and capabilities for the LightHouse™ 4 operating system, the ability to downgrade some Axiom® models to LightHouse™ software version v3.11.42 (for the purposes of allowing mixed networks of Axiom and legacy eS/gS Series displays) has ended.

### Note:

Axiom® Pro **displays manufactured after August 2022** can no longer be downgraded to a version of LightHouse which is compatible with mixed systems which include legacy eS and gS Series displays.

The following table lists Axiom® displays and their compatibility status with legacy eS/gS Series displays:

Display	Compatibility in mixed systems featuring eS/gS Series displays
Axiom®	<b>Yes</b> — Software must be downgraded to LightHouse v3.11.42
Axiom® +	<b>No</b> — NOT compatible with eS/gS systems. The LightHouse OS cannot be downgraded
Axiom® XL	<b>Yes</b> — Software must be downgraded to LightHouse v3.11.42
Axiom® 2 XL	<b>No</b> — NOT compatible with eS/gS systems. The LightHouse 4 OS cannot be downgraded
Axiom® 2 Pro	<b>No</b> — NOT compatible with eS/gS systems. The LightHouse 4 OS cannot be downgraded

Display	Compatibility in mixed systems featuring eS/gS Series displays
Axiom® Pro (pre-September 2022)	<b>Yes</b> — Software must be downgraded to LightHouse v3.11.42
Axiom® Pro (post-September 2022)	<p><b>No</b> — Axiom® Pro <b>displays manufactured after August 2022</b>, and beginning with the following serial numbers, <b>are NOT compatible</b> with mixed systems featuring eS/gS Series displays:</p> <ul style="list-style-type: none"> <li>• Axiom® Pro 9 RVX — E70371-1027106</li> <li>• Axiom® Pro 12 RVX — E70372-0923640</li> <li>• Axiom® Pro 16 RVX — E70373-1127908</li> <li>• Axiom® Pro 9 S — E70481-1026853</li> <li>• Axiom® Pro 12 S — E70482-0924052</li> <li>• Axiom® Pro 16 S — E70483-1026473</li> </ul>

If you wish to continue using a mixed system of newer Axiom displays and legacy eS/gS displays, you must ensure that these displays are NOT connected on the same RayNet or SeaTalkng networks.

## Appendix F Ethernet (IPv4) networking of Raymarine devices with third-party products

Raymarine uses a custom Ethernet (IPv4) networking configuration. Use the following information to help you understand how Raymarine's Ethernet (IPv4) implementation interacts with third-party Ethernet (IPv4) devices on your vessel, such as routers, switches, Access Points (APs) etc.

### Important:

- Third-party networking products such as routers, switches, and Access Points (APs) *may* work when connected to Raymarine networks, when configured correctly. However, correct operation is not guaranteed. It's important to refer to the instructions provided by the relevant third-party device manufacturer, to ensure that your intended use of a third-party device is consistent with the device's design intent.
- Raymarine does not warrant that Raymarine products are compatible with products manufactured by any person or entity other than Raymarine.
- When using third-party products in your Raymarine electronics network, you should be aware of, and understand, the concepts and limitations described in the following Disclaimer: [p.12 — Disclaimer](#)

### Overview

- Ethernet (IPv4) networking is a method for interconnecting multiple electronic devices, allowing many devices to function in a network and share data using only a single RJ45 or RayNet connection for each device.
- In order to function correctly, every Ethernet (IPv4) device (whether Raymarine or third-party) must have a unique IP address allocated to it, and it must not conflict with that of any other device.
- IPv4 addresses can be centrally-allocated to devices either **automatically**, using a method known as *DHCP* (Dynamic Host Configuration Protocol), or **manually** (i.e. allocated a static IP address). The most common method for allocating IPv4 addresses on vessel electronics networks is *DHCP*. In this configuration, the *server* device is known as a *DHCP server*.

Client / Server device	Example(s)
Raymarine IPv4 DHCP <b>client</b>	<ul style="list-style-type: none"><li>• Radar scanner (e.g. <i>Quantum</i>)</li><li>• Sonar module (e.g. <i>CP470</i>)</li><li>• IP camera (e.g. <i>CAM300</i>)</li></ul>
Raymarine IPv4 DHCP <b>server</b> and self-addressing device	<ul style="list-style-type: none"><li>• Multifunction display (MFD / Chartplotter), running LightHouse 3 or LightHouse 4 (e.g. <i>Axiom</i>)</li><li>• Marine Router (e.g. <i>YachtSense Link Router</i>)</li></ul>
Third-party IPv4 DHCP <b>client</b>	IP camera
Third-party IPv4 DHCP <b>server</b>	<ul style="list-style-type: none"><li>• Router</li><li>• Switch</li><li>• Access Point (AP)</li></ul>

### Note:

The DHCP server maintains a pool of IP addresses and “leases” an address to any DHCP-enabled client, when the client device first powers up and announces its presence on the network. Because the IP addresses are dynamic (leased) rather than static (permanently assigned), addresses no longer in use are automatically returned to the DHCP server's pool, for subsequent reallocation.

It's also possible to have multiple DHCP servers issuing addresses on an IPv4 network, but to avoid addressing conflicts, all DHCP servers must be carefully configured to only allocate IP addresses in distinct address ranges. The *subnet mask* must also be carefully configured, to ensure that devices can correctly communicate with one another.

### Implementation

- Raymarine Ethernet (IPv4) devices expect to use a private **Raymarine IPv4 network**, which is designed to be internal to the vessel only. Raymarine has carefully chosen a specific IP address range (**198.18.0.0/21**) to ensure that it does not interfere with any external IP address ranges, or other legacy and real-world addressing constraints (including but not limited to marina Wi-Fi networks).

**Note:** Raymarine's IP address range is for **local traffic** within the **vessel's private Raymarine network only**, and does NOT traverse across Raymarine products to external networks, or to the Internet.

- In a Raymarine Ethernet (IPv4) network, IP addresses are self-allocated by certain Raymarine equipment in the following range: **198.18.0.32 to 198.18.3.255** (inclusive). **You must avoid placing any devices in this range using manual (static) IP addresses.**
- Whether your network includes only Raymarine Ethernet (IP) devices, or a mixture of Raymarine and third-party Ethernet (IPv4) devices, you have 3 options for configuring the Ethernet (IPv4) network and managing the IP addresses for your devices:
  1. Use a Raymarine device as the sole DHCP server to allocate IP addresses automatically to all Raymarine and third-party Ethernet (IPv4) devices on the network. **For the purposes of simplicity and reliability, this is the recommended option for most vessels.** The following Raymarine devices can act as DHCP servers:
    - a. **Raymarine multifunction display (MFD)** / Chartplotter, running LightHouse 3 or LightHouse 4; or:
    - b. **Raymarine YachtSense Link Router**

**Note:** If both a Raymarine MFD **and** YachtSense Link Router are present in the same network, the YachtSense Link Router **MUST** be configured as the DHCP server for that network. To facilitate this, the Raymarine MFD's DHCP setting defaults to *Automatic* as standard. On power up, if the YachtSense Link is detected in the RayNet system, any MFDs in the network will disable their own *DHCP Server*, to permit the YachtSense Link to manage the network's IP addresses. Only Raymarine MFDs running **LightHouse 4** are compatible with the YachtSense Link Router. Additionally, the most recent versions of the LightHouse 4 and YachtSense Link software must be used.

2. Use a third-party Ethernet (IPv4) device (such as a router or Access Point) to allocate IP addresses automatically, as a sole *DHCP server*. To do this, refer to the *Configuring a third-party router as DHCP server* section, below.

**Note:** Any Raymarine LightHouse 3 or LightHouse 4 MFDs will still self-allocate their own IP address, even if a third-party DHCP server is being used to allocate IP addresses to other Raymarine or non-Raymarine *DHCP client* devices (Camera, Radar, Sonar etc.) on the network.

3. Manually configure static IP addresses for your devices. The address range **198.18.0.32 to 198.18.3.255** (inclusive) is used by Raymarine equipment, and any other third-party equipment on the network should not be set to a static IP address in this range. It should instead be set elsewhere in the 198.18.0.0/21 range.

### Adding third-party devices to your Raymarine Ethernet (IP) network

- It is recommended that any third-party products connecting to a Raymarine Ethernet (IPv4) network (e.g., a third-party IP camera) are configured as DHCP clients, so that they automatically get allocated a correct IP address within the range used by the **Raymarine IPv4 network**. If this is not possible, (for example, in the scenario that your third-party IP Camera requires a static IP address), you should configure the product to have a static IP address within the following range: **198.18.0.1 to 198.18.0.31** (inclusive).
- Any third-party router in your network should be performing IPv4 *Network Address Translation* (NAT) from the private address to another one on an upstream interface.

### Configuring a third-party router as DHCP server

In the scenario that you wish to use a third-party DHCP server to allocate the IP addresses for your vessel's IPv4 network, use the following information to help you configure the third-party DHCP server to work with Raymarine Ethernet (IPv4) client devices:

1. Configure the third-party DHCP server / router to use Raymarine's subnet details, which are as follows:
  - a. Set the DHCP server's IP address to **198.18.0.1**
  - b. Set the *netmask* to /21, i.e. **255.255.248.0**
  - c. Set the DHCP range from **198.18.4.0 to 198.18.7.254** (inclusive). If this is not possible, ensure that the address range is smaller than this (but within the range of **198.18.4.0 to 198.18.7.254** (inclusive)).

- d. The address range **198.18.0.32 to 198.18.3.255** (inclusive) is used by Raymarine equipment, and therefore you must ensure that any other third-party equipment on the network is NOT set to a static IP address in this range.
2. It may be necessary to set the DHCP setting for **all** of the MFDs on the vessel to *[Off]*. However, the default option (*[Auto]*) will likely work fine in many cases. If for any reason the third-party DHCP server starts up after the MFD starts up, the user should manually set the MFD's DHCP switch to *[Off]*. This is because, when the MFD starts up, its DHCP *[Auto]* feature tries to detect if another DHCP server is already present on the network.
3. In case of failure of the third-party device, the MFDs can be easily configured to be the DHCP server again, by setting the MFD's DHCP setting back to *[Auto]*.

### **Adding third-party Wi-Fi Access Points / Wi-Fi routers to your Raymarine Ethernet (IPv4) network**

- There is a large volume of multicast IPv4 traffic on the Raymarine Ethernet (IPv4) network. Many consumer Wi-Fi Access Points / Wi-Fi routers simply bridge all multicast traffic from the Ethernet interface to the Wi-Fi interface when there are connected Wi-Fi clients. This will result not only in poor Wi-Fi performance but also in a reduction of usable Wi-Fi spectrum to other Wi-Fi users and vessels in the vicinity. If using a third-party Wi-Fi Access Point or Wi-Fi router, Raymarine recommends that *IGMP Snooping* is enabled on the third-party device, and additional checks are performed, in order to ensure that your device is not bridging any unexpected multicast traffic to its Wi-Fi interface from the Raymarine Ethernet (IPv4) network.
- Raymarine's YachtSense Link Router is pre-configured with IGMP Snooping enabled, and therefore does not bridge internal multicast traffic on the wired network to the Wi-Fi network. No additional configuration is required in this respect.

## Appendix G Document change history

Document details	Changes
87443 Rev 05 Date: 10–2023	<ul style="list-style-type: none"><li>• Updated product warnings and included updated disclaimer.</li><li>• Corrected CHIRP in-hull / pocket and traditional transducer illustrations in compatible transducers section.</li><li>• Added new details of modified Axiom 2 Pro 16 trunnion kit and added new assembly and installation details.</li><li>• Moved existing Axiom 2 Pro 16 trunnion kit assembly and installation details to appendix.</li><li>• Updated product dimensions and included table of example of minimum depths for surface mounting.</li><li>• Corrected keyway on power connector illustrations.</li><li>• Added Legacy MFD compatibility to appendix.</li><li>• Added Network constraints details to Networking connections chapter.</li><li>• Added Internet connection details to Network connections chapter.</li></ul>
87443 Rev 04 Date: 03–2023	<ul style="list-style-type: none"><li>• Minor layout changes.</li></ul>
87443 Rev 03 Date: 02–2023	<ul style="list-style-type: none"><li>• Fuse rating in technical powers specifications updated.</li><li>• Removed NMEA 0183 appendix.</li><li>• Added document change history to appendix.</li></ul>
87443 Rev 02 Date: 02–2023	<ul style="list-style-type: none"><li>• S variant display sonar specification updated.</li></ul>
87443 Rev 01 Date: 01–2023	<ul style="list-style-type: none"><li>• Initial release</li></ul>





# Index

## A

Accessories .....	112–113
Network adapter cables .....	115
Network cables .....	114
RayNet cables .....	114
SeaTalkng adaptor cables .....	120
SeaTalkng backbone cables .....	119
SeaTalkng cables .....	117
SeaTalkng connectors .....	119
SeaTalkng kits .....	117
SeaTalkng Power cables .....	119
SeaTalkng spur cables .....	118
Accessory connection .....	78
Applicable documents .....	15
Audio	
Connections (RCA) .....	76
Autopilot keypad .....	41

## B

Box contents .....	30–31
--------------------	-------

## C

Cable	
Bend radius .....	52
Protection .....	52
Routing .....	52
Security .....	52
Strain relief .....	52
Cable extension .....	68
Cabling	
Circuit isolation .....	52
Circuit isolation .....	52
Cleaning .....	82
Screen .....	82
Compass safe distance .....	39
Compatible transducers .....	27
Connecting cables .....	54

Connections	
Accessory .....	53, 78
Analog camera .....	73
Analog video .....	73
Audio .....	76
Bare-ended wires .....	54
Battery .....	58
Card reader .....	78
CHIRP transducers .....	68
CPT-S transducers .....	68, 71
DeviceNet .....	62
Distribution panel .....	57
DownVision™ transducers .....	68
Ethernet .....	63
External storage .....	78
General cabling guidance .....	52
GPS antenna .....	80
GPS Antenna .....	53
Ground .....	53
HDMI Out .....	53, 73
Internet .....	64–65
Network .....	53, 63
NMEA 2000 .....	53, 62
Optional grounding .....	59
Overview .....	53
Power .....	53, 56
RayNet .....	53, 63–64
RealVision™ 3D transducers .....	67
RealVision™ Max 3D transducers .....	67
Rear connectors .....	53
SeaTalk NG .....	62
SideVision™ transducers .....	68
Traditional transducers .....	69
Transducer .....	67–69, 71
Transducers .....	53
USB (via RCR-SDUSB) .....	78
Video .....	53
Wi-Fi .....	65
Wire .....	54
Contact details .....	93

## D

Declaration of Conformity.....	11
Dedicated grounding .....	59
Diagnostics.....	94
Dimensions.....	33
Documentation.....	15

## E

e-Label.....	11
Electromagnetic Compatibility.....	38
EMC, See Electromagnetic Compatibility	
eS Series .....	127
Ethernet.....	128
Ethernet connection .....	63
External storage .....	78

## F

Factory reset .....	85
Flush mounting.....	47
Fuse rating.....	56

## G

GNSS antenna connection .....	80
GPS antenna connection.....	80
gS Series .....	127

## H

HDMI Out	
Resolutions .....	73

## I

Installation .....	47, 49
Best practice.....	58
Flush mount .....	47
Mounting options.....	41
Surface mount .....	50

Trunnion mounting .....	42, 45, 125
Interference .....	39
See <i>also</i> Compass safe distance	
RF.....	39
Internet connection .....	64–65
IP address.....	94
IP networking.....	128

## K

Keypad .....	41
--------------	----

## L

Legacy adaptor.....	16
LightHouse	
Downgrade .....	127
Location requirements	
General .....	35
GNSS .....	35
GPS.....	35
Touchscreen .....	37
Viewing angle .....	38
Wireless .....	37
Wireless interference.....	38

## M

Maintenance.....	11, 82
MFD transducers .....	27

## N

Name plaque.....	121
Network	
cables .....	115
Network connection.....	63
Networking (IP)	
Overview.....	128
NMEA 2000.....	126
PGN list .....	126
NMEA 2000 connection.....	62

## O

Operation instructions	
LightHouse 4 .....	16

## P

Parts supplied.....	30–31
Pilot keypad.....	41
Power	
Battery connection.....	58
Distribution .....	56
Distribution panel.....	57
Grounding.....	58
Sharing a breaker .....	57
Power connection .....	56
Power troubleshooting.....	84
Product Dimensions .....	33
Product documentation.....	15
Product features.....	18
Product information.....	94
Product overview.....	18
Product recycling (WEEE) .....	13
Product support.....	93

## R

Radio Frequency (RF) interference.....	39
RayNet.....	128
cables .....	114–115
RayNet cable .....	64
RayNet connection .....	63
Recovery mode .....	85
Regulatory standards .....	11
RJ45	
cables .....	115
Routine checks.....	82

## S

SeaTalk NG connection.....	62
SeaTalkhs	
cables .....	115

SeaTalkng	
Adaptor cables .....	120
Backbone cables .....	119
Connectors .....	119
Kits .....	117
Power cables .....	119
Spur cables.....	118
SeaTalkng cables .....	117
Service Center.....	93
Servicing.....	11, 82
Software update .....	16
Software updates .....	38
Sonar range.....	99, 104, 109
Spares .....	112
Support forum .....	95
Suppression ferrite .....	64
Suppression ferrites .....	78
Surface mounting .....	49
System examples .....	19

## T

Technical specification	
Approvals.....	99, 104, 109
Compliance.....	99, 104, 109
Connections specification.....	98, 103, 108
Environmental specification.....	97, 102, 107
Internal GNSS receiver specification .....	98, 103, 108
LCD specification.....	97, 102, 107
Physical specification.....	97, 102, 107
Power specification.....	97, 102, 107
Product markings.....	11
Technical support.....	93, 95
Tools required .....	42–43, 46, 48, 124
Bracket mounting .....	42–43, 124
Flush mounting .....	46
Surface mounting.....	48
Trunnion mounting .....	42–43, 124
Training courses.....	95
Transducers.....	27
Transducers, compatibility.....	112
Troubleshooting .....	84

GNSS .....	85
GNSS (GPS).....	85
GPS.....	85
Trunnion kit .....	43
Typical system.....	19

## V

Ventilation .....	35
Video connection .....	73

## W

Warranty .....	12, 93
WEEE Directive.....	13
What's in the box.....	30–31
Wi-Fi	
Settings.....	65

## Y

YachtSense Link	
IP address conflict.....	65
Network connection .....	65





**Raymarine (UK / EU)**

Marine House, Cartwright Drive,  
Fareham, Hampshire.  
PO15 5RJ.  
United Kingdom.

Tel: (+44) (0)1329 246 700

[www.raymarine.co.uk](http://www.raymarine.co.uk)

**Raymarine (US)**

110 Lowell Road,  
Hudson, NH 03051.  
United States of America.

Tel: (+1) 603-324-7900

[www.raymarine.com](http://www.raymarine.com)



**Raymarine®**