

D20A | D30A

**FRIDGE + FREEZER**  
FRESH AND FROZEN FOOD AND BEVERAGE



**BEST PERFORMANCE  
IN MINIMUM SPACE**

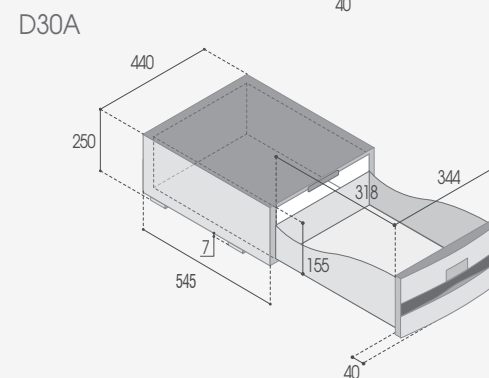
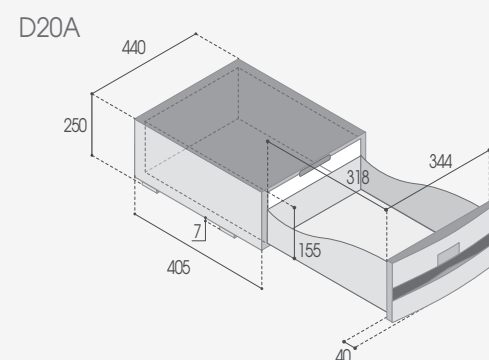
SUITABLE FOR SMALL SPACES, D20A AND D30A ARE USED TO SET ANY TEMPERATURE, AT ANY TIME. FOR EXAMPLE, START IN FRIDGE MODE AND THEN SWITCH TO FREEZER MODE OR VICE-VERSA.



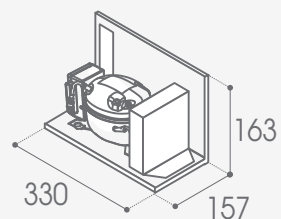
ALL IN ONE COMPACT DRAWER  
FRIDGE AND FREEZER

	D20A	D30A
TOTAL VOLUME	20 LT.	30 LT.
NET WEIGHT	15 KG.	17 KG.
POWER SUPPLY	12/24 VDC	
NOMINAL CONSUMPTION	43,5 W	43,5 W

OPTIONAL  
DOUBLE VOLTAGE ELECTRONIC UNIT



COOLING UNIT  
REMOVABLE UP TO 1,5 M



9602-0075

ALL IN ONE COMPACT DRAWER  
FRIDGE AND FREEZER

ALL IN ONE COMPACT DRAWER FRIDGE AND FREEZER

**YOU DECIDE.  
ANY TEMPERATURE,  
ANY TIME.**



**VITRIFRIGO**  
COOL AND BEYOND

VITRIFRIGO S.r.l. Via Mazzini, 75 - Fraz. Montecchio - 61022 Vallefoglia (PU) - Italy  
Tel. +39 0721 154.500 - www.vitrifrigo.com - info@vitrifrigo.com

**VITRIFRIGO**  
COOL AND BEYOND



**GREEN ENVIRONMENT**  
COMPRESSOR TECHNOLOGY  
IN R600a NATURAL GAS

# D20A | D30A

## ALL IN ONE COMPACT DRAWER FRIDGE AND FREEZER

### NIGHT MODE

### DESIGN AND QUALITY MADE IN ITALY



LOW NOISE



MAXIMUM ENERGY SAVING

SMART CONTROL FOR HIGH LEVEL COMFORT

- ▶ 4 POSITIVE TEMPERATURE SET POINTS
- ▶ FREEZER MODE

CHOOSE YOUR FAVOURITE COLOR

## BLACK

## WHITE

Available in black and/or white, the D20A and D30A have an elegant and refined finish that is harmoniously suited to any interior.

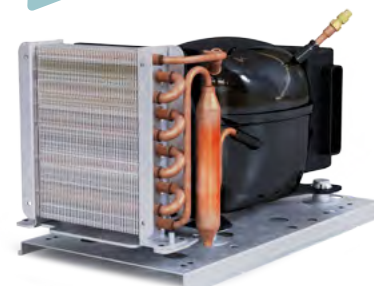


H max  
165 mm.

### REMOVABLE COOLING UNIT

### UP TO 1,5 mt.

With the DW20/30A series you are finally free to maximise any space. The removable external cooling unit offers added available volume inside the refrigerator. In addition, it expands the installation possibilities in terms of functionality, efficiency and soundproofing.



### BLACK



### WHITE

