

D20A | D30A

FRIDGE + FREEZER
FRESH AND FROZEN FOOD AND BEVERAGE



**BEST PERFORMANCE
IN MINIMUM SPACE**

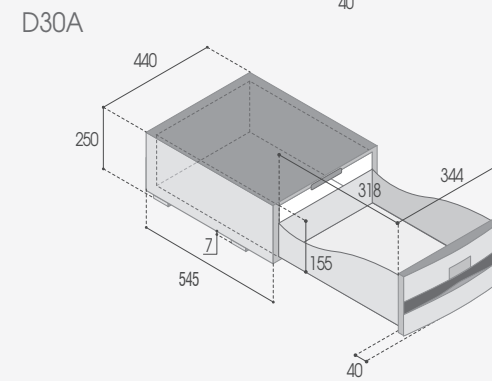
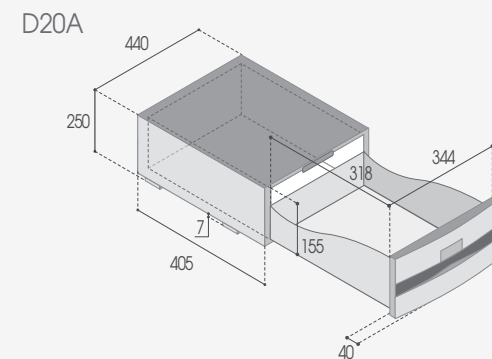
SUITABLE FOR SMALL SPACES, D20A AND D30A ARE USED TO SET ANY TEMPERATURE, AT ANY TIME. FOR EXAMPLE, START IN FRIDGE MODE AND THEN SWITCH TO FREEZER MODE OR VICE-VERSA.



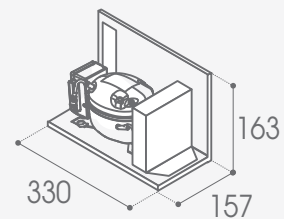
ALL IN ONE COMPACT DRAWER
FRIDGE AND FREEZER

	D20A	D30A
TOTAL VOLUME	20 LT.	30 LT.
NET WEIGHT	15 KG.	17 KG.
POWER SUPPLY	12/24 VDC	
NOMINAL CONSUMPTION	43,5 W	43,5 W

OPTIONAL
DOUBLE VOLTAGE ELECTRONIC UNIT



COOLING UNIT
REMOVABLE UP TO 1,5 M



9602-0075

ALL IN ONE COMPACT DRAWER
FRIDGE AND FREEZER

ALL IN ONE COMPACT DRAWER FRIDGE AND FREEZER

**YOU DECIDE.
ANY TEMPERATURE,
ANY TIME.**



VITRIFRIGO
COOL AND BEYOND

VITRIFRIGO S.r.l. Via Mazzini, 75 - Fraz. Montecchio - 61022 Vallefoglia (PU) - Italy
Tel. +39 0721 154.500 - www.vitrifrigo.com - info@vitrifrigo.com

VITRIFRIGO
COOL AND BEYOND



GREEN ENVIRONMENT
COMPRESSOR TECHNOLOGY
IN R600a NATURAL GAS

D20A | D30A

ALL IN ONE COMPACT DRAWER FRIDGE AND FREEZER

NIGHT MODE

DESIGN AND QUALITY MADE IN ITALY



LOW NOISE



MAXIMUM ENERGY SAVING

SMART CONTROL FOR HIGH LEVEL COMFORT

- ▶ 4 POSITIVE TEMPERATURE SET POINTS
- ▶ FREEZER MODE

CHOOSE YOUR FAVOURITE COLOR

BLACK

WHITE

Available in black and/or white, the D20A and D30A have an elegant and refined finish that is harmoniously suited to any interior.

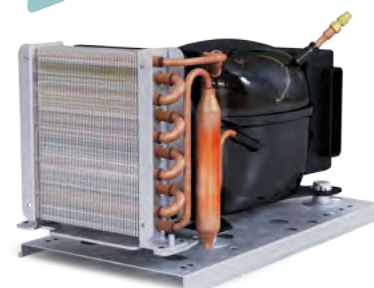


H max
165 mm.

REMOVABLE COOLING UNIT

UP TO 1,5 mt.

With the DW20/30A series you are finally free to maximise any space. The removable external cooling unit offers added available volume inside the refrigerator. In addition, it expands the installation possibilities in terms of functionality, efficiency and soundproofing.



BLACK



WHITE

