

Description

IP68-rated straight-through cable entry glands to ensure watertight and dustproof connectivity.

Application

Allows a cable to pass through a flat surface while protecting against the ingress of water and dust. Ideal for electrical power, aerial or data communications cables and fibre optics. Recommended for use on boats caravans and RV's as well as data communication, construction and renewable energy.

Part No	Max Cable size	Finish	Features	Dimensions Dia x H mm	Part No	Max Cable size	Finish	Features	Dimensions Dia x H mm
DG8P	8mm	Grey Plastic	Preformed bungs included for pass-through cable sizes 2-8mm.	35 x 11	DG30P	25mm	Grey Plastic	User drills cable holes - allows multiple cables of different sizes to pass through. Allows connector up to 30mm to pass through before cable is sealed. Drill holes must be a min of 8mm from the edge of the bung and 6mm from other drill holes.	60 x 19
DG8PW	8mm	White Plastic			DG30PW	25mm	White Plastic		
DG8A	8mm	Aluminium			DG30A	25mm	Aluminium		
DG8A	8mm	Stainless Steel			DG30S	25mm	Stainless Steel		
DG20P	14mm	Grey Plastic	User drills cable holes - allows multiple cables of different sizes to pass through. Allows connector up to 21mm to pass through before cable is sealed. Drill holes must be a min of 8mm from the edge of the bung and 6mm from other drill holes.	49 x 19	DG40P	36mm	Grey Plastic	User drills cable holes - allows multiple cables of different sizes to pass through. Allows connector up to 40mm to pass through before cable is sealed. Drill holes must be a min of 8mm from the edge of the bung and 6mm from other drill holes.	70 x 19
DG20PW	14mm	White Plastic			DG40PW	36mm	White Plastic		
DG20A	14mm	Aluminium			DG40A	36mm	Aluminium		
DG20S	14mm	Stainless Steel			DG40S	36mm	Stainless Steel		
DG21P	9mm	Grey Plastic	3 preformed bungs included for pass-through cable sizes 4.5-9mm. (No drilling required). Allows connector up to 21mm to pass through before cable is sealed.	49 x 19	DG45P	15mm	Grey Plastic	1 preformed bung included for pass-through cable sizes 12-15mm. Allows connector up to 40mm to pass through before cable is sealed.	70 x 19
DG21PW	9mm	White Plastic			DG45PW	15mm	White Plastic		
DG21A	9mm	Aluminium			DG45A	15mm	Aluminium		
DG21S	9mm	Stainless Steel			DG45A	15mm	Stainless Steel		
DG22P	14mm	Grey Plastic	3 preformed bungs included for pass-through cable sizes 9-14mm. (No drilling required). Allows connector up to 21mm to pass through before cable is sealed.	49 x 19	DG50A	14mm	Aluminium	User drills cable holes - allows multiple cables of different sizes to pass through. Allows connector up to 50mm to pass through before cable is sealed. Drill holes must be a min of 8mm from the edge of the bung and 6mm from other drill holes.	81 x 24
DG22PW	14mm	White Plastic			DG50S	47mm	Stainless Steel		
DG22A	14mm	Aluminium							
DG22S	14mm	Stainless Steel							

Attributes

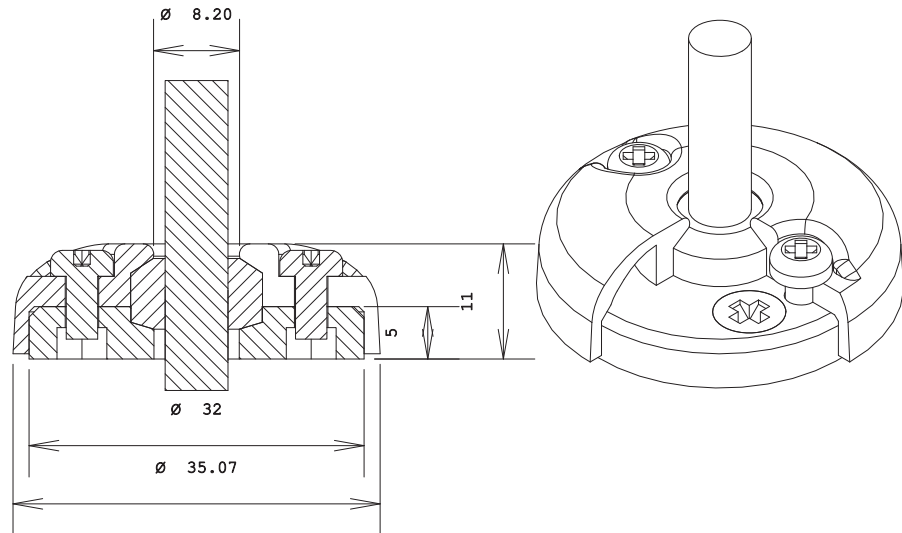
Rating IP68



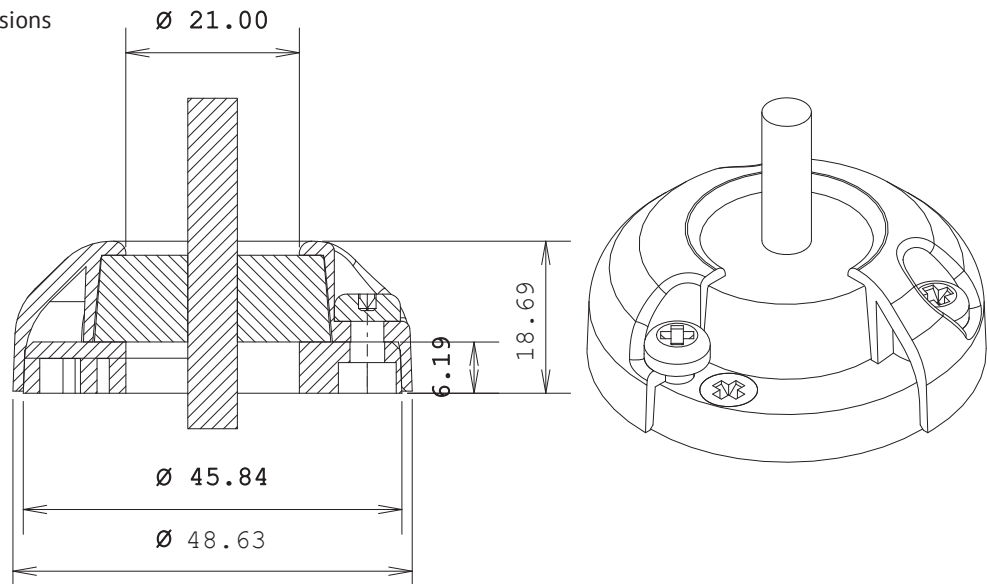
INDEX MARINE LTD

Unit 42, Enterprise Park, Piddlehinton, Dorset, DT2 7UA
 t +44 (0)1305 849 405 w www.indexmarine.com e sales@indexmarine.com
 Document version: IMDG01 ©Index Marine Limited

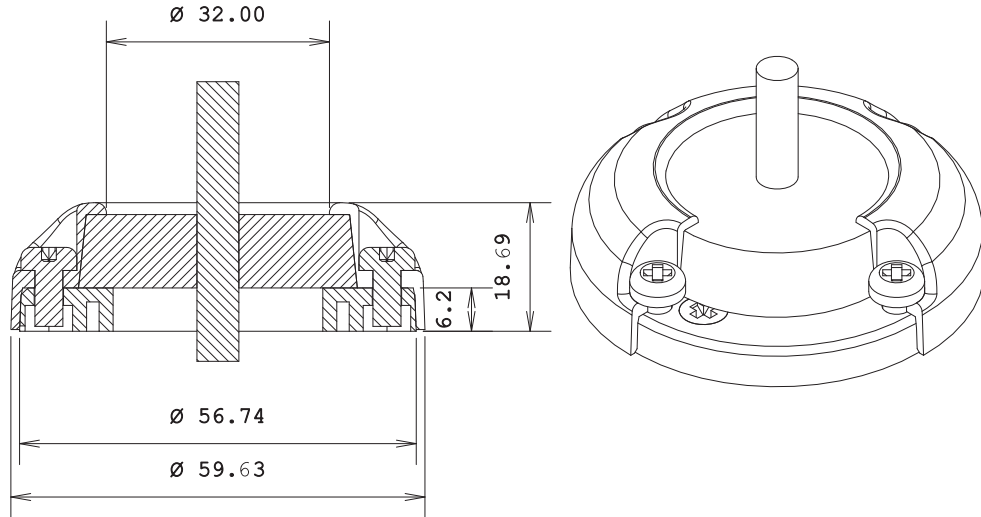
DG8 Dimensions



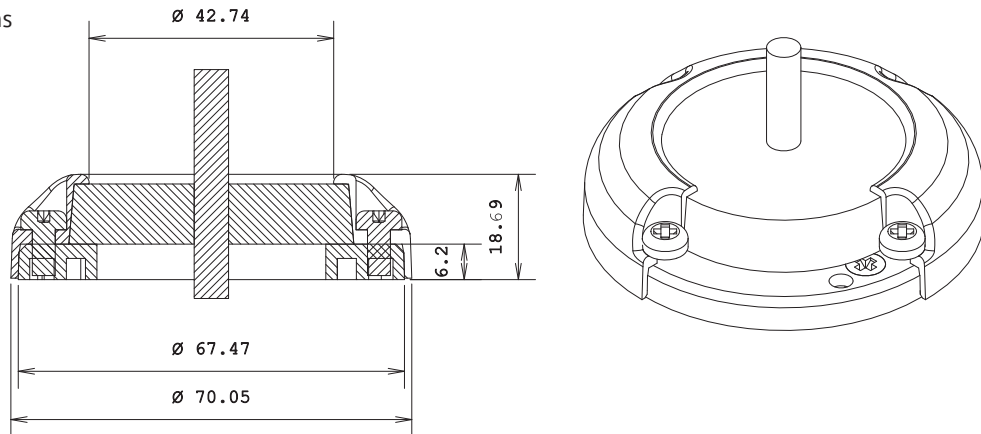
DG20/21/22 Dimensions



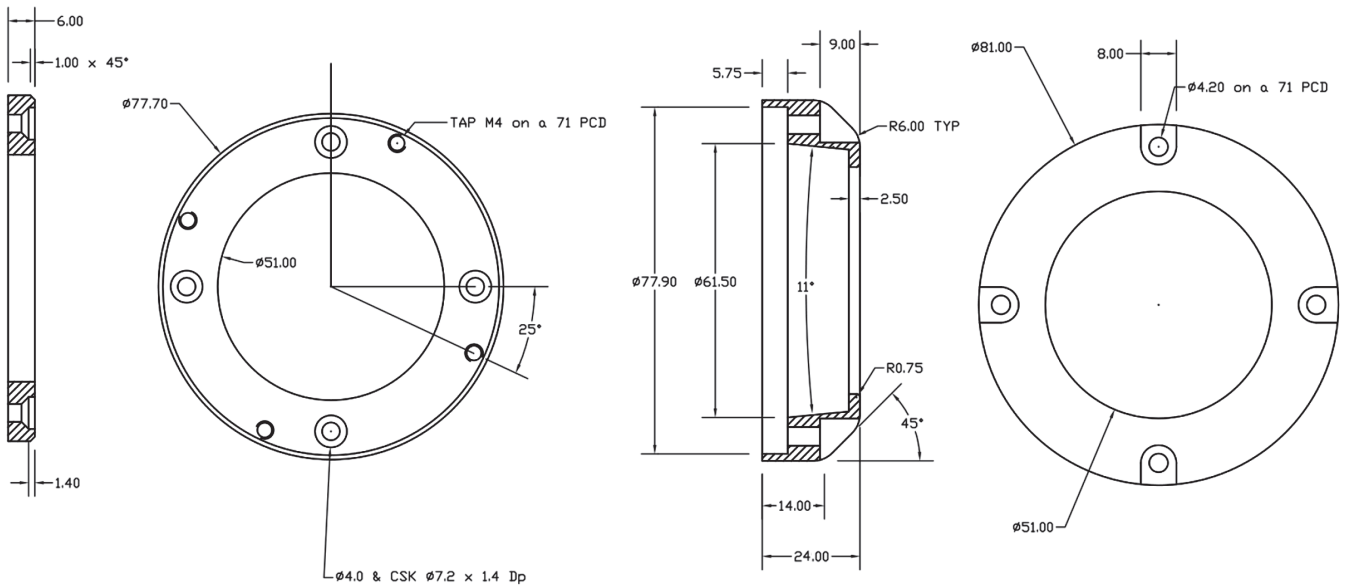
DG30 Dimensions



DG40/45 Dimensions



DG50 Dimensions



Materials	
Base gland	PA6-GF30
Outer case (stainless steel version)	316 stainless steel
Outer case (aluminium version)	Marine standard anodised aluminium
Outer case (white plastic version)	UV stabilised white PA6-GF30
Outer case (grey plastic version)	UV stabilised dove grey PA6-GF30
Seal	Depending on type: either pre-drilled or blank seal – rubber
Gasket	Waterproof gasket
Screws	Stainless steel



INDEX MARINE LTD

Unit 42, Enterprise Park, Piddhinton, Dorset, DT2 7UA
 t +44 (0)1305 849 405 w www.indexmarine.com e sales@indexmarine.com
 Document version: IMDG01 ©Index Marine Limited