

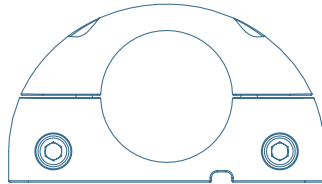


Ahead of the Curve®

ETXv3 Mounting Fixtures

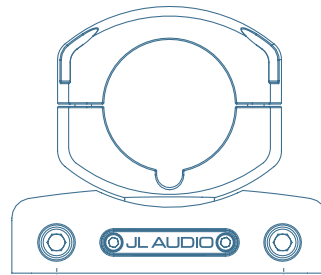
Pipe (Fixed)

Fixed Mount Options
Available for most pipe diameters



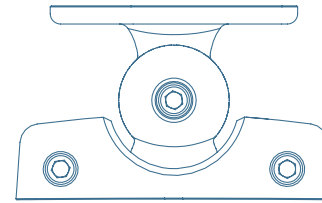
Pipe (Swivel)

Swivel Mount Options
Available for most pipe diameters



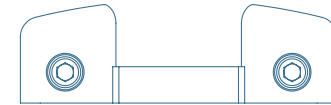
Deck/Surface

Mount or hang enclosures from flat surfaces. Fixed angle and adjustable angle versions are available.

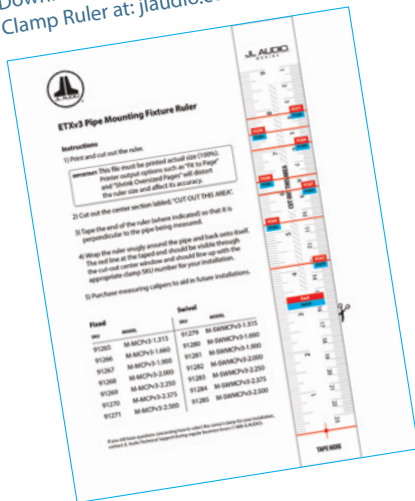


OEM-Specific

Designed specifically for receivers made by select boat manufacturers. (Visit our website for the most up-to-date listing of models.)



Need help determining the correct Pipe-Mounting Clamp for your installation?
Download the Pipe-Mounting Clamp Ruler at: jlaudio.com/ruler



Secure mounting is a must for any marine enclosed speaker system!

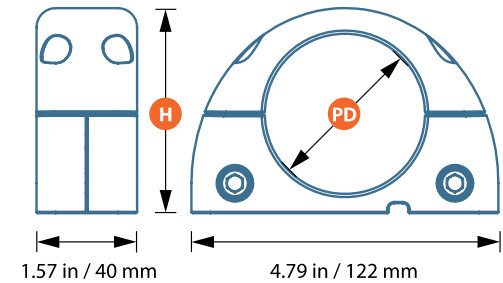
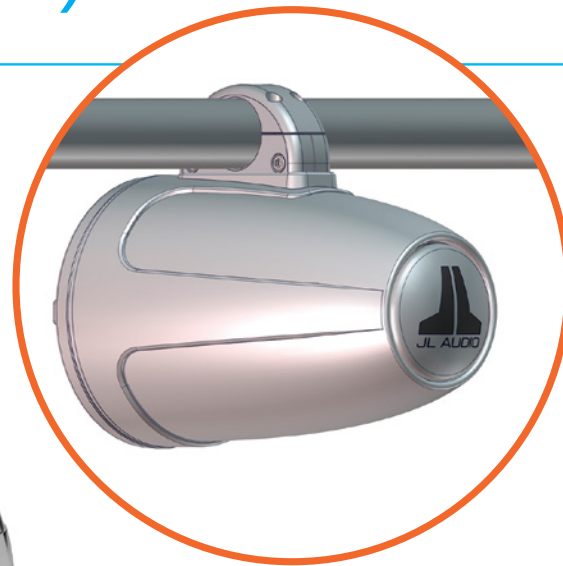
- Choose from deck or pipe-mount options, with fixed-angle or adjustable-angle designs.
- All mounts feature durable, corrosion-resistant aluminum or stainless-steel construction, forged and precision-machined for unbeatable mounting integrity.
- Specific models for different pipe diameters result in much better fit and mounting integrity than "all-in-one" solutions.
- Mounts are designed to conceal wiring, for a clean appearance when installed.



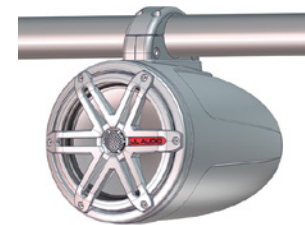
Ahead of the Curve®

Find the right
mounting fixture for
your boat here:

Pipe (Fixed)



FLEXIBLE MOUNTING OPTIONS



Horizontal Mounting



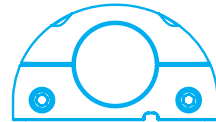
Vertical Mounting



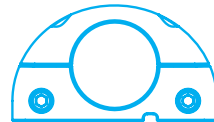
M-MCPv3-1.315
H: 2.46 in / 62 mm
PD: 1.315 in / 33.4 mm
 SKU# 91265



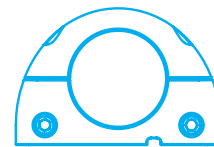
M-MCPv3-1.660
H: 2.46 in / 62 mm
PD: 1.660 in / 42.2 mm
 SKU# 91266



M-MCPv3-1.900
H: 2.70 in / 69 mm
PD: 1.900 in / 48.3 mm
 SKU# 91267



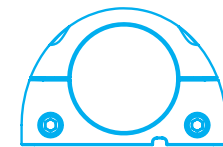
M-MCPv3-2.000
H: 2.70 in / 69 mm
PD: 2.000 in / 50.8 mm
 SKU# 91268



M-MCPv3-2.250
H: 3.20 in / 81 mm
PD: 2.250 in / 57.2 mm
 SKU# 91269

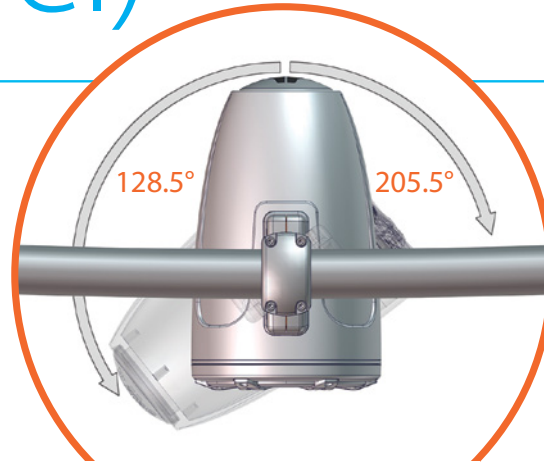


M-MCPv3-2.375
H: 3.20 in / 81 mm
PD: 2.375 in / 60.3 mm
 SKU# 91270



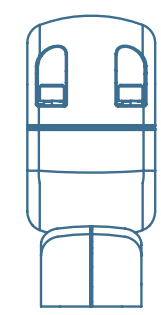
M-MCPv3-2.500
H: 3.20 in / 81 mm
PD: 2.500 in / 63.5 mm
 SKU# 91271

Pipe (Swivel)

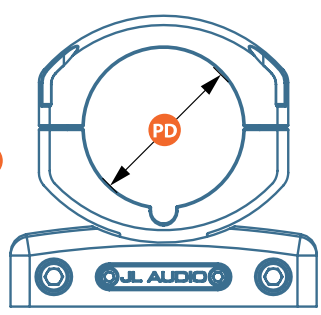


Swivel mounting fixtures are designed to attach to horizontal pipes, giving ETXv3 enclosures a total of 334 degrees of swivel capability. The fixture can rotate up to 205.5° in the clockwise direction, and 128.5° in the counter-clockwise direction.

2.00 in / 51 mm



1.57 in / 40 mm



H

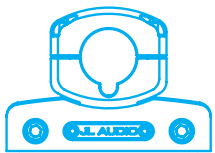
PD

4.79 in / 122 mm

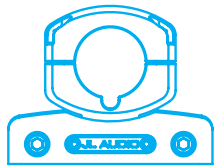


IMPORTANT

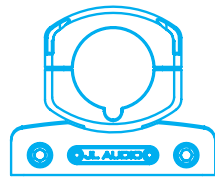
Swivel mounting fixtures are designed to be attached to horizontal pipes **ONLY**. ETXv3 enclosures should only be mounted directly above (12 O'clock position) or directly below (6 O'clock position) the horizontal pipe. **DO NOT** attach swivel mounting fixtures to vertical or angled pipes.



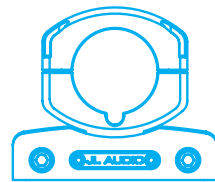
M-SWMCpv3-1.315
H: 3.366 in / 86 mm
PD: 1.315 in / 33.4 mm
 SKU# 91279



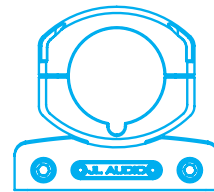
M-SWMCpv3-1.660
H: 3.71 in / 94 mm
PD: 1.660 in / 42.2 mm
 SKU# 91280



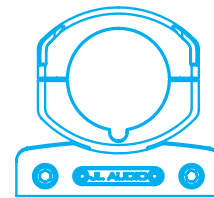
M-SWMCpv3-1.900
H: 3.95 in / 100 mm
PD: 1.900 in / 48.3 mm
 SKU# 91281



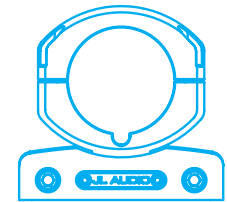
M-SWMCpv3-2.000
H: 4.05 in / 103 mm
PD: 2.000 in / 50.8 mm
 SKU# 91282



M-SWMCpv3-2.250
H: 4.30 in / 109 mm
PD: 2.250 in / 57.2 mm
 SKU# 91283

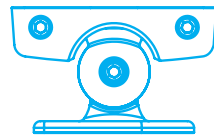


M-SWMCpv3-2.375
H: 4.426 in / 112 mm
PD: 2.375 in / 60.3 mm
 SKU# 91284

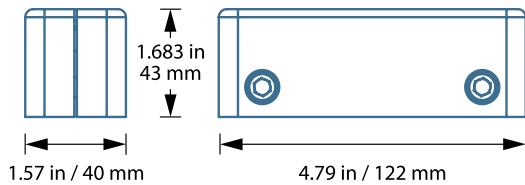
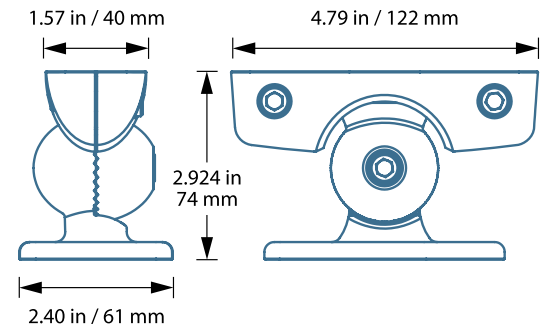
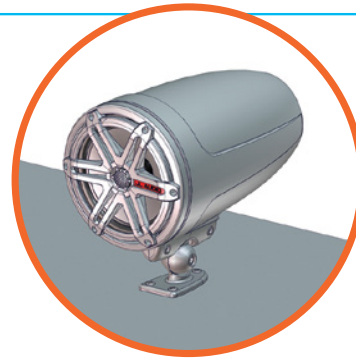


M-SWMCpv3-2.500
H: 4.55 in / 116 mm
PD: 2.500 in / 63.5 mm
 SKU# 91285

Deck/Surface



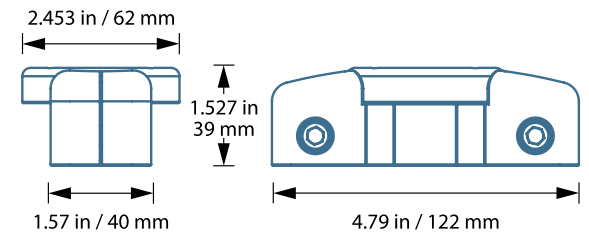
M-MCPv3-DM
Tilt-adjustable, surface
mounting
SKU# 91273



M-MCPv3-SM
Surface mounting
SKU# 91278



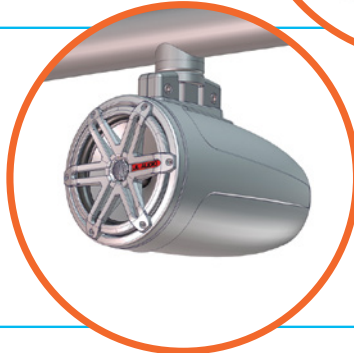
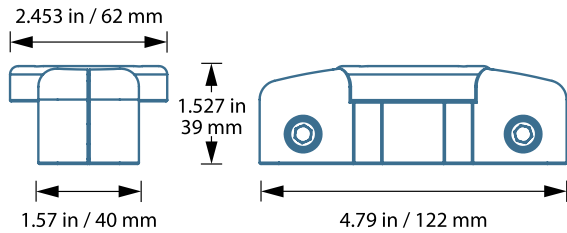
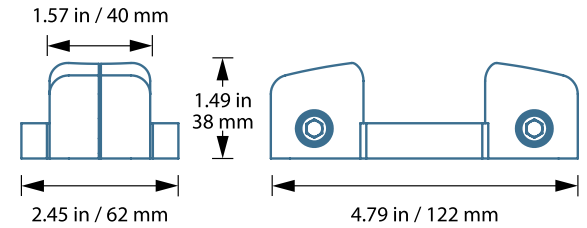
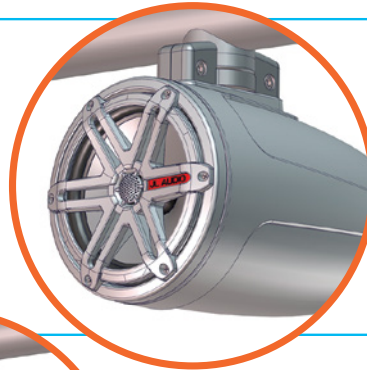
M-MCPv3-MC
MasterCraft®
Tower Mount
SKU# 91274



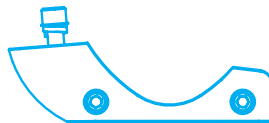
OEM-Specific



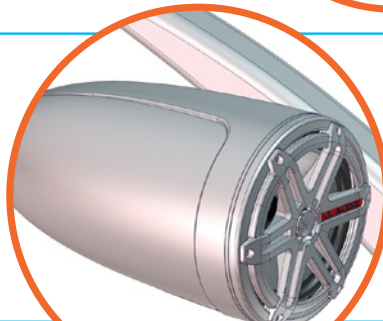
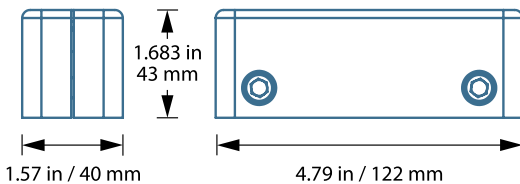
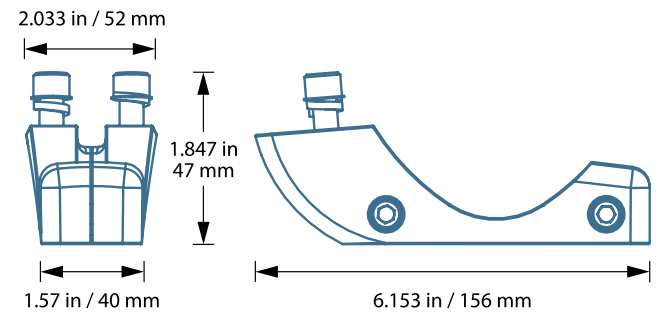
M-MCPv3-MC/LP
fits MasterCraft®
Tower Mount
SKU# 91275



M-MCPv3-MC
fits MasterCraft®
Tower Mount
SKU# 91274



M-MCPv3-NA
fits Nautique®
Tower Mount
SKU# 91277



M-MCPv3-SM
fits Four Winns®
Arch Mount
SKU# 91278



