

REMOVE ALL BURRS AND SHARP EDGES.(UNLESS OTHERWISE STATED). DO NOT SCALE.

THIS DOCUMENT IS DANIAMANT COPYRIGHT AND CONTAINS PROPRIETARY OWNED INTELLECTUAL PROPERTY RIGHTS AND CONFIDENTIAL DATA. ALL RIGHTS ARE STRICTLY RESERVED.THE INFORMATION MUST NOT BE USED EXCEPT FOR THE AGREED PURPOSE.UNAUTHORIZED USE, REPRODUCTION, OR ISSUE TO ANY THIRD PARTY IS NOT PERMITTED WITHOUT THE PRIOR WRITTEN AUTHORITY OF DANIAMANT. THIS DOCUMENT IS TO BE RETURNED TO DANIAMANT WHEN THE AGREED PURPOSE IS FULFILLED.

THIS DOCUMENT IS UNCONTROLLED, UNLESS OTHERWISE STATED

MATERIAL :

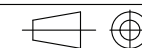
DIMENSIONS IN :- MM

TITLE
3D Visual Processor



FINISH :-

3RD. ANGLE PROJECTION
B.S. 8888



TOLERANCES DS/ISO 2768 - m

DRAWING No.

SHT. 1
OF
SHT. 1

A
4

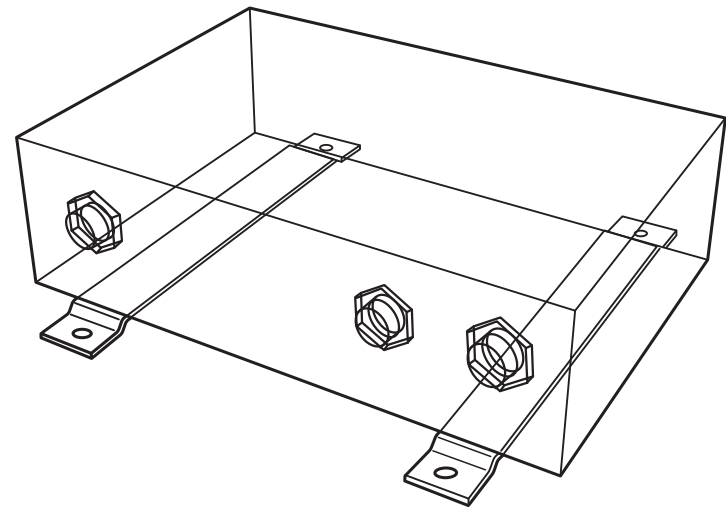
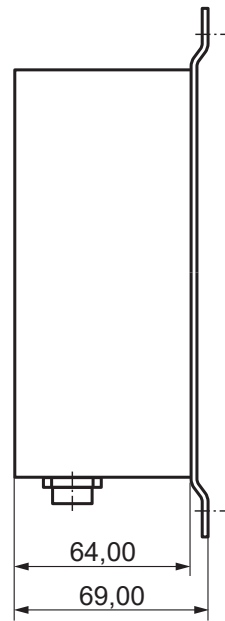
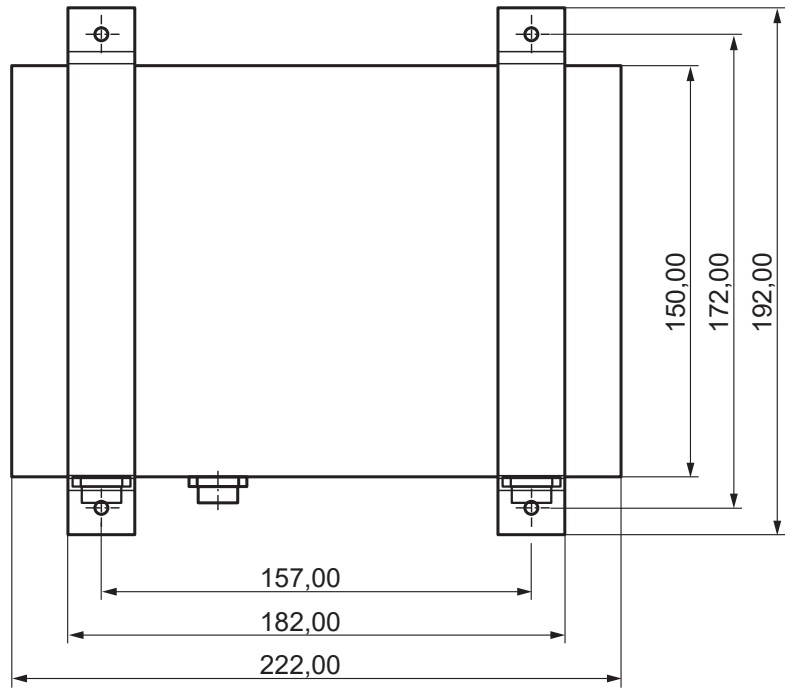
ISSUE	CHG. No.	DATE	APPD

DRAWN
BO

APPROVED
Daniamant

RELEASED
Daniamant

SCALE ~



REMOVE ALL BURRS AND SHARP EDGES.(UNLESS OTHERWISE STATED). DO NOT SCALE.

THIS DOCUMENT IS DANIAMANT COPYRIGHT AND CONTAINS PROPRIETARY OWNED INTELLECTUAL PROPERTY RIGHTS AND CONFIDENTIAL DATA. ALL RIGHTS ARE STRICTLY RESERVED.THE INFORMATION MUST NOT BE USED EXCEPT FOR THE AGREED PURPOSE.UNAUTHORIZED USE, REPRODUCTION, OR ISSUE TO ANY THIRD PARTY IS NOT PERMITTED WITHOUT THE PRIOR WRITTEN AUTHORITY OF DANIAMANT. THIS DOCUMENT IS TO BE RETURNED TO DANIAMANT WHEN THE AGREED PURPOSE IS FULFILLED.

THIS DOCUMENT IS UNCONTROLLED, UNLESS OTHERWISE STATED

MATERIAL :

DIMENSIONS IN :- MM

TITLE

Echopilot FLS3D Trans. Interface

Daniamant
www.daniamant.com

FINISH :-

3RD. ANGLE PROJECTION
B.S. 8888



TOLERANCES DS/ISO 2768 - m

DRAWING No.
31429B-30

SHT. 1
OF
SHT. 1

A
4

		20-03-2025	
ISSUE	CHG. No.	DATE	APPD

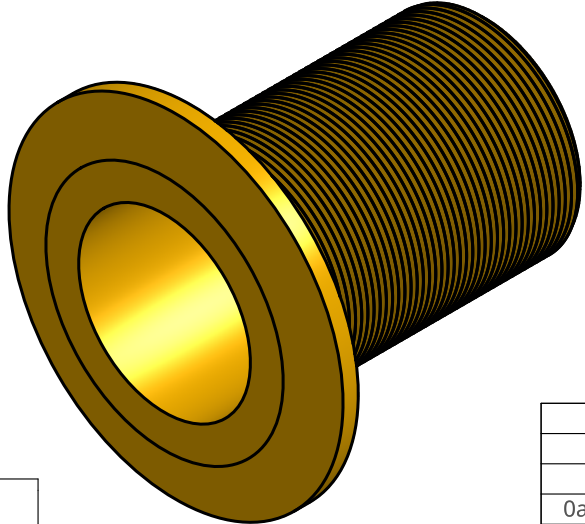
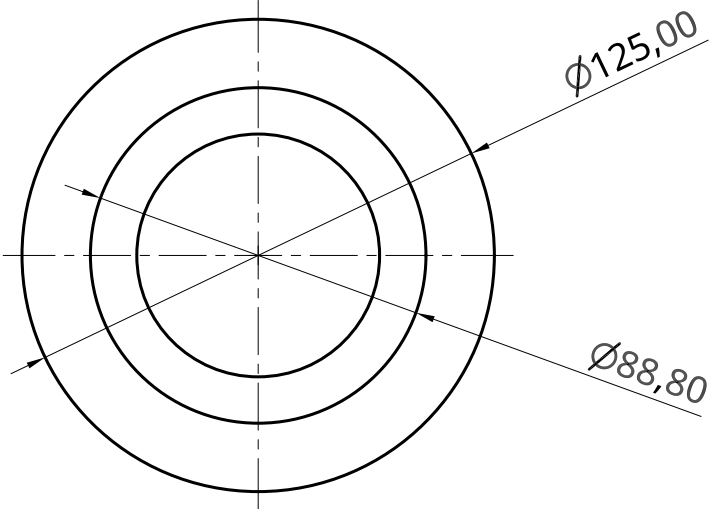
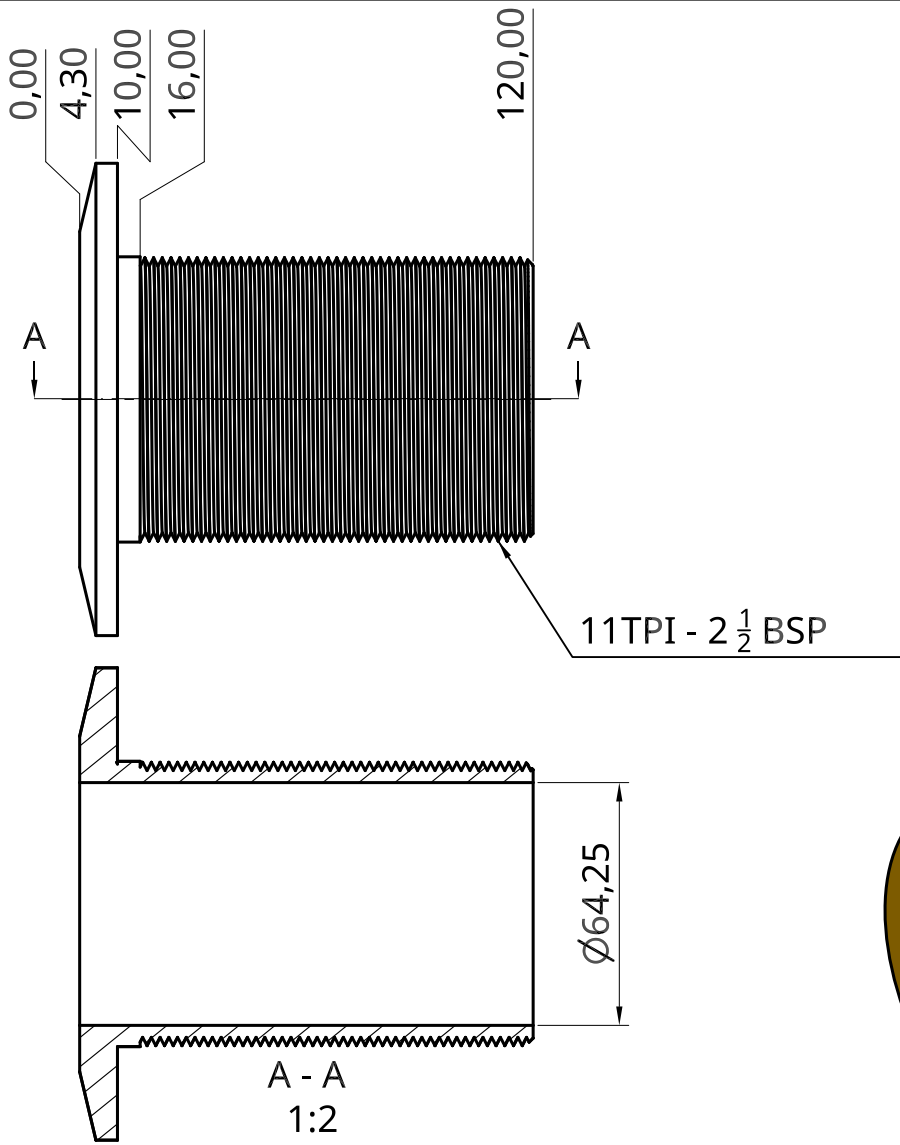
DRAWN
BO

APPROVED
Daniamant

RELEASED
Daniamant

SCALE ~


USED ON
31421



REMOVE ALL BURRS AND SHARP EDGES.(UNLESS OTHERWISE STATED). DO NOT SCALE.

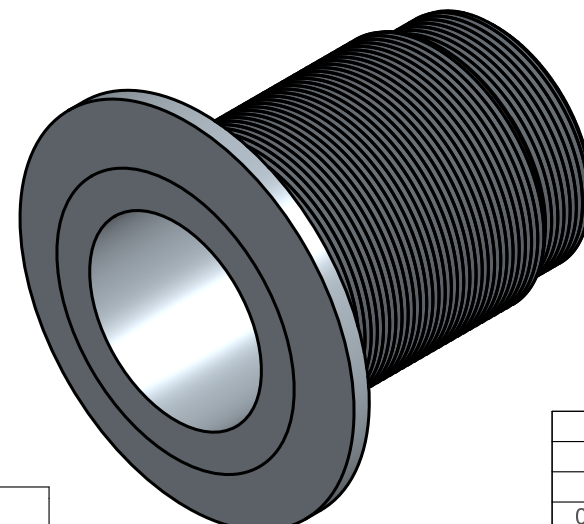
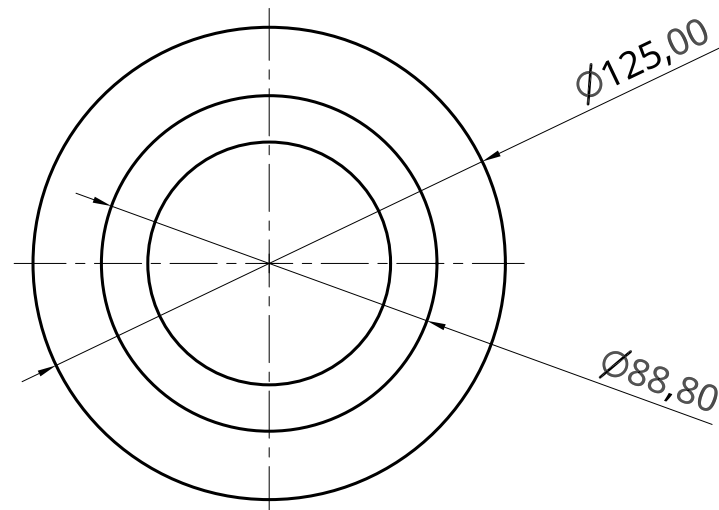
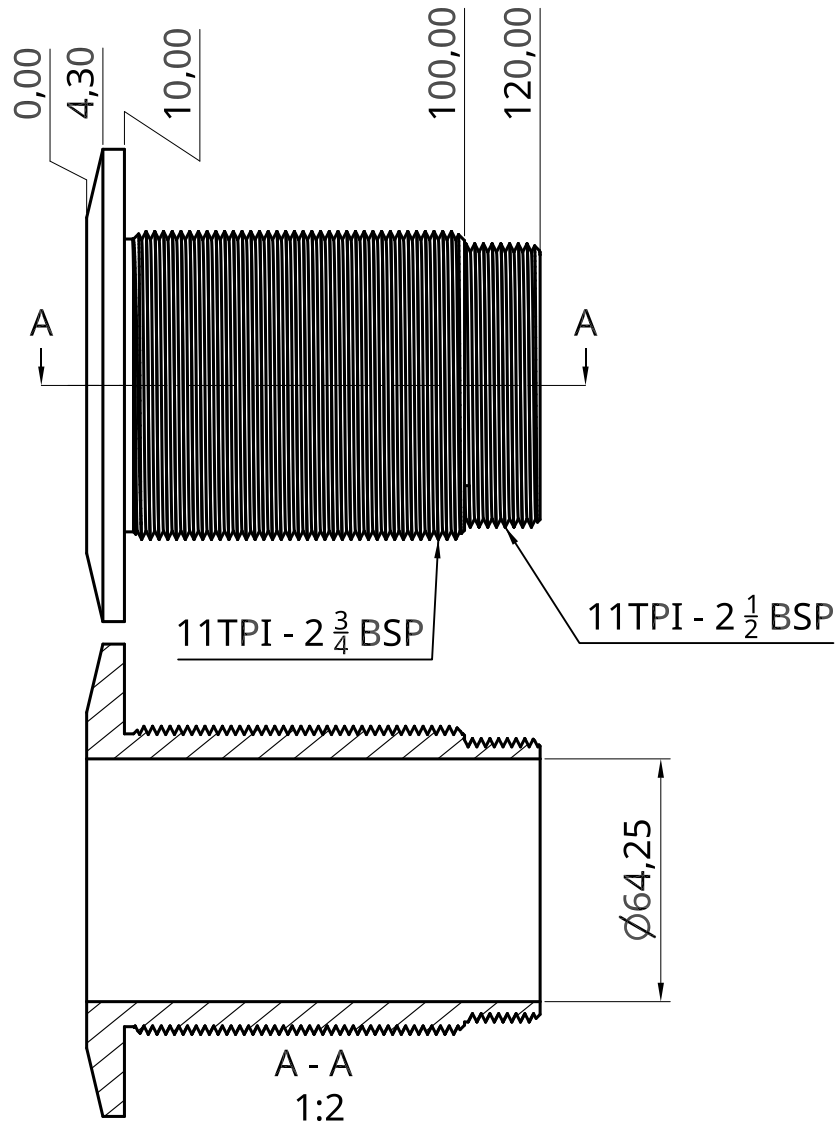
THIS DOCUMENT IS DANIAMANT COPYRIGHT AND CONTAINS PROPRIETARY OWNED INTELLECTUAL PROPERTY RIGHTS AND CONFIDENTIAL DATA. ALL RIGHTS ARE STRICTLY RESERVED.THE INFORMATION MUST NOT BE USED EXCEPT FOR THE AGREED PURPOSE.UNAUTHORISED USE, REPRODUCTION, OR ISSUE TO ANY THIRD PARTY IS NOT PERMITTED WITHOUT THE PRIOR WRITTEN AUTHORITY OF DANIAMANT. THIS DOCUMENT IS TO BE RETURNED TO DANIAMANT WHEN THE AGREED PURPOSE IS FULFILLED.

THIS DOCUMENT IS UNCONTROLLED, UNLESS OTHERWISE STATED

MATERIAL : Brass	DIMENSIONS IN :- MM
TITLE. 3D Skin fitting 5" x 2,5" Brass	 www.daniamant.com

ISSUE	CHG. No.	DATE	APPD
0a			
FINISH :-		DRAWN Franck	APPROVED Daniamant
3RD. ANGLE PROJECTION B.S. 8888		RELEASED Daniamant	SCALE 1:2
TOLERANCES DS/ISO 2768 - m		DRAWING No. 31448	SHT. 1 OF SHT. 1
			A 4

USED ON
31425



REMOVE ALL BURRS AND SHARP EDGES.(UNLESS OTHERWISE STATED). DO NOT SCALE.

THIS DOCUMENT IS DANIAMANT COPYRIGHT AND CONTAINS PROPRIETARY OWNED INTELLECTUAL PROPERTY RIGHTS AND CONFIDENTIAL DATA. ALL RIGHTS ARE STRICTLY RESERVED.THE INFORMATION MUST NOT BE USED EXCEPT FOR THE AGREED PURPOSE.UNAUTHORISED USE, REPRODUCTION, OR ISSUE TO ANY THIRD PARTY IS NOT PERMITTED WITHOUT THE PRIOR WRITTEN AUTHORITY OF DANIAMANT. THIS DOCUMENT IS TO BE RETURNED TO DANIAMANT WHEN THE AGREED PURPOSE IS FULFILLED.

THIS DOCUMENT IS UNCONTROLLED, UNLESS OTHERWISE STATED

MATERIAL : Steel

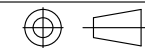
DIMENSIONS IN :- MM

TITLE.
Steel skin fitting 5"



FINISH :-

3RD. ANGLE PROJECTION
B.S. 8888



DRAWN
Franck

APPROVED
Daniamant

RELEASED
Daniamant

SCALE
1:2

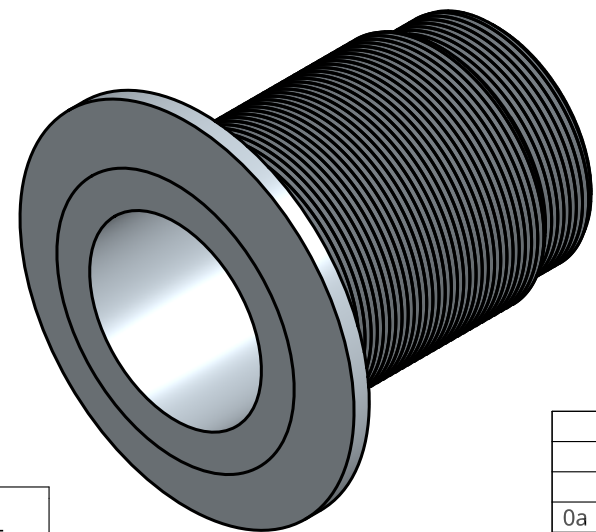
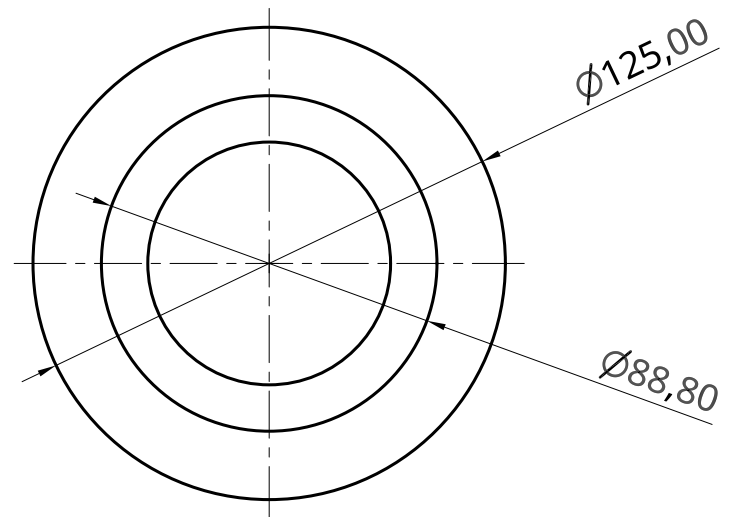
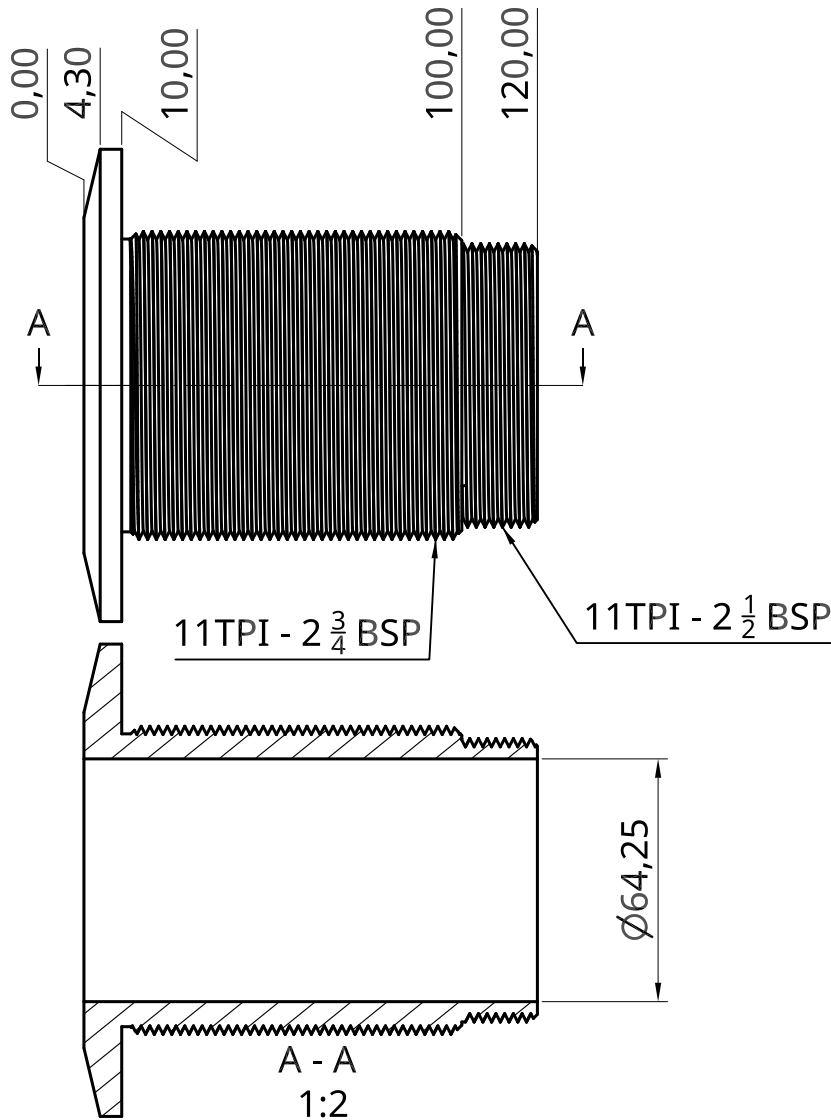
TOLERANCES DS/ISO 2768 - m

DRAWING No.
31461

SHT. 1
OF
SHT. 1
A
4

0a			
ISSUE	CHG. No.	DATE	APPD

USED ON
43423



REMOVE ALL BURRS AND SHARP EDGES.(UNLESS OTHERWISE STATED). DO NOT SCALE.

THIS DOCUMENT IS DANIAMANT COPYRIGHT AND CONTAINS PROPRIETARY OWNED INTELLECTUAL PROPERTY RIGHTS AND CONFIDENTIAL DATA. ALL RIGHTS ARE STRICTLY RESERVED.THE INFORMATION MUST NOT BE USED EXCEPT FOR THE AGREED PURPOSE.UNAUTHORISED USE, REPRODUCTION, OR ISSUE TO ANY THIRD PARTY IS NOT PERMITTED WITHOUT THE PRIOR WRITTEN AUTHORITY OF DANIAMANT. THIS DOCUMENT IS TO BE RETURNED TO DANIAMANT WHEN THE AGREED PURPOSE IS FULFILLED.

THIS DOCUMENT IS UNCONTROLLED, UNLESS OTHERWISE STATED

MATERIAL : Aluminium

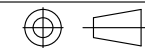
DIMENSIONS IN :- MM

TITLE.
Aluminium skin fitting 5"



FINISH :-

3RD. ANGLE PROJECTION
B.S. 8888



DRAWN
Franck

APPROVED
Daniamant

RELEASED
Daniamant

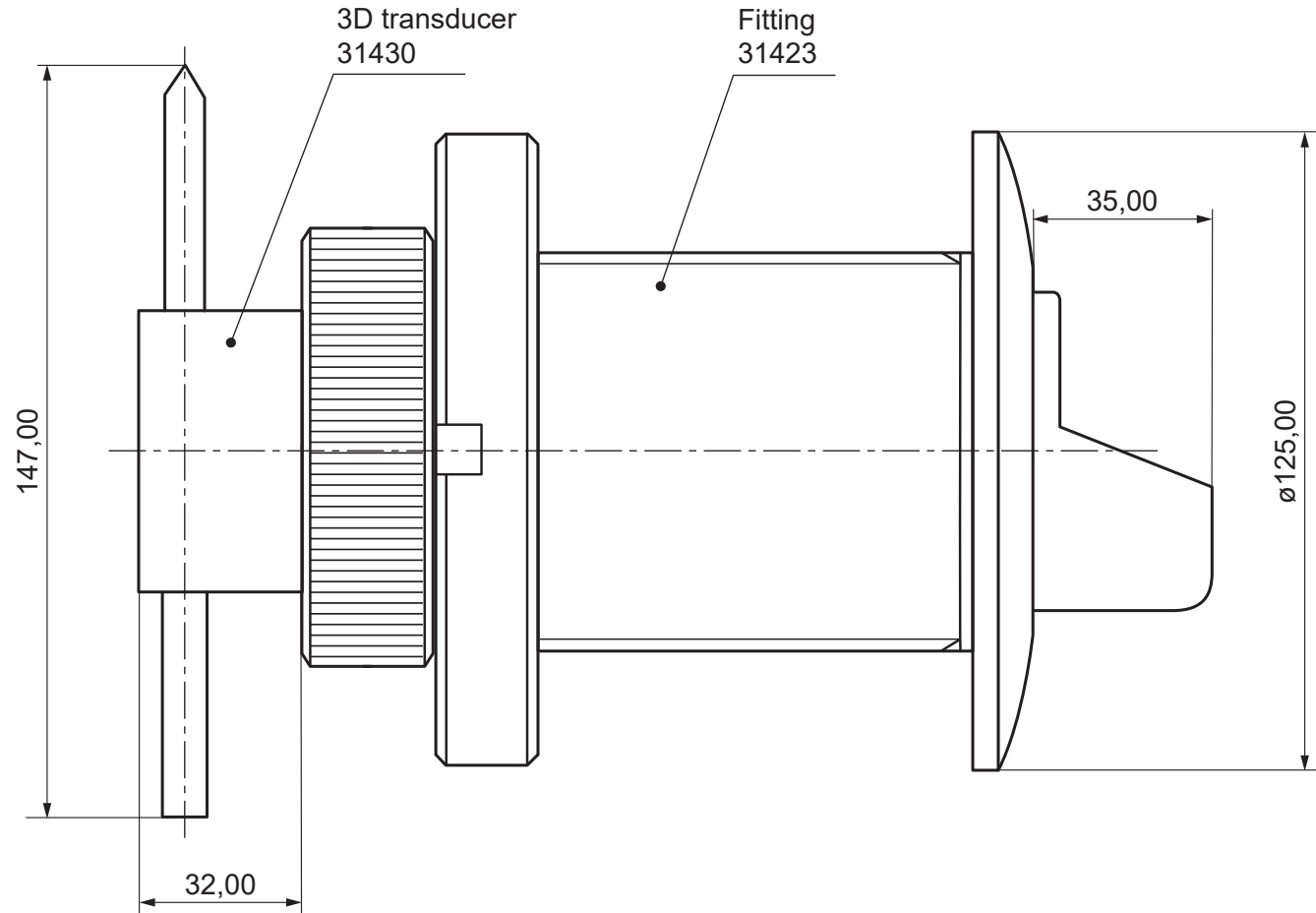
SCALE
1:2

TOLERANCES DS/ISO 2768 - m

DRAWING No.
31458

SHT. 1
OF
SHT. 1
A
4

0a			
ISSUE	CHG. No.	DATE	APPD



REMOVE ALL BURRS AND SHARP EDGES.(UNLESS OTHERWISE STATED). DO NOT SCALE.

THIS DOCUMENT IS DANIAMANT COPYRIGHT AND CONTAINS PROPRIETARY OWNED INTELLECTUAL PROPERTY RIGHTS AND CONFIDENTIAL DATA. ALL RIGHTS ARE STRICTLY RESERVED.THE INFORMATION MUST NOT BE USED EXCEPT FOR THE AGREED PURPOSE.UNAUTHORIZED USE, REPRODUCTION, OR ISSUE TO ANY THIRD PARTY IS NOT PERMITTED WITHOUT THE PRIOR WRITTEN AUTHORITY OF DANIAMANT. THIS DOCUMENT IS TO BE RETURNED TO DANIAMANT WHEN THE AGREED PURPOSE IS FULFILLED.

THIS DOCUMENT IS UNCONTROLLED, UNLESS OTHERWISE STATED

MATERIAL :

DIMENSIONS IN :- MM

TITLE

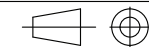
3D Transducer w. fitting

Daniamant
www.daniamant.com

FINISH :-

3RD. ANGLE PROJECTION
B.S. 8888

TOLERANCES DS/ISO 2768 - m



DRAWING No.

DRAWN
BO

RELEASED
Daniamant

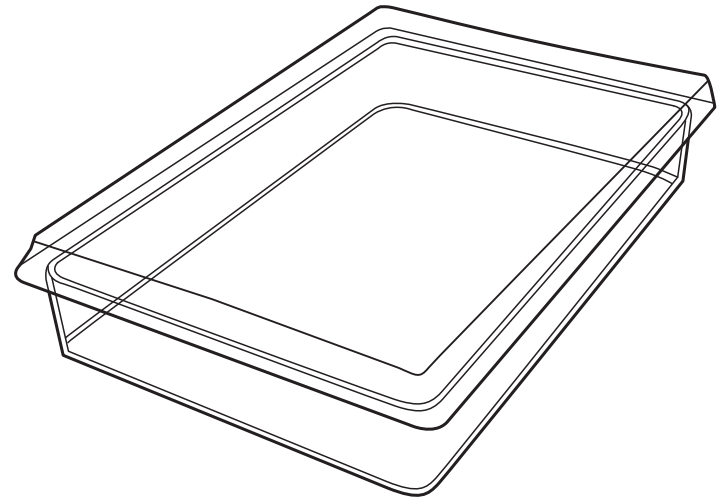
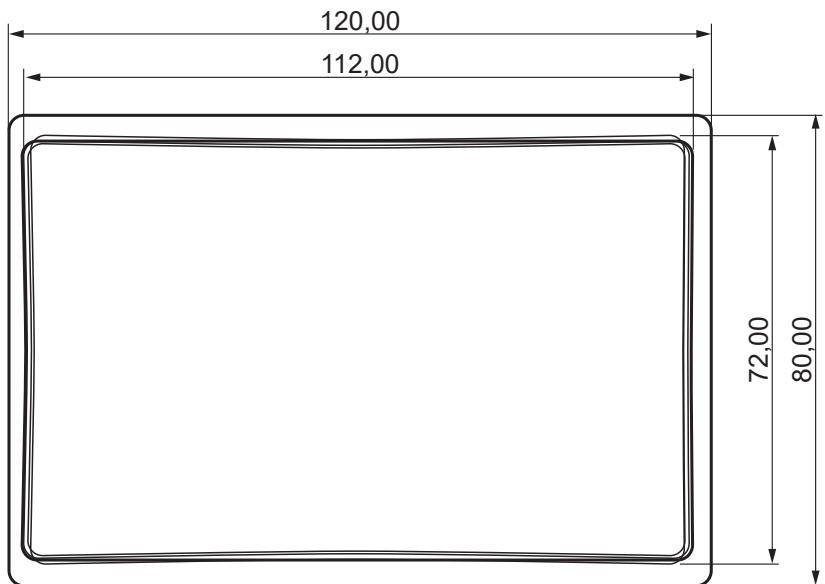
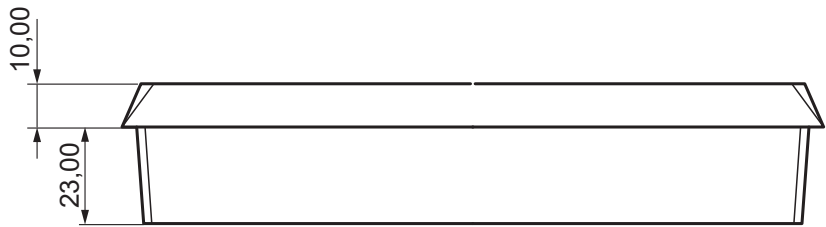
APPROVED
Daniamant

SCALE ~

SHT. 1
OF
SHT. 1

A
4

ISSUE	CHG. No.	DATE	APPD



REMOVE ALL BURRS AND SHARP EDGES.(UNLESS OTHERWISE STATED). DO NOT SCALE.

THIS DOCUMENT IS DANIAMANT COPYRIGHT AND CONTAINS PROPRIETARY OWNED INTELLECTUAL PROPERTY RIGHTS AND CONFIDENTIAL DATA. ALL RIGHTS ARE STRICTLY RESERVED.THE INFORMATION MUST NOT BE USED EXCEPT FOR THE AGREED PURPOSE.UNAUTHORIZED USE, REPRODUCTION, OR ISSUE TO ANY THIRD PARTY IS NOT PERMITTED WITHOUT THE PRIOR WRITTEN AUTHORITY OF DANIAMANT. THIS DOCUMENT IS TO BE RETURNED TO DANIAMANT WHEN THE AGREED PURPOSE IS FULFILLED.

THIS DOCUMENT IS UNCONTROLLED, UNLESS OTHERWISE STATED

ISSUE	CHG. No.	DATE	APPD

MATERIAL :

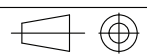
DIMENSIONS IN :- MM

TITLE
Keypad



FINISH :-

3RD. ANGLE PROJECTION
B.S. 8888



TOLERANCES DS/ISO 2768 - m

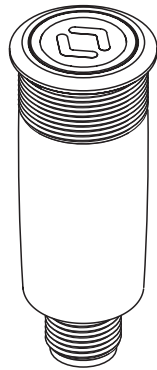
DRAWING No.
31435

SHT. 1
OF
SHT. 1

A
4

DRAWN
BO
APPROVED
Daniamant

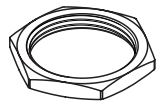
RELEASED
Daniamant
SCALE ~



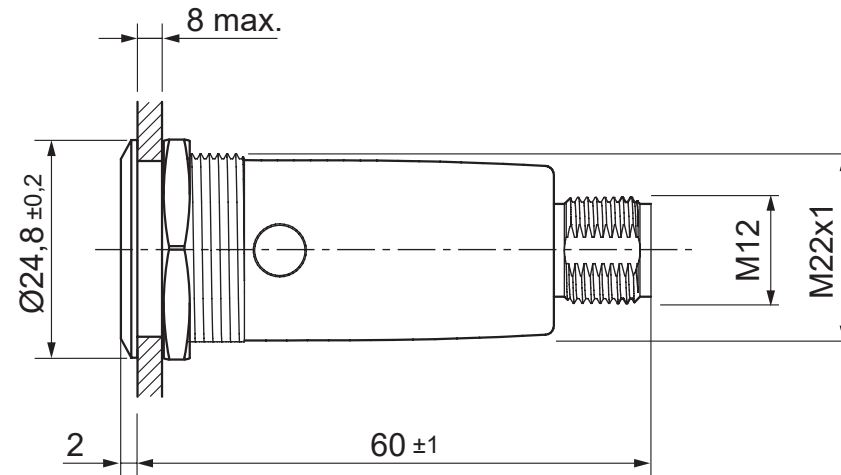
Actuator



Seal



Fixing nut



REMOVE ALL BURRS AND SHARP EDGES.(UNLESS OTHERWISE STATED). DO NOT SCALE.

THIS DOCUMENT IS DANIAMANT COPYRIGHT AND CONTAINS PROPRIETARY OWNED INTELLECTUAL PROPERTY RIGHTS AND CONFIDENTIAL DATA. ALL RIGHTS ARE STRICTLY RESERVED.THE INFORMATION MUST NOT BE USED EXCEPT FOR THE AGREED PURPOSE.UNAUTHORIZED USE, REPRODUCTION, OR ISSUE TO ANY THIRD PARTY IS NOT PERMITTED WITHOUT THE PRIOR WRITTEN AUTHORITY OF DANIAMANT. THIS DOCUMENT IS TO BE RETURNED TO DANIAMANT WHEN THE AGREED PURPOSE IS FULFILLED.

THIS DOCUMENT IS UNCONTROLLED, UNLESS OTHERWISE STATED

MATERIAL :

DIMENSIONS IN :- MM

TITLE
Pushbutton
with M12 connector, $\varnothing 22$ mm



FINISH :-

3RD. ANGLE PROJECTION
B.S. 8888

TOLERANCES DS/ISO 2768 - m



DRAWING No.

DRAWN
BO

RELEASED
Daniamant

APPROVED
Daniamant

SCALE ~

SHT. 1
OF
SHT. 1
A
4

ISSUE	CHG. No.	DATE	APPD