
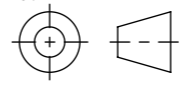


UNLESS OTHERWISE SPECIFIED: CHAMFER SHARP EDGES GENERAL TOLERANCE NEN ISO 2768-m FORM AND PLACE TOLERANCES NEN-ISO 1101 WELDING SYMBOL NEN EN 22553 ROUGHNESS ACC. to NEN3634				TOLERANCE PRINCIPLE ISO 8015		FINISH: -		DO NOT SCALE DRAWING		
				PROJECTION : THIRD ANGLE UNITS : mm		Material: Material <not specified>		SHEET FORMAT: A3		
						STATUS: Design		TITLE:		
DRAWN M.B.		SIGNATURE		DATE 27-3-2017		DRAWING: 1012P142164		ARTICLE NO. <b>NOT_REQUIRED</b>		REVISION
CHK'D						Weight: 10064.51 gram		SCALE:1:3.5		SHEET 1 OF 1
PRINTED				27-3-2017						