



www.beamcommunications.com

Fax: +61 3 9560 9055

Tel: +61 3 8588 4500

Support: support@beamcommunications.com

Information: info@beamcommunications.com

Web: www.beamcommunications.com

Victoria, 3170, AUSTRALIA

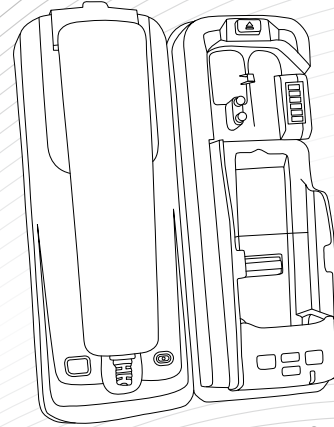
5/8 Anzed Court, Mulgrave

BEAM Communications



## IsatDock2 PRO

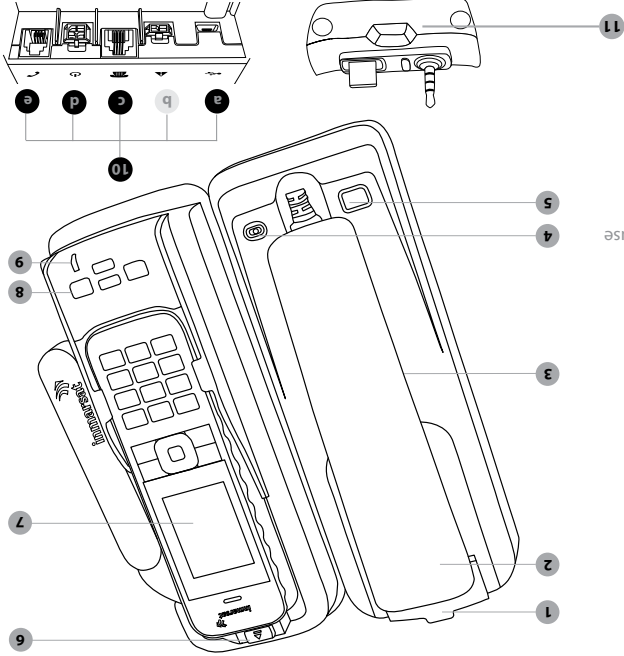
### Quick Start Guide



Suitable for the IsatPhone 2

IsatDock2 PRO Equipment Overview

1. Mounting Cup (spring or springless cup options)
2. Privacy Handset
3. Speaker (under handset)
4. Microphone
5. Speakerphone Button
6. IsatPhone 2 Eject Button
7. IsatPhone 2 (not included)
8. Function Buttons
9. Status Indication Light
10. Back Panel Connectors
  - a. USB Data Interface
  - b. BEAM Alert loop connection - not in use
  - c. RJ11/POTS Interface
  - d. DC power and accessory input
  - e. Rf9 Privacy handset
11. IsatDock2 Adapter



## 2. Specification Summary

Average Power Consumption Current @ 12V		Average	Watts
Power w/o IsatPhone 2		1.6W	130mA
Standby + Charging		4.3W	360mA
Transmit + Charging		10.5W	875mA
Sleep Mode		60mW	5mA
Peak Current		42W	3.5A
Physical Specifications		Metric	Imperial
Dimensions		245 x 197 x 100 (mm)	9.6 x 7.7 x 3.9 (inches)
Weight - dock		1.45kg	3.19lbs
Total Kit Weight		2.45g	5.39lbs
Environment Specifications			
Operating Range		-30°C to +70°C	-22°F to +158°F
Storage		-35°C to +85°C	-31°F to +185°F
Battery Charging Temp*		0°C to +45°C	+32°F to +113°F
Humidity		>= 75% RH	
Connectors / Interfaces			
RJ11/2-wire, SREN @ 600m, Adjustable dial, ring, busy tone configured frequency and adaptive impedance.		POTS/RJ11	
BEAM Antenna		TNC-Female	
GPS Antenna		SMA-Female	
10-32V DC		4-way microfit (AC/DC adapter, or DC lead)	
Privacy Handset Port		RJ9 connector	
Configuration/Data*		USB Micro	
Speakerphone		In-built speaker/microphone	

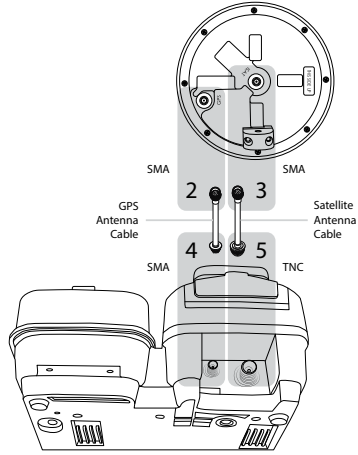
\* It is ideal for the ambient temperature to be approximately 18 degrees below the 45°C upper limit for the handset to charge the battery whilst docked.

PART #: USROS0008601

### 3. Antenna Connection

To connect the IsatDock2 PRO to the GPS/BEAM Antenna, requires the use of certified satellite and GPS antenna cables. These cables are purpose built cables as approved by BEAM to manage the power requirements for the antenna system.

1. Refer to the antennas installation guide for antenna mounting and location requirements.
2. Connect the antenna cable labelled "GPS" to the SMA antenna connector labelled "GPS".
3. Connect the antenna cable labelled "Inmarsat" to the SMA antenna connector labelled "SAT".
4. Connect the GPS-SMA (F) cable end to the IsatDock2's SMA connector.
5. Connect the TNC (F) antenna cable end to the IsatDock2's satellite connector.



#### WARNING

Changes or modifications not expressly approved by BEAM Communications could void the product warranty.

#### WARNING

To satisfy FCC RF exposure requirements for mobile transmitting devices, a separation distance of 55 cm or more should be maintained between the antenna of this device and persons during device operation. To ensure compliance, operations at closer than this distance is not recommended.



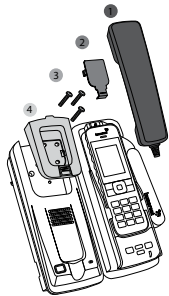
#### WARNING

DO NOT pull with force on the cables from the rear of the IsatDock2 PRO. Please install strain relief clamping for the antenna cables where required. Correct installation of the antenna system is a vital part of the IsatDock2 PRO system, to ensure reliable functionality, and drop-free calls.

### 4. Privacy Handset and Mounting Cup

There are two options for the privacy handset mounting cup depending upon the environment or condition where the docking unit is mounted.

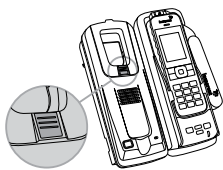
- (1) Springless cup for stationary use vertical or horizontal position.
- (2) Spring cup for rough conditions.



#### (1) Springless Cup for Normal light-use

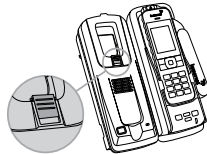
##### Desk mounted cradle position.

The 'springless' cup is fitted to the docking station with the mounting clip in a 'flush' position.



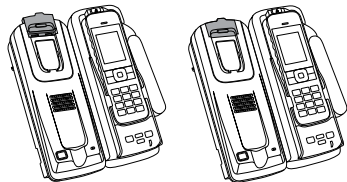
##### Wall mounted cradle position.

The mounting clip can be slid out and reversed, producing a protruding point that the Privacy handset rests upon. For a wall mounted docking station this retains the privacy handset and the springless cup has enough height to allow the handset to rise up off the clip and out of the mounting cup.



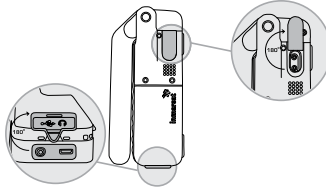
#### (2) Spring Cup - Heavy duty use cup

In harsh environments, the Privacy handset is actively retained in the mounting cup. This is achieved by using the 'spring' mounting cup. To remove the handset from the cup, the phone is lifted up against the pressure of the spring until it clears the lower mounting pip and can be removed from the docking station.

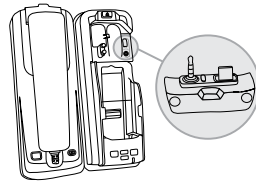


### 5. Docking and Un-docking your IsatPhone 2

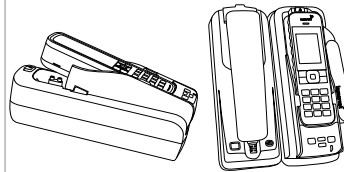
1. Lift the antenna 'cover' and rotate through 180 degrees, then push down into the open position.
2. The 'cover' in the base of the phone should be rotated 180 degrees to be in the open position



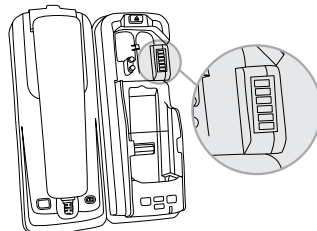
3. Detach the USB/Audio adapter from the dock and insert by hand in the base of the IsatPhone 2.



4. To dock the handset, open the antenna slightly, align the IsatPhone 2 with the phone tray and slide the handset down until it seats flush to the bottom of the tray. Swing the phone down into the cradle by applying pressure to the top of the handset. An audible 'click' is heard when the phone is in the docked position.

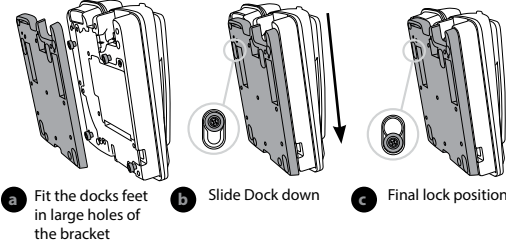


5. To remove the handset from the cradle, press the EJECT button at the top of the docking station. The dock will swing out and the handset can be removed.
6. Place the adapter back in its dedicated slot, when the phone is not in the docking unit.



### 6. Mounting Orientation

There are four keyhole shaped slots in the mounting bracket that mate with feet on the rear of the docking station. To attach the bracket, the larger end of the keyhole will pass over the feet. The dock is then slid down to lock the feet into the narrow section of the keyhole.



The IsatDock2 PRO can be mounted either flat on a desk or vertically to a wall. When wall mounting the docking station, the wall bracket is first screwed to the wall and the dock is slid into place. One security pin is then slid into place locking the dock to the wall.

The docking station can be elevated in the desk mounted orientation by two retractable feet included in the mounting bracket.

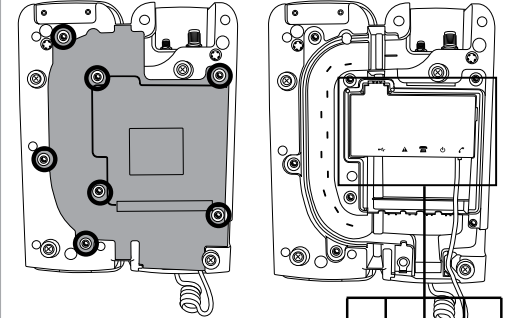


#### NOTE:

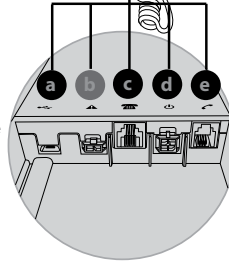
For extensive mounting instructions please refer to your IsatDock2 PRO Manual.

### 7. Access to rear connector bay

For the IsatDock2 PRO the external cable interfaces are at the rear of the docking station. The cover panel creates the IP rating for the electrical interface and retains the cables in their respective channels. The cover panel is fixed in place by 7 screws.



- a. USB Data Interface
- b. BEAM Alert loop connection - Not in use
- c. RJ11/POTS interface
- d. DC power and accessory input
- e. RJ9 Privacy handset



### 9. IsatDock2 PRO Front Panel

Location	Button Mode	Action	LED/Sound
	Singie press (1 second)	Send a Personal Alert message to IsatPhone 2's pre-configured destination.*	A beep will sound to indicate that a Personal Alert button was pressed. #
	OR UP/DOWN	<b>In a Call:</b> Increase/decrease volume on the internal hardware or privacy handset. <b>Out of Call:</b> Increase/decrease volume of incoming ring tone on the internal hardware speaker.	Audio will sound louder/quieter in privacy handset with each press. A beep will sound indicating the increased/decreased ring tone volume .
	Mute (1 second)	<b>In a Call:</b> Mute the microphone (uplink) on the privacy handset	LED turns RED - Muted LED turns OFF - Not muted LED flashing Yellow - RJ11/POTS in use
	Brightness dual button simultaneous press (1 second)	<b>Out of Call:</b> Enter LED brightness change mode. Press UP and DOWN arrows to vary intensity. Mode will automatically exit after 5 seconds after the last button press.	All LED's will change to WHITE and a double beep will sound when entering brightness change mode. A short single beep will sound when exiting change mode.
	Speakerphone press ON/OFF	<b>In a Call:</b> Terminate call if speakerphone mode is active Activate speakerphone mode if Privacy Handset mode is active. <b>Out of Call:</b> Answer inbound call in speakerphone mode	LED turns GREEN - Speakerphone mode active LED turns OFF - Speakerphone mode not active

\* This action is optional, only when the Personal Alert Mode for your IsatPhone 2 is configured.

# A beep will only sound if audible alerts are enabled in the Falcon.