



M6: Luxe.

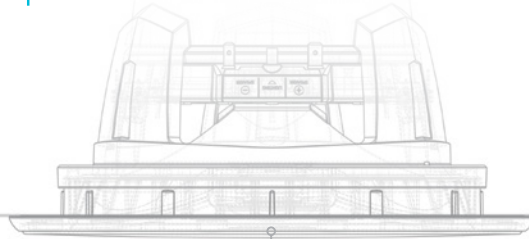
Marine Grade, Architectural Flair



JL AUDIO® | How we play.®



M6 Marine Speakers & Subwoofers with Luxe Grille



Minimal protrusion
into cabin space

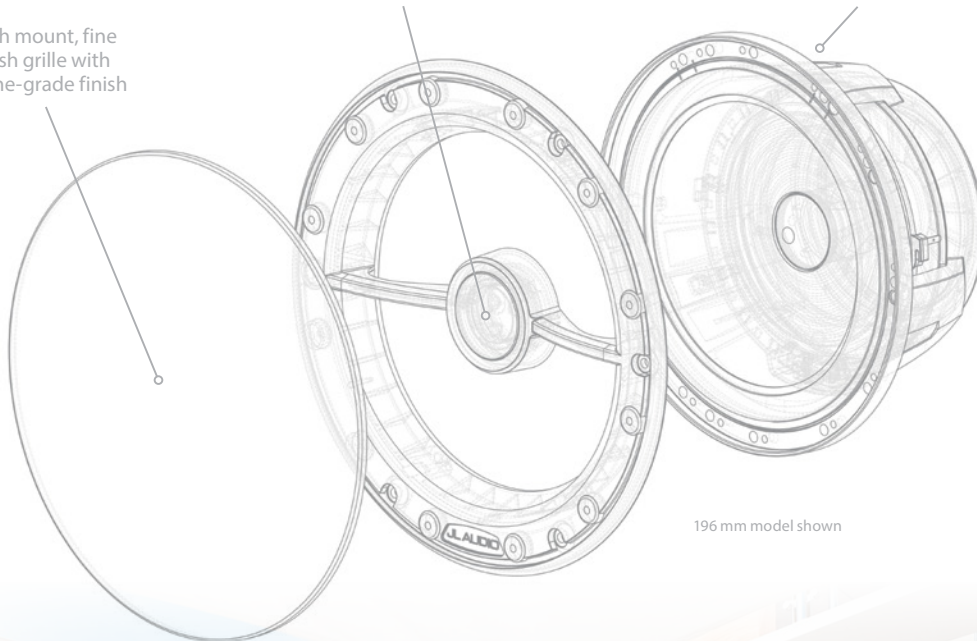
Coaxial models
available with 165, 196
or 224 mm speakers

Subwoofer models
available with 224 or
254 mm subwoofers

Low-profile mounting bezel with
integrated bridge for the treated,
silk-dome tweeter

JL Audio® M6
Marine Speaker Core

Flush mount, fine
mesh grille with
marine-grade finish



196 mm model shown

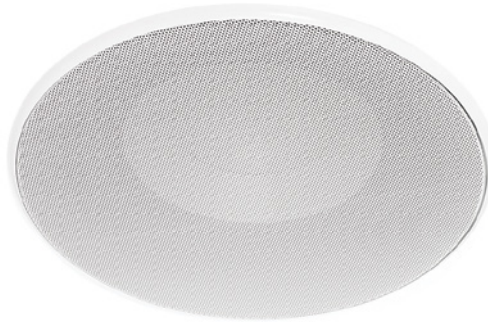




Unmatched Sound, Refined Looks



M6-770X-L-GwGw
Coaxial Loudspeaker



M6-101B-L-GwGw-4
Subwoofer

Great Audio for the Finest Vessels

- Top-flight audio performance and durability in luxury marine installations.
- Low-profile, fine mesh grille for a discreet visual presentation.
- Designed to benefit from operation with quality amplification, such as the JL Audio marine amplifiers.

Engineered for Real Marine Duty

- To ensure long-term performance, all models are designed and built to exceed industry standards for salt-fog and UV exposure. These are true saltwater-rated products.

Our Best Marine Loudspeaker Technology

- Coaxial models feature a long-excursion, DMA-optimized woofer and size-specific silk dome tweeter for impressive bass response and superior high-frequency detail.
- Each model is outfitted with a unique, multi-order, true 2-way crossover, housed within the woofer's chassis, guarded from the elements.
- Each crossover network employs an electronic tweeter protection circuit to minimize the possibility of tweeter failure.

Reference Marine Subwoofer Performance

- Subwoofer models include a long excursion woofer design, with highly optimized motor and suspension systems for outstanding sound and output.
- Able to generate smooth, powerful bass, while blending in with the finest vessel designs.
- Intended for infinite-baffle applications (no enclosure needed).



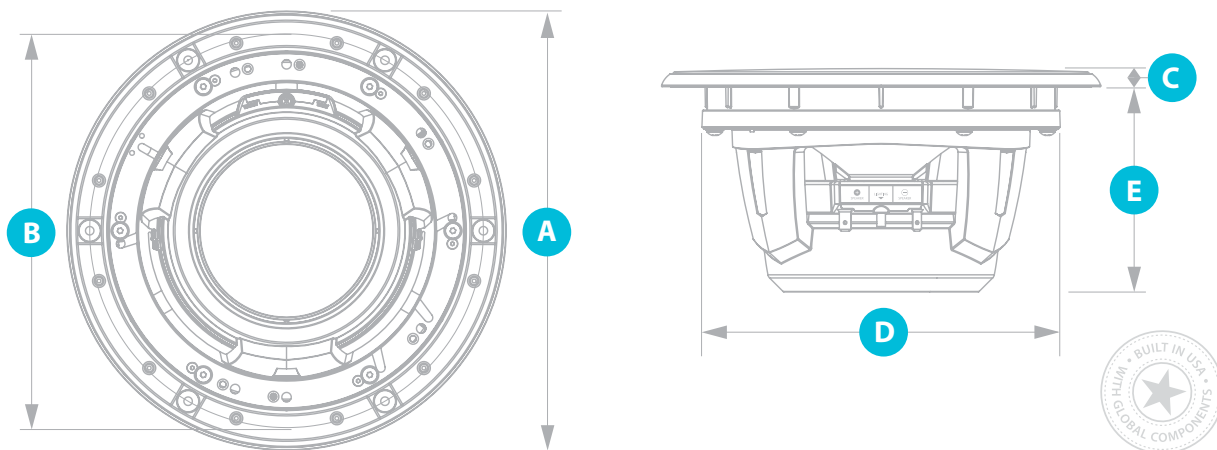
M6-650X-L-GwGw
Coaxial Loudspeaker



M6-770X-L-GwGw
Coaxial Loudspeaker



M6-101B-L-GwGw-4
Subwoofer

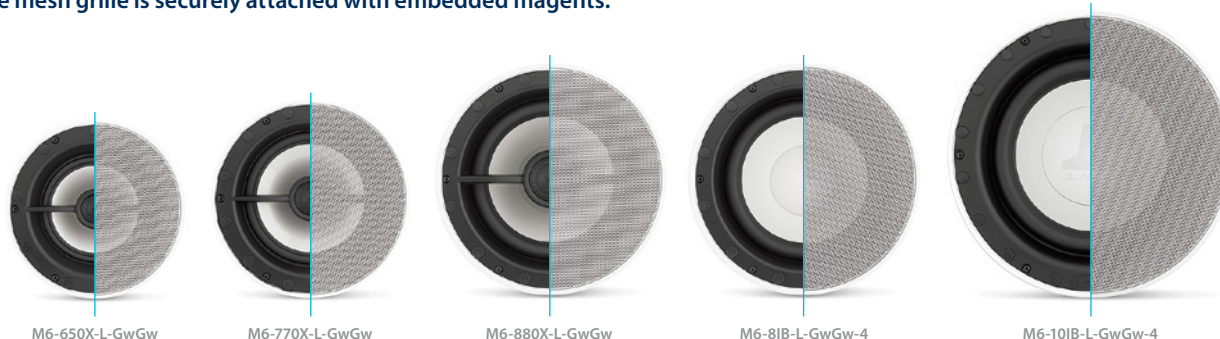


Physical Specifications	M6-650X-L-GwGw	M6-770X-L-GwGw	M6-880X-L-GwGw	M6-81B-L-GwGw-4	M6-101B-L-GwGw-4
Nominal Diameter	6.50 in. / 165 mm	7.70 in. / 196 mm	8.80 in. / 224 mm	8.0 in. / 224 mm	10 in. / 254 mm
Outer Diameter (A)	8.34 in. / 212 mm	9.13 in. / 232 mm	10.25 in. / 260 mm	10.25 in. / 260 mm	12.54 in. / 319 mm
Bolt Hole Circle (B)	7.39 in. / 188 mm	8.18 in. / 208 mm	9.27 in. / 235 mm	9.27 in. / 235 mm	11.46 in. / 291 mm
Frontal Grille Protrusion (C)	0.37 in. / 9 mm	0.38 in. / 10 mm	0.48 in. / 12 mm	0.48 in. / 12 mm	0.50 in. / 13 mm
Mounting Hole Diameter (D)	6.75 in. / 172 mm	7.50 in. / 191 mm	8.625 in. / 219 mm	8.625 in. / 219 mm	10.51 in. / 267 mm
Mounting Depth (E)	3.87 in. / 98 mm	4.26 in. / 108 mm	6.30 in. / 160 mm	6.30 in. / 160 mm	6.98 in. / 177 mm
Tweeter Size	0.80 in / 20 mm	1.0 in / 25 mm	1.25 in / 32 mm	N/A	N/A

* Frontal grille protrusion measured from mounting surface.

Specifications	M6-650X-L-GwGw	M6-770X-L-GwGw	M6-880X-L-GwGw	M6-81B-L-GwGw-4	M6-101B-L-GwGw-4
Mounting Application	Infinite Baffle	Infinite Baffle	Infinite Baffle	Infinite Baffle	Infinite Baffle
Continuous Power Handling (RMS Method)*	75 Watts / channel	100 Watts / channel	125 Watts / channel	200 Watts	250 Watts
Recommended Amplifier Power	25 - 150 Watts / channel	40 - 200 Watts / channel	50 - 250 Watts / channel	50 - 200 Watts	75 - 250 Watts
Frequency Response	55 Hz - 25 KHz (± 3 dB)	45 Hz - 25 KHz (± 3 dB)	38 Hz - 20 KHz (± 3 dB)	N/A	N/A
Efficiency @ 1W/1m	89.5 dB	91.0 dB	90.5 dB	86.8 dB	86.1 dB
One-Way, Linear Excursion (Xmax)	N/A	N/A	N/A	0.53 in / 14 mm	0.52 in / 13.2 mm
Nominal Impedance	4 ohms	4 ohms	4 ohms	4 ohms	4 ohms
Recommended Sealed Enclosure	N/A	N/A	N/A	2.00 cu ft / 56.6 liters	2.00 cu ft / 56.6 liters
Recommended Ported Enclosure	N/A	N/A	N/A	1.50 cu ft / 42.5 liters	2.50 cu ft / 70.8 liters

Fine mesh grille is securely attached with embedded magnets.



* Recommended RMS Amplifier Power for Full-Range Speakers: This is the RMS amplifier power recommended by JL Audio for each speaker system (per channel). A properly set, good quality amplifier in this power range will produce clean, dynamic audio without undue risk of failure when listening to music. Failure to set the amplifier's input sensitivity correctly will compromise reliability. Use of less than the recommended power range will not damage the speakers, but may result in unsatisfactory performance. Use of more power than recommended will compromise reliability with aggressive use and will void the warranty.
Recommended RMS Amplifier Power for Subwoofer Drivers: This is the RMS amplifier power recommended by JL Audio for each driver. Choosing a good quality amplifier in this power range will make use of the woofer's low-distortion performance envelope, without undue risk of failure. Use of less than the recommended power range may not damage the woofer, but may result in unsatisfactory performance. Caution must be exercised when using amplifiers that approach or meet the maximum recommended power. Use of an amplifier that exceeds the driver's "Continuous Power Handling (Pit)" specification voids the warranty.