

The Veratron logo consists of the word "veratron" in a lowercase, sans-serif font, followed by a stylized white 'V' symbol that resembles a downward-pointing chevron or a triangle with a small gap at the top.

veratron 

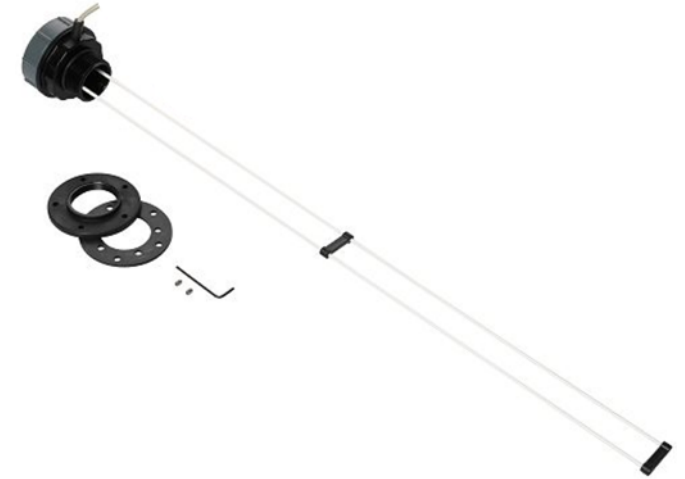
The background of the slide is a close-up, black and white photograph of a circular gauge. The gauge has a scale with markings for 60, 90, and 120. A needle is visible, pointing towards the 120 mark. The image is slightly blurred, creating a sense of depth and focus on the text.

NMEA 2000® LIQUID LEVEL SENSORS

Product Presentation

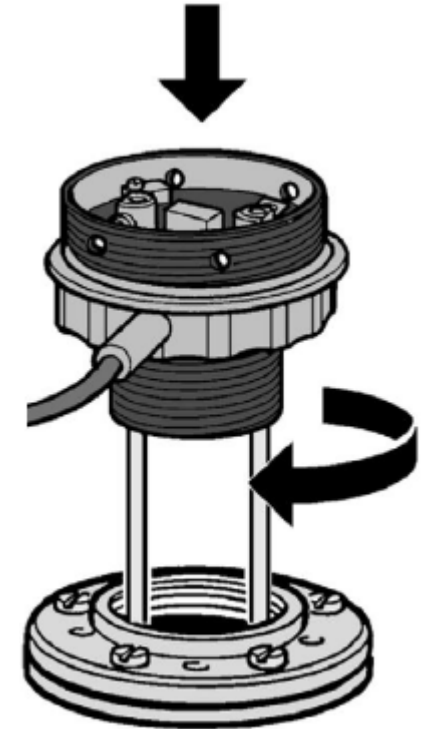
GENERAL FEATURES

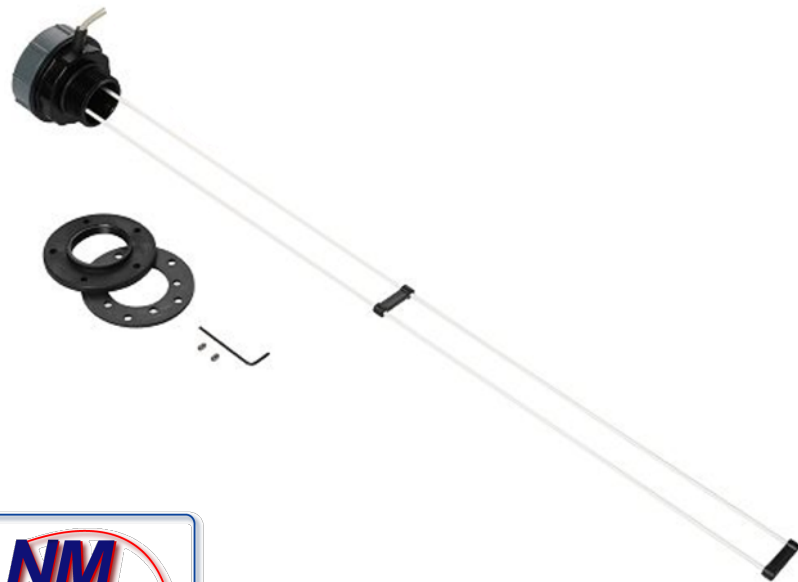
- ▼ **NMEA 2000® certified Capacitive Water Level Sensor**
- ▼ **Selectable Fresh or Waste water via embedded dip switches**
- ▼ **CERTIFIED FOR DRINKING WATER**
- ▼ **Simple mounting/unmounting concept to simplify cleaning operations**
- ▼ **Directly powered by NMEA 2000 network (12V nominal voltage), no external power supply required**
- ▼ **UL94, CE, Reach and RoHS compliant**



GENERAL FEATURES

- ▼ **Continuous measurement along the whole depth**, no reading “steps” (like e.g. reed switches)
- ▼ **Freely adjustable in length**, it can serve a big range of tank depths from 200 to 1500mm
- ▼ **Fits 42mm tank hole diameters**
- ▼ **Sealing kit N05-016-930 with rubber gasket, mounting bracket and screws (with Allen wrench) provided**
- ▼ **IPX9K acc. IEC60529 “Exposed Device”**
- ▼ **Micro-C M12 5-pin NMEA 2000® connector**





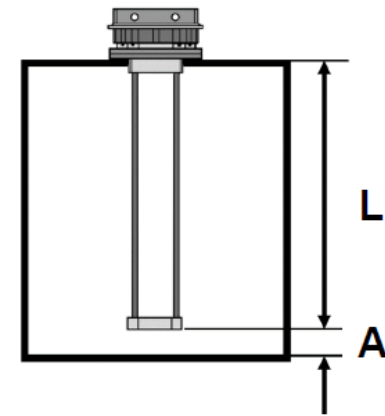
Length 200-600mm
B00041201

Length 600-1200mm
B00041401

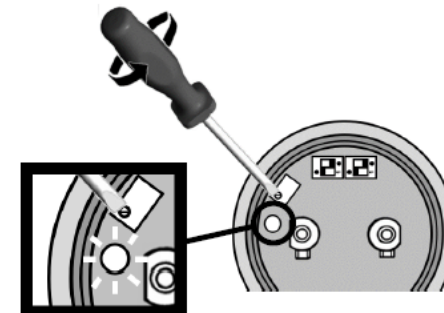
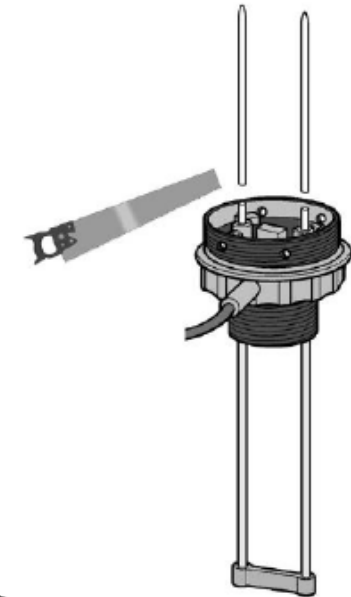
Length 1200-1500mm
B00041501

ADJUSTMENT / CALIBRATION

- ▼ The sensor length can be adjusted at any point within the 600 – 1500mm range
- ▼ Easy recalibration process (with full tank) through potentiometer and LED blinking pattern
- ▼ NMEA 2000® settings are performed with the embedded dip switches' combination:
 - ▼ Fresh Water / Waste Water
 - ▼ Tank number 1-4



A → Min. 10mm
Max. 15mm





**OUTDOOR INSTRUMENTATION
ENGINEERED IN SWITZERLAND**

veratron.com