

NOAA



Boat accessories and frames for winter storage

Boat dollies for exhibitions and storage

Lagun Cockpit table frame

 **PIVOTION** RailGrip



Product guide



Radar- and wind generator mounts

NOA is Scandinavia's leading manufacturer of radar mounts. The mounts fit all sailing boats and are available in two different pole diameters, 50 mm or 80 mm. Standard length is 2100 mm. Other lengths can be manufactured on request.



10620



10621



10838



10863



10633

Item number Radar- and wind generator mounts

- 10620 Radar mount 50 mm x 2100 mm, strut 1500 mm, adjustable top plate
- 10621 Radar mount 80 mm x 2100 mm, strut 1500 mm, NOA fitting 80 mm for push-pit (10838), adjustable top plate
- 10624 Wind generator mount 50 mm x 3000 mm, strut 1500 mm, NOA fitting 50 mm for push-pit (10858)

Accessories and spare parts

- 10633 Adjustable base for 25 mm strut
- 10838 NOA fitting, 80 mm - incl NOA fitting 25 mm
- 10858 NOA fitting, 50 mm - incl NOA fitting 25 mm
- 10863 NOA fitting 80 mm to radar mount 80 mm for solar panel mount 10606





10604



10606



10609



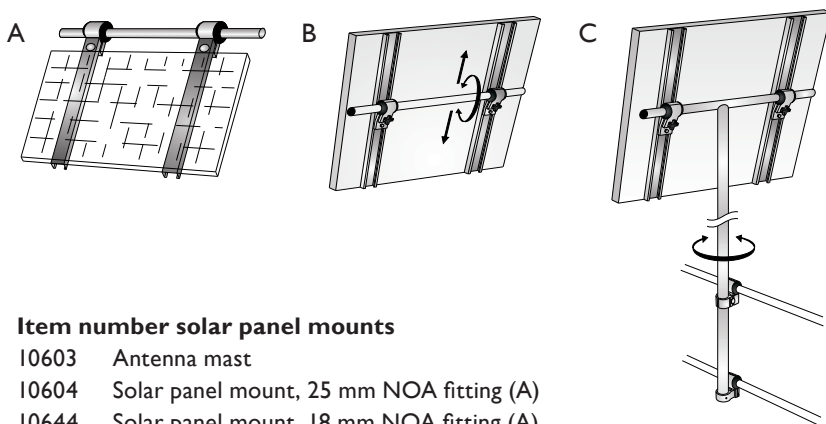
10608



10639

Solar panel mounts

- A Solar panel mount which is securely fastened in the push-pit with NOA fittings. Stay extrusion 650 mm.
- B Adjustable solar panel mount. Fastened with NOA stay-fittings. Stay extrusion 650 mm.
- C Turning solar panel mount which rotates horizontally as well as vertically. Stay extrusion 650 mm

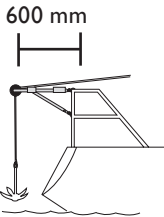


Item number solar panel mounts

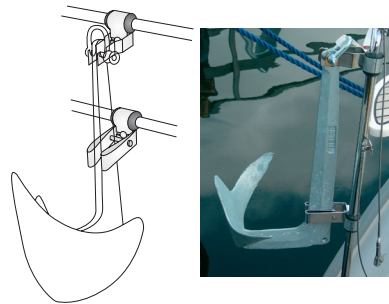
- 10603 Antenna mast
- 10604 Solar panel mount, 25 mm NOA fitting (A)
- 10644 Solar panel mount, 18 mm NOA fitting (A)
- 10645 Solar panel mount, 22 mm NOA fitting (A)
- 10653 Solar panel mount, 30 mm NOA fitting (A)
- 10654 Solar panel mount, 32 mm NOA fitting (A)
- 10655 Solar panel mount, 38 mm NOA fitting (A)
- 10606 Adjustable solar panel mount, 25 mm NOA fitting (B)
- 10656 Adjustable solar panel mount, 30 mm NOA fitting (B)
- 10657 Adjustable solar panel mount, 32 mm NOA fitting (B)
- 10658 Adjustable solar panel mount, 38 mm NOA fitting (B)
- 10659 Adjustable solar panel mount, 18 mm NOA fitting (B)
- 10608 Turning solar panel mount, 600 x 1800 mm, stay extrusion 650 mm, vertical tube 30 mm (C)
- 10609 Turning solar panel mount, 600 x 1800 mm, stay extrusion 650 mm, vertical tube 40 mm, adjustable base (C)
- 10639 Turning solar panel mount, 600 x 1800 mm, stay extrusion 650 mm, vertical tube 50 mm, adjustable base, 2 x 1500 mm struts (C)



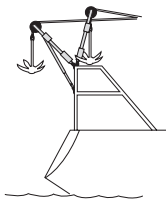
- 10602 Anchor davit
Includes NOA fitting
600 x 147 x 75 mm
- 10702 Support leg anchor davit
Spare part, incl NOA fitting



The anchor is kept away from the hull



- 10605 Anchor holder
Includes NOA fitting



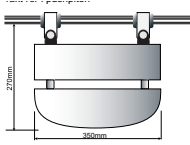
Lifts the anchor over the push-pit



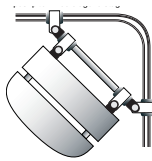
The anchor davit runs both ways



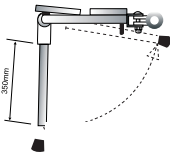
- 10617 Chain container
550 x 80 mm
Includes NOA fitting



On a straight tube



In a corner with diagonal stay

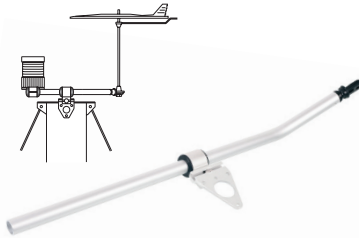


The leg cuts in suitable length



Diagonal stay

- 10618 Folding seat, 350 x 270 mm
Includes NOA fittings
- 10636 Diagonal stay
Includes NOA fitting



10601 Mast top fitting
Includes NOA fitting



- 10619 Outboard mounting plate. For 25 mm tube
200 x 47 x 90 mm
- 10650 Outboard mounting plate. For 30 mm tube
200 x 53 x 109 mm
- 10651 Outboard mounting plate. For 32 mm tube
200 x 53 x 109 mm
- 10652 Outboard mounting plate. For 38 mm tube
200 x 53 x 109 mm
- 10663 Outboard mounting plate. For 18 mm tube
200 x 47x 90 mm



10822 Outboard mount teak
195 x 120 x 18 mm
Excluding NOA fitting



- 10803 NOA fitting 25 mm
- 10806 NOA fitting 22 mm
- 10843 NOA fitting 18 mm
- 10846 NOA fitting 30 mm
- 10847 NOA fitting 32 mm
- 10848 NOA fitting 38 mm



- 10813 NOA stay fitting 25 mm
- 10839 NOA stay fitting 18 mm
- 10854 NOA stay fitting 30 mm
- 10855 NOA stay fitting 32 mm
- 10856 NOA stay fitting 38 mm



- 10809 NOA double fitting 25 mm
- 10859 NOA double fitting 18 mm
- 10860 NOA double fitting 30 mm
- 10861 NOA double fitting 32 mm
- 10862 NOA double fitting 38 mm



- 10814 NOA cross fitting 25 mm
- 10815 NOA cross fitting 30 mm
(30 mm without sleeve)
- 10845 NOA cross fitting 40 mm



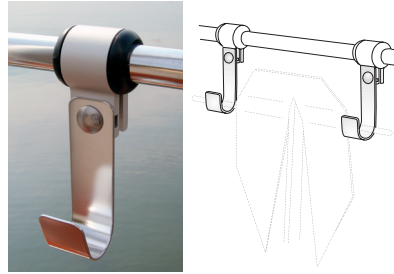
- 10819 NOA fitting 25 mm
Hinge, for anchor davit



- 10818 NOA fitting 25 mm
Round corners



10820 Life-buoy holder
Excluding NOA fitting



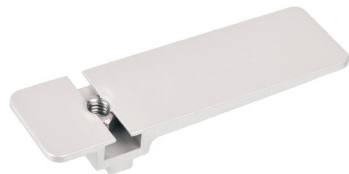
10821 Anchor hook
110 x 35 x 45 mm
Excluding NOA fitting



10625 Davit
1550 x 65 mm,
arm 600 x 35 mm
Includes NOA fittings
Rope and block not included
Lift capacity 20 kg



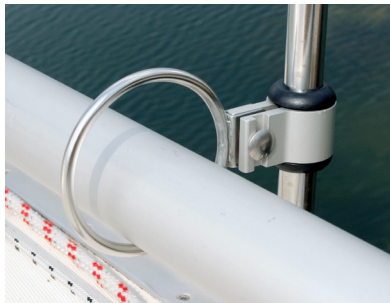
10824 Antenna plate large
90 x 115 mm
Excluding NOA fitting



10825 Antenna plate small
34 x 115 mm
Excluding NOA fitting



10827 Boom eye, 85 x 51 mm
Excluding NOA fitting



10832 Boom holder, dia 100 mm
Excluding NOA fitting



10826 Flagpole holder
Excluding NOA fitting



10829 L-shape holder
For vertical mountings



10830 U-holder
For vertical mountings





10831 Hook, 95 x 50 mm
Excluding NOA fitting



10837 NOA fitting 80 mm for pulpit
10838 NOA fitting 80 mm for pulpit
incl. 2 x NOA fitting 25 mm



10835 NOA fitting 50 mm



10857 NOA fitting 50 mm for pulpit
10858 NOA fitting 50 mm for pulpit
incl. 2 x NOA fitting 25 mm



10836 NOA fitting 80 mm



10863 NOA fitting 80 mm
to radar mount for solar
panel mount



- 11510 Plastic sleeve 25 mm
- 11511 Plastic sleeve 22 mm
- 11512 Plastic sleeve 28 mm
- 11513 Plastic sleeve 30 mm
- 11514 Plastic sleeve 32 mm
- 11515 Plastic sleeve 38 mm
- 11516 Plastic sleeve 18 mm



- 11705 Knob w. bult M8 x 30, for adjustable solar panel mount



- 11709 Knob with nut M8, for turning solar panel mount

Lagun Cockpit table frame

It is the perfect solution for mounting tables in the cockpit, both for manufacturers as well as for boating enthusiasts. The cockpit table frame is brilliant, it gives you a great freedom of movement. It is perfect to set up after a day of sailing and have a few drinks with your favorite mates!

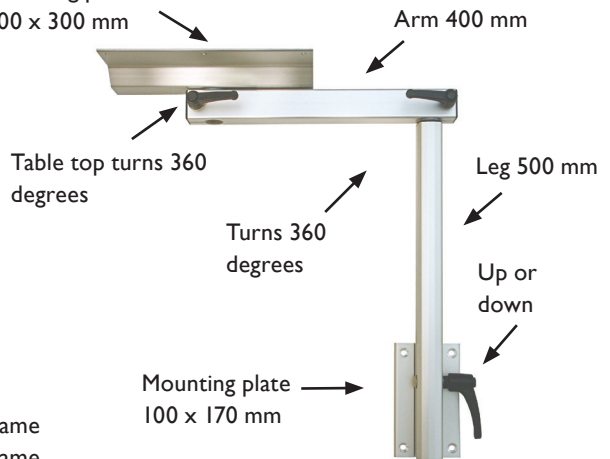
The frame is made of anodized aluminium. Bolts, nuts and screws are made of stainless steel, grade A4.



The mounting plate is easy to fit in the cockpit. An extra mounting plate allows you to use your table in other places, for instance in the cabin. It is easy to stow away the table when not in use.



Mounting plate under table
200 x 300 mm



Item number Lagun

- 30605 Lagun cockpit table frame
- 30750 Lagun cockpit table frame
Leg 750 mm

Accessories Lagun

- 30607 Extra mounting plate

Lagun



Laminate

- 30600 Rimini 850 x 540 mm
- 30601 Rimini 700 x 420 mm
- 32005 Rimini 850 x 540 mm incl. cockpit table frame
- 32105 Rimini 700 x 420 mm incl. cockpit table frame



- 30651 Pepe, child seat
For children up to 20 kg



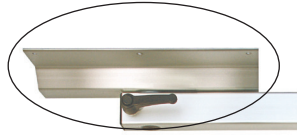
- 30608 Rimini white laminate
850 x 540 mm
- 30609 Rimini white laminate
700 x 420 mm



- 30619 Lomas, mounting plate
120 x 230 x 15 mm



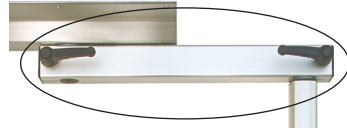
30507 MPT cross fitting
For rail mount



30804 Mounting plate under table



30631 Cover L, 900 x 600 mm
30632 Cover M, 850 x 540 mm
30633 Cover S, 700 x 420 mm



30805 Arm



30806 Leg



30800 Wedge



30802 Lever



30807 End plug (for Lagun arm)



30803 Plastic sleeve, 2-pack



30808 Tap (for Lagun leg)

Pivotion RailGrip™

With a simple twist-lock Pivotion RailGrip™ is fixed in a second to pulpit or push pit rails, stanchions, handrails and other similar tubing's that you can find on most leisure boats. For horizontal or vertical mounting. Thanks to its unique and Patented construction RailGrip™ is just as easy to mount as to remove, and can be brought along instantly as you move around in the boat.

RailGrip has a wide range of accessories for different functions on board. Discover the advantages with Pivotions many holders for thermoses, bottles, cans, mobile-phones, sun glasses, fishing lures, or the new and design protected Triple Hook™ where you can hang ropes, nets, cushions, life jackets, towels or bags.



- 40801 Pivotion RailGrip, white/blue
- 40802 Pivotion RailGrip, grey/grey
- 40803 Pivotion RailGrip, black





FlexKnob, fitting with elastic strap to fit on all profiles up to 100 mm diameter.

40813 FlexKnob



HullKnob for permanent fitting, 20 mm diameter.

40811 HullKnob, white

40812 HullKnob, black



RailHolder 70, a holder for bottles, cans and mugs with a diameter of maximum 70 mm. Manufactured in UV-resistant plastic. Available in 4 colours.

40821 RailHolder 70, white

40822 RailHolder 70, light gray

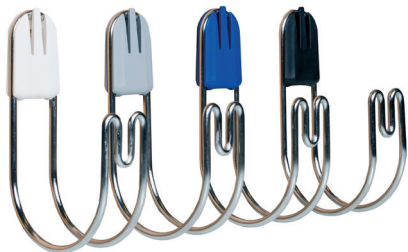
40823 RailHolder 70, blue

40824 RailHolder 70, black



RailHook 50, 3 hangers in one!
 Manufactured in stainless steel 316AISI.
 Available in 4 colours. 50 x 100 mm.

- 40841 RailHook 50, white
- 40842 RailHook 50, light gray
- 40843 RailHook 50, blue
- 40844 RailHook 50, black



RailHook 85, 3 hangers in one! Manufactured in stainless steel 316AISI.
 Available in 4 colours. 85 x 140 mm.

RailHolder 90, a holder for bottles with a diameter of maximum 90 mm. Manufactured in stainless steel 316AISI.
 Available in 4 colours.

- 40844 RailHook 85, white
- 40845 RailHook 85, light gray
- 40846 RailHook 85, blue
- 40847 RailHook 85, black

- 40825 RailHolder 90, white
- 40826 RailHolder 90, light gray
- 40827 RailHolder 90, blue
- 40828 RailHolder 90, black



RailOrganizer, storage for your phone, fishing lures or sunglasses. Manufactured in UV-resistant plastic. Available in 4 colours. 105 x 110 x 39 mm

- 40831 RailOrganizer, white
- 40832 RailOrganizer, light gray
- 40833 RailOrganizer, blue
- 40834 RailOrganizer, black



Pivoton multibag is the perfect allround bag to place where and when you need it. Place it anywhere on your boat, stroller or bike.

It is designed with a variety of pockets and equipped with a handle and a removable shoulder strap. There are two fittings on the back for fast mounting on Pivoton RailGrip or Pivoton HullKnob.

The size of the bag is 310 x 230 mm.

40852 Pivoton Multibag



- 40871 Pivoton Kit, 2 x 40802, 1 x 40822, 1 x 40832
- 40872 Pivoton Kit 2 x 40801, 1 x 40821, 1 x 40831
- 40873 Pivoton Kit 2 x 40803, 1 x 40824, 1 x 40834



Maintain the value of your boat with NOA's frame system

Once summer has passed it is time to take care of your boat. Even though this may not be the highlight of the boating season, it may very well be the most important. A lot can be gained by taking the time to avoid mistakes. At NOA we have more than 25 years of experience of winter storage. We know what is required in order to care for your boat when it is not in use. We have developed a modular system so that the frame is tailor made to provide the best possible storage.

NOA is Scandinavia's leading producer of frames. All frames are made of aluminium and stainless steel (A4) which ensures a durable and long lasting product. NOA's unique fittings guarantee an easy and quick assembly of the frame. The frame has no sharp edges that can scratch the gel coat, harm the pulpit or ruin the tarpaulin.

There is a NOA solution for almost all pleasure crafts due to our assortment of frames. If you decide to change boat, we will of course help you to adjust your NOA frame so that it fits your new boat.



Winter storage

Six hints and guidelines

1. Storage location

Regardless whether you place your boat on stands, in a cradle or on a trailer, choose a place which is level and protected from the wind. Also make sure that this is not an area where water gathers, nor that it is an area with a lot of vegetation which attracts mice and other vermin.

2. Stands and cradles

If you are keeping your boat at a marina, check what rules apply regarding stands and cradles. Make sure that there is no or little weight on the stanchions. Consult the manual from the manufacturer of the stanchions for the best possible result.

3. Frame

Choose a frame which is light but of highest quality which will not harm neither boat nor tarpaulin, preferably a NOA covering frame. Make sure you buy a frame that suits your needs. If, for example, you are going to refurbish your boat, we suggest you take a closer look at our boat houses.

4. Tarpaulin

Choose a good quality tarpaulin which can withstand the elements such as snow, ice, sun and strong winds. Moisture will always rise from the ground and stick to the inside of the tarpaulin. It is therefore important to have good ventilation, both in the fore and aft.

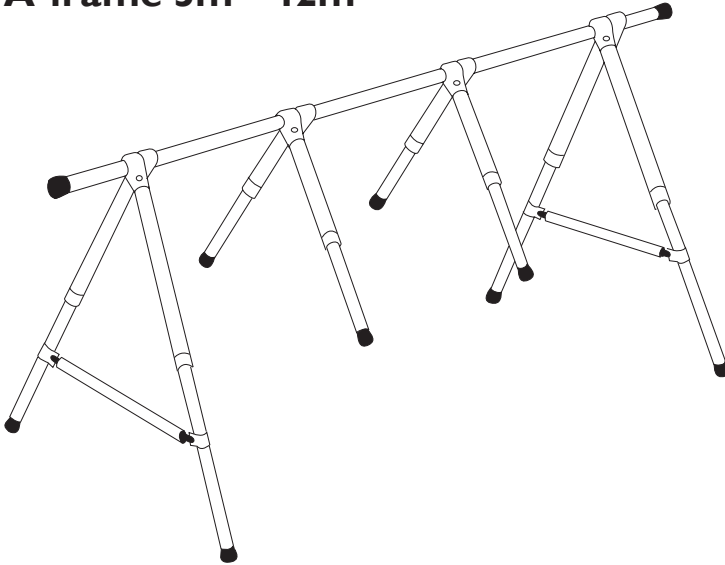
5. Check the tarpaulin

After everything is in place, make sure that there are no holes or ruptures in the tarpaulin where water can leak through. Make sure that there is enough ventilation.

6. Visit

Always visit your boat after storms and severe rains. Your frame may be intact but somebody else's might have harmed yours.

A-frame 5m – 12m



The advantage of the A-frame is that the A-legs take the load of the wind pressure against the boat as the legs stand directly on the ground. The A-legs lift the tarpaulin so that air enters both fore and aft which ensures excellent ventilation. The deck-legs are placed against the edge of the gunwale, the cabin roof or alternatively in the cockpit to ensure outstanding stability. Both the A-legs as well as the deck-legs are telescopic.

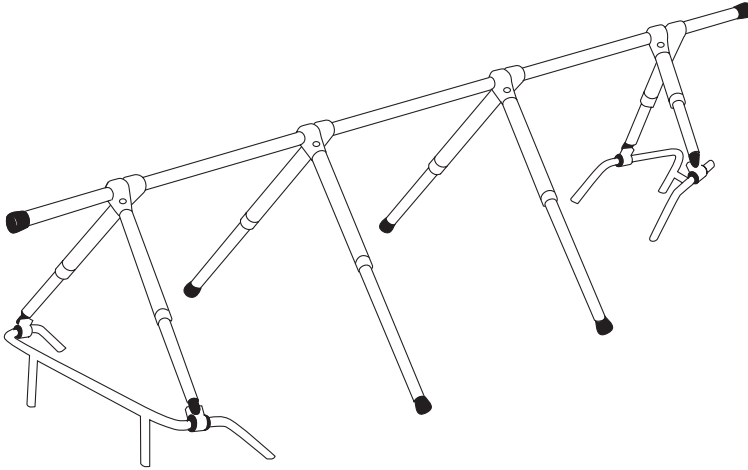
The A-frame is suitable for sail boats and motor boats without pulpits and pushpit. The A-frame is available in eight different lengths.

Item number A-frame

10205	A-frame 5 meter
10206	A-frame 6 meter
10207	A-frame 7 meter
10208	A-frame 8 meter
10209	A-frame 9 meter
10210	A-frame 10 meter
10211	A-frame 11 meter
10212	A-frame 12 meter



Deck frame 7m - 16m



The deck-frame is suitable for all sail boats and motor boats with a pulpit and pushpit. The frame sits securely on the boat with the aid of NOA fittings. The deck legs are placed against the edge of the gunwale, the cabin roof or alternatively in the cockpit to ensure outstanding stability. The deck frame is available in 10 different lengths.

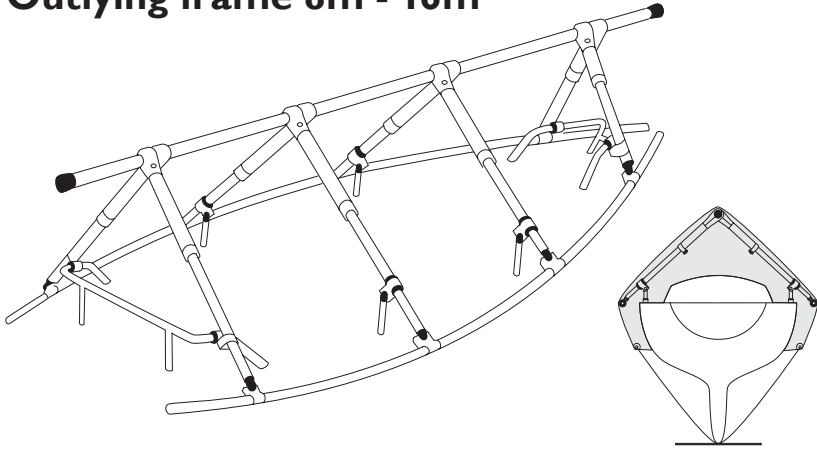
A deck frame can be converted to an outlaying frame, see page 29.

Item number Deck frame

I0107	Deck frame 7 meter
I0108	Deck frame 8 meter
I0109	Deck frame 9 meter
I0110	Deck frame 10 meter
I0111	Deck frame 11 meter
I0112	Deck frame 12 meter
I0113	Deck frame 13 meter
I0114	Deck frame 14 meter
I0115	Deck frame 15 meter
I0116	Deck frame 16 meter



Outlying frame 8m - 16m



The outlying frame is perfectly suited for sailboats with pushpit, pulpit and guard rail. As the frame keeps the tarpaulin out from the sides of the hull, the outlying frame provides especially good ventilation and prevents the tarpaulin from rubbing against the hull. The frame is adjustable in two directions; in height by means of telescopic legs and in distance from the boat by means of the fastening legs fitted to the stanchion base.

Please note: some boats are equipped with a stanchion peg instead of a traditional stanchion base. Be sure to specify this when ordering your outlying frame.

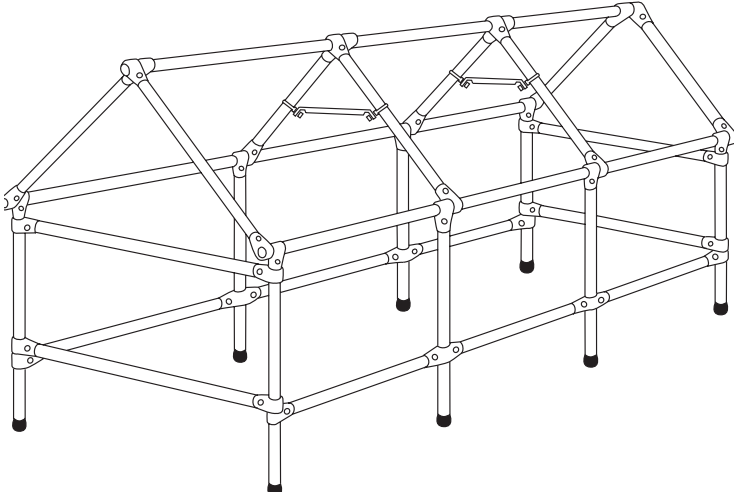
Item number Outlying frame

- 10402 Outlying frame 8 meter, 2 stanchion base
- 10403 Outlying frame 8 meter, 3 stanchion base
- 10413 Outlying frame 9 meter, 3 stanchion base
- 10414 Outlying frame 9 meter, 4 stanchion base
- 10426 Outlying frame 10 meter, 3 stanchion base
- 10427 Outlying frame 10 meter, 4 stanchion base
- 10437 Outlying frame 11 meter, 4 stanchion base
- 10438 Outlying frame 11 meter, 5 stanchion base
- 10446 Outlying frame 12 meter, 4 stanchion base
- 10447 Outlying frame 12 meter, 5 stanchion base
- 10460 Outlying frame 13 meter, 4 stanchion base
- 10461 Outlying frame 13 meter, 5 stanchion base
- 10465 Outlying frame 14 meter, 5 stanchion base
- 10466 Outlying frame 15 meter, 5 stanchion base
- 10467 Outlying frame 16 meter, 5 stanchion base



Stanchion base with peg

Boat house



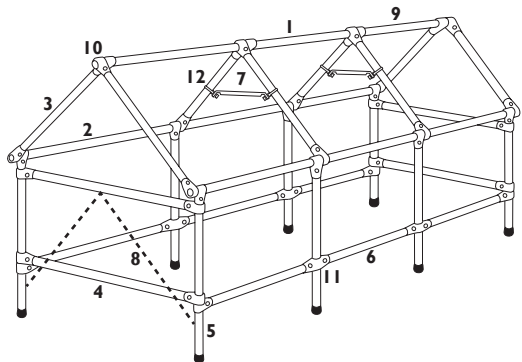
The boat house is an excellent facility when you require extra space around the boat for such activities as maintenance or repair of the hull and you will never have to worry about the weather. The NOA boat house is made-to-measure and incorporates our standard parts.

Item number Boat house

75350 Boat house

Item	Tube dimension
------	----------------

1	Ridge	35 mm	9	Lock
2	Foot	35 mm	10	T-connector
3	Beam	35 mm	11	X-connector
4	Gable	35 mm	12	NOA fitting 30-35
5	Pole	35 mm		
6	Base	35 mm		
7	Stay	30 mm		
8	Stay	30 mm		



Accessories

NOA's frame system is based on modular thinking. You should be able to change your covering frame as your needs change, for instance, when you buy a new boat. The combinations are endless. Below you will find a couple of examples, but ultimately, it's only your imagination which sets the limit.

Deck legs

Is your boat longer than the last one? Complement your frame with an extra pair of telescopic deck legs. Choose between plastic feet or a fitting for the NOA fitting. Also complement the top horizontal tube and lock.

Item number deck legs

- 10310 Telescopic legs (pair) 1,5-2,3 m
- 10311 Telescopic legs (pair) 0,9-1,7 m
- 10312 Telescopic legs (pair) 0,7-1,2 m with end fitting
- 10313 Telescopic legs (pair) 0,9-1,7 m with end fitting
- 10340 Top horizontal tube 2,5 m
- 10341 Top horizontal tube 2,0 m
- 10356 Lock for top horizontal tube
- 10802 NOA fitting 25 mm

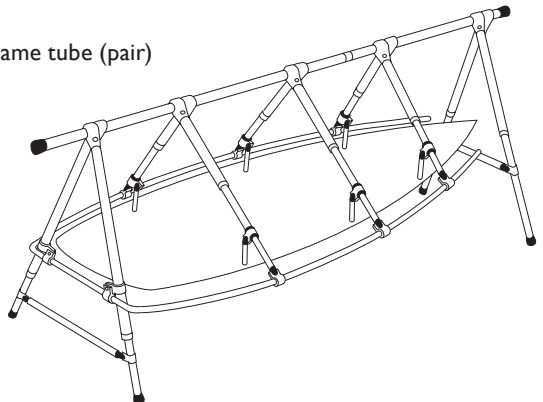


Complement an A-frame to Outlaying frame

An A-frame can easily be converted to an outlaying frame provided that the boat has a guard rail.

Item number A-frame to Outlaying frame

- 10302 Stanchion base fitting (pair)
- 10303 A-leg connection (pair)
- 10305 NOA-fitting for outlaying frame tube (pair)
- 10331 Outlying tube 2 x 9 m
- 10332 Outlying tube 2 x 10 m
- 10333 Outlying tube 2 x 11 m
- 10361 Lock outlying tube
- 10327 Curved stern fitting 3,0 m
- 10328 Curved stern fitting 2,5 m
- 10329 Curved stern fitting 2,0 m

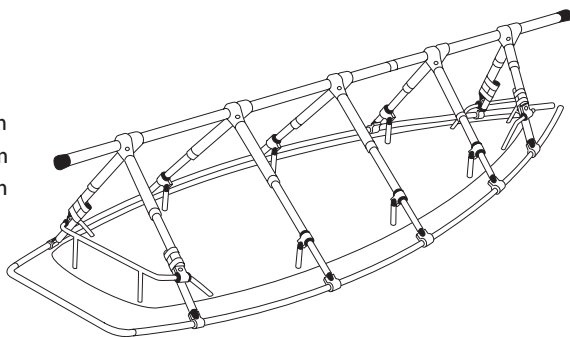


Complement a Deck frame to Outlaying frame

A deck frame can be converted to an outlaying frame to ensure even better ventilation - however, the boat must be equipped with a guard rail.

Item number Deck frame to Outlaying frame

- 10301 Pulpit leg extender (4 pieces)
- 10302 Stanchion base fitting (pair)
- 10305 NOA-fitting outlaying tube
- 10331 Outlaying tube 2 x 9 m
- 10332 Outlaying tube 2 x 10 m
- 10333 Outlaying tube 2 x 11 m
- 10361 Lock outlaying tube
- 10327 Curved stern fitting 3,0 m
- 10328 Curved stern fitting 2,5 m
- 10329 Curved stern fitting 2,0 m

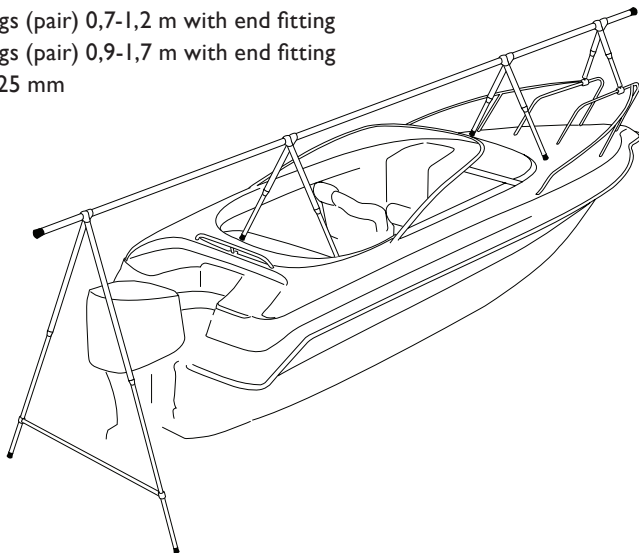


Complement A-frame

If your new boat has a pulpit, you can easily complement your A-frame with an extra pair of deck-legs and a NOA-fitting to ensure a stable fit without harming the pulpit.

Item number complement A-frame

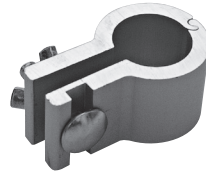
- 10312 Telescopic legs (pair) 0,7-1,2 m with end fitting
- 10313 Telescopic legs (pair) 0,9-1,7 m with end fitting
- 10802 NOA fitting 25 mm



Accessories frames



10301 Pulpit leg extension (4 pieces)



10305 NOA fitting for outlaying tube (pair)



10302 Stanchion base fitting (pair)



10310 Telescopic legs (pair)
1,5 - 2,3 m

10311 Telescopic legs (pair)
0,7 - 1,7 m



10303 A-leg connection (pair)



10312 Telescopic legs with end fitting (pair) 0,7 - 1,2m

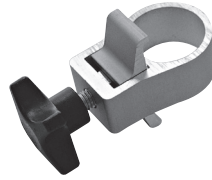
10313 Telescopic legs with end fitting (pair) 0,9 - 1,7m



10304 Pulpit connection



- 10329 Curved stern fitting 2,0m
- 10328 Curved stern fitting 2,5m
- 10327 Curved stern fitting 3,0m



10350 Telescopic lock



- 10330 Outlaying tube 2x8m
- 10331 Outlaying tube 2x9m
- 10332 Outlaying tube 2x10m
- 10333 Outlaying tube 2x11m
- 10334 Outlaying tube 2x12m
- 10335 Outlaying tube 2x13m
- 10336 Outlaying tube 2x14m
- 10361 Lock outlaying tube



10360 Telescopic lock (mk2)



10351 T-connection 35 mm



- 10342 - A-legs pair 2,5-3,2m with stay
- 10343 - A-legs pair 2,5-3,8m with stay
- 10344 - A-legs pair 2,5-4,3m with stay
- 10345 - A-legs pair 2,5-4,8m with stay



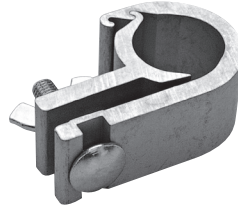
10352 Allen key 8 mm



10356 Lock for top horizontal tube
10361 Lock for out laying tube



- 10358 30 mm tube, 1,5 m, incl two-pronged end fitting
- 10359 30 mm tube, 2,0 m, incl two-pronged end fitting



- 10811 NOA fitting 30-35 for A-stay incl. bolt + nut



- 10510 Aluminium tube 35mm
- 10511 Aluminium tube 30mm
- 10512 Aluminium tube 25mm
- 10340 Top horizontal tube 2,5m
- 10341 Top horizontal tube 2,0m



- 11501 End fitting



- 11504 Two-pronged end fitting 25mm



- 10802 NOA fitting 25 mm bolt + nut
- 10850 NOA fitting 30 mm bolt + nut
- 10851 NOA fitting 32 mm bolt + nut
- 10852 NOA fitting 38 mm bolt + nut



- 11505 Two-pronged end fitting 30mm



- 11522 End cap 25mm
- 11520 End cap 30mm
- 11521 End cap 35mm



- 11523 End plug 25 mm
- 11524 End plug 30 mm
- 11525 End plug 35 mm



- 11620 NOA bag



- 11701 Knob 20 mm



- 11703 Knob 35 mm



- 11720 Nut M8
- 11755 Bolt M8x40



- 45214 Corner fitting 35 mm



- 45215 Cross fitting 35 mm



- 45216 Cross/corner fitting 35 mm

Boat dollies

A robust, electro-plated Boat Dolly for exhibitions and storage. Two dollies can be connected, with an extra tube, for larger boats.

Design protected No 2011/0074

Width: 830 mm

Length: 1200 mm

Height: 300 mm

Weight: 35 kg

Max load: 1400kg/dolly



Item number Boat Dollies

- 11401 NOA Boat Dolly Small
- 11402 NOA Boat Dolly Regular (picture)
- 11405 Extra tube 2 meter

Two dollies can be connected, with an extra tube, for larger boats.



For smaller boats, NOA Boat Dolly Small
Length: 2 300 mm
Width: 1 200 mm
Max load: 1 000 kg





A-Frame

Item no:	Lenght of frame in meter	A A-leg max lenght	B Stay lenght	C Deck legs 0,9-1,7 m
10205	5	3,2	0,9	2
10206	6	3,2	0,9	2
10207	7	3,8	1,5	4
10208	8	3,8	1,5	4
10209	9	4,3	2,0	2
10210	10	4,3	2,0	2
10211	11	4,8	2,5	2
10212	12	4,8	2,5	2

Deck frame

Item no:	Lenght of frame in meter	A Pulpit legs 0,7-1,2 m	B Pushpit legs 0,9-1,7 m	C Deck legs 0,9-1,7 m
10106	6	-	-	5
10107	7	2	2	4
10108	8	2	2	4
10109	9	2	2	2
10110	10	2	2	2
10111	11	2	2	2
10112	12	2	2	2

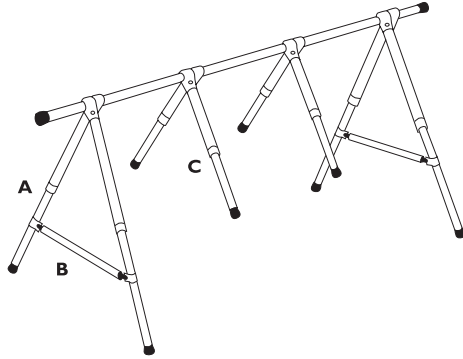
Outlaying frame

Item no:	Lenght of frame in m.	Stanchion- base/side	A Pulpit legs	B Pushpit legs	C Deck legs 0,9-1,7	C Deck legs 0,9-2,05	C Deck legs 1,5-2,3
10402	8	2	2	2	2	-	2
10403	8	3	2	2	2	-	4
10413	9	3	2	2	2	-	4
10414	9	4	2	2	2	-	6
10426	10	3	2	2	2	-	4
10427	10	4	2	2	2	-	-
10437	11	4	2	2	-	2	-
10438	11	5	2	2	-	2	-
10446	12	4	2	2	-	2	-
10447	12	5	2	2	-	2	-

Please note: some boats are equiped with a stanchion peg instead of a traditional stanchion base. Be sure to specify this when ordering your outlaying frame.

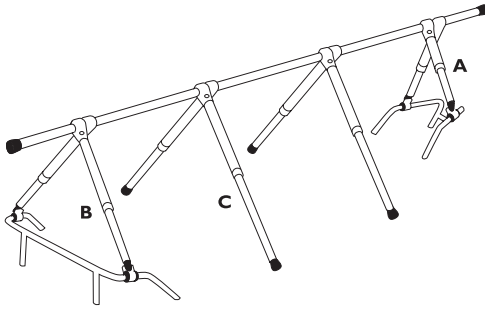
C
Deck legs
1,5-2,3 m

-
-
-
- 2
- 4
- 4
- 4

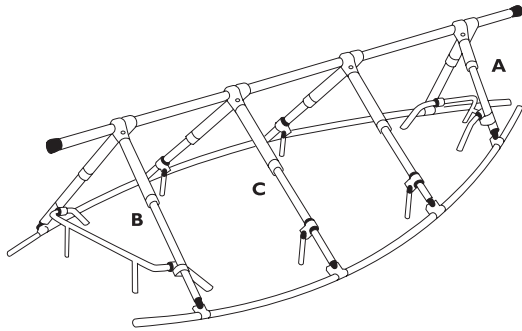


C
Deck legs
1,5-2,3 m

-
-
-
- 2
- 4
- 4
- 4



C Deck legs 1,25-2,55	C Deck legs 1,5-2,8	C Deck legs 2,0-3,3	Max width of boat
-	-	-	3,3
-	-	-	3,3
-	-	-	3,3
-	-	-	3,3
-	-	-	3,7
6	-	-	3,7
-	4	2	4,2
-	4	4	4,2
-	4	2	4,2
-	4	4	4,2



NOA Aluminium AB

Vintervägen 3, 135 40 Tyresö, Sweden
Tfn +46 8 742 63 00 | Fax +46 8 742 30 70
E-mail noa@noa.se | www.noa.se

