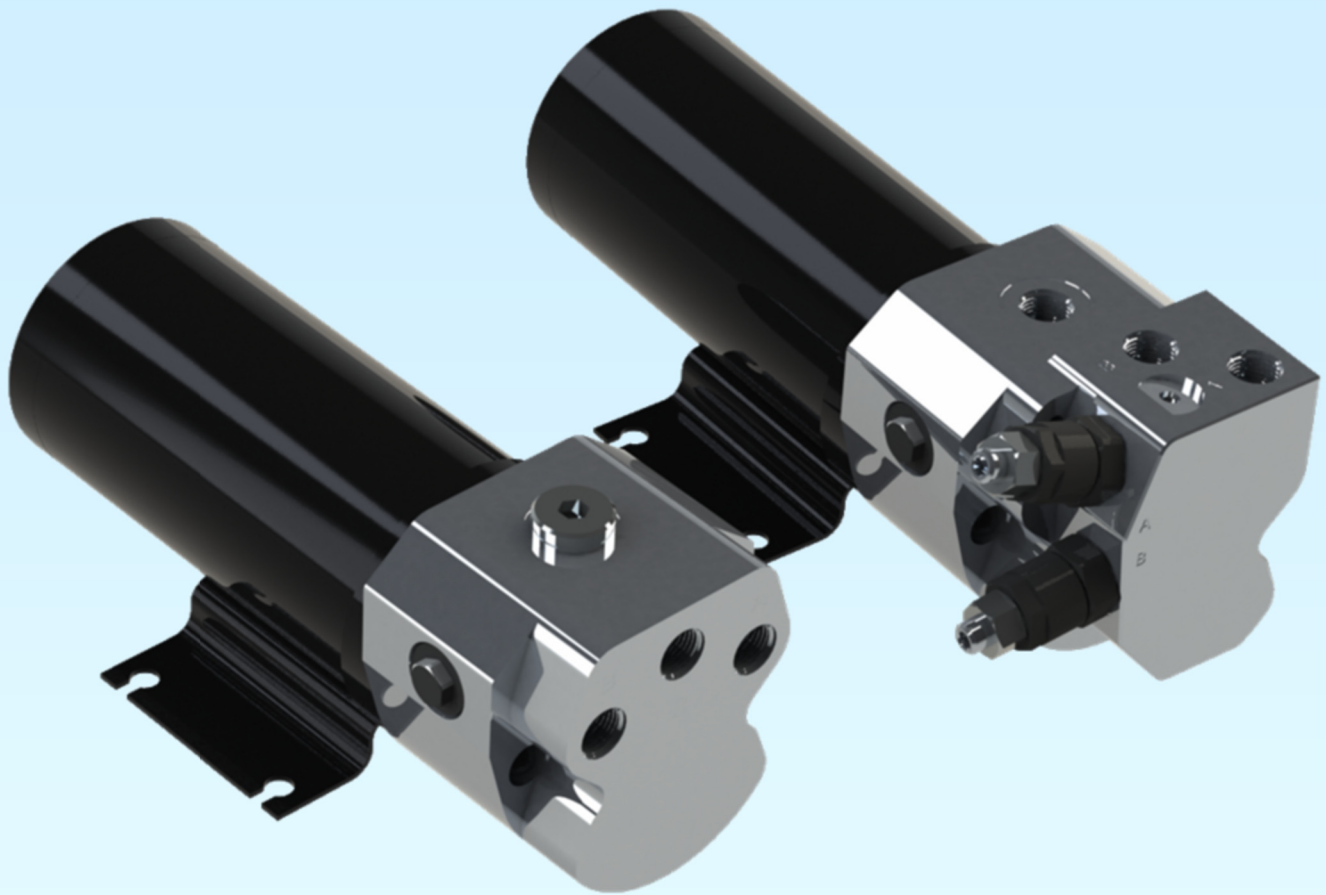


Hy-ProDrive

Motion and Control Solutions



THE PR+ REVERSING DC HYDRAULIC POWER UNIT

THE PR+ REVERSING DC HYDRAULIC POWER UNIT

Designed and developed for the marine autopilot market the PR+ reversing drives are suitable for many other applications.

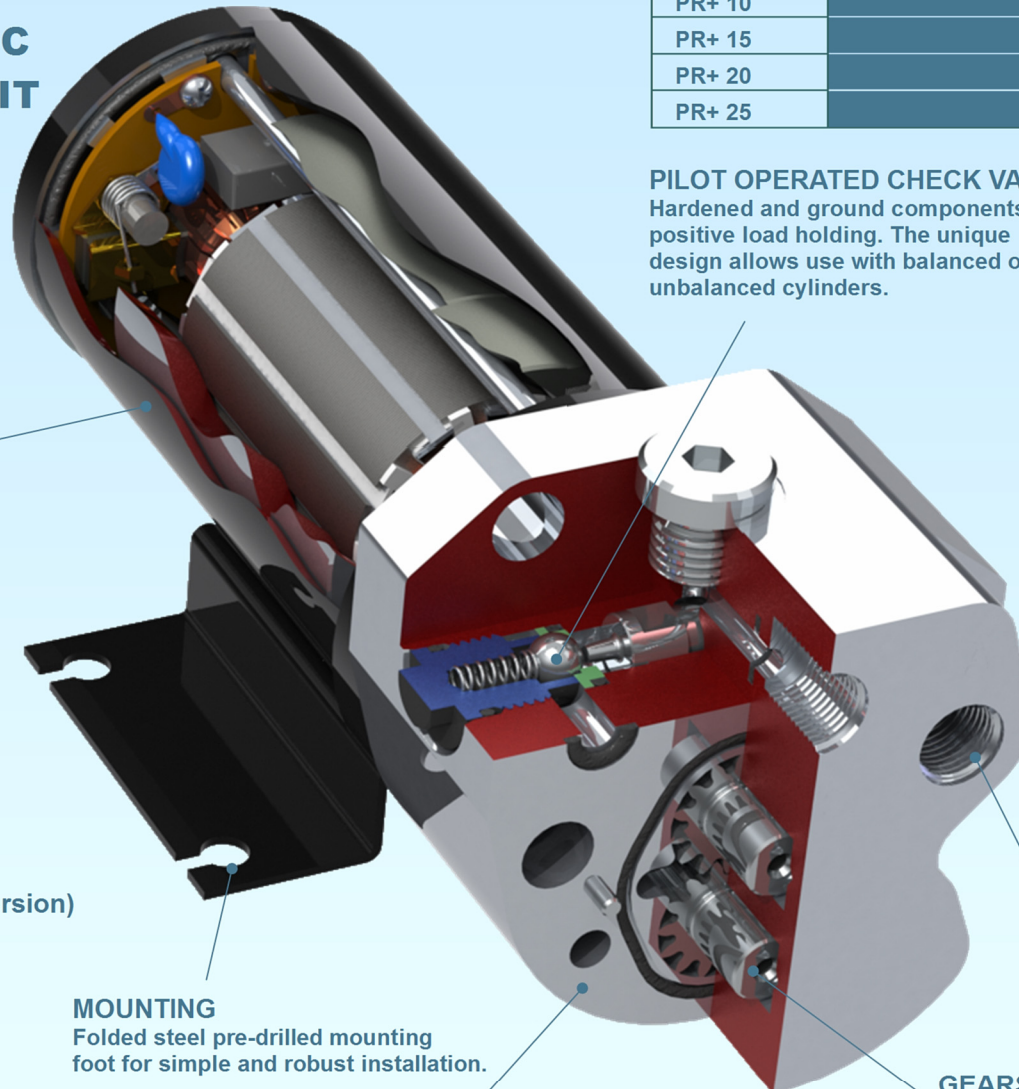
MOTOR

100W 12Vdc or 24Vdc options with IP67 protection. Suitable for direct or PWM drivers. Brush life of 4000+ hours in normal use. Twin ball bearings ensure long maintenance free life. The motor can be easily changed without interfering with the hydraulic circuit.

Rugged construction with stainless steel fasteners and a powder coat finish for superb environmental protection.

Special wound armature for high performance with low current consumption. Built in EMC protection.

- 12Vdc or 24Vdc
- Relief valve option
- 5 flow options
- IP67 protection (30mins @ 1m immersion)
- 55 bar
- Low power consumption
- Integral pilot operated check valves
- Ease of installation
- Low maintenance
- User serviceable
- Environment protective finish
- Top port adaptor option
- EMC protected to BS EN60945:2002
- Ignition protection to BS EN28846:1993
- 1.0m long flying leads



MOUNTING

Folded steel pre-drilled mounting foot for simple and robust installation.

BODY

High grade wear resistant aluminium with a special protective coating for excellent corrosion protection

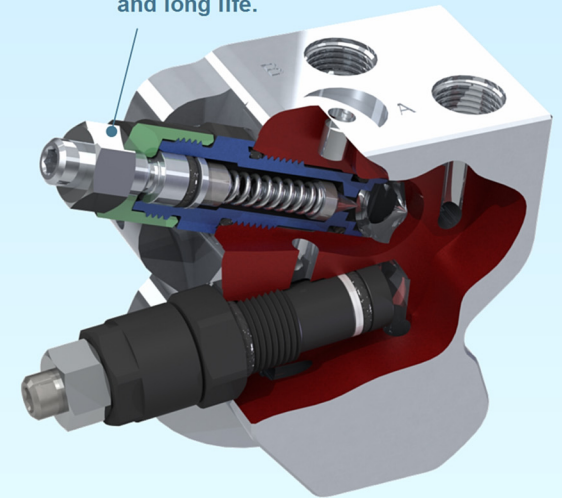
MODEL	0.5	1.0	1.5	2.0	2.5
PR+ 06	NOMINAL FLOW l/min (OFF LOAD)				
PR+ 10					
PR+ 15					
PR+ 20					
PR+ 25					

PILOT OPERATED CHECK VALVE

Hardened and ground components for positive load holding. The unique design allows use with balanced or unbalanced cylinders.

RELIEF VALVE OPTION

Independent control of the maximum pressure available to each service port. Settable from 15 to 55 bar. Hardened components for stability and long life.



PORTS

G1/4 (BSP) parallel threaded ports. Uses face or bonded washer type seals for reliable sealing. Optional positions for the reservoir port.

GEARS

Efficient precision gear form designed for quiet and smooth operation. Hardened finish for long service life.

**DESIGNED AND MANUFACTURED
IN THE UK**

Hy-ProDrive

Motion and Control Solutions



by Hydraulic Projects Ltd.

Our in-house design and technical teams offer the expertise and support expected of an established world-class manufacturer.

Our customers, ranging from the agricultural, transport, rail, fishing, construction and industrial sectors, expect named personal support, excellent quality and a rapid service with full back-up...
....we aim to deliver in full.

Call us today to discuss a bespoke solution from our extensive range or simply for competitively priced spares.

Full technical details of our entire range are available to download from our website.

www.hypro.co.uk

Contact details:

Hydraulic Projects Limited
Dawlish Business Park
Dawlish
Devon
EX7 0NH
U.K

Tel: +44(0)1626 863634
Fax: +44(0)1626 866283

email: sales@hypro.co.uk
website: www.hypro.co.uk

ISO 9001:2008



Certificate No. 11935

HB-0007_01_English