



406-S

609-S

811-S

JIB REEFING - OWNER'S MANUAL

GB

ENROULEUR DE FOC - NOTICE D'UTILISATION

F

ROLLREFFANLAGE - AUFBLASBARE RETTUNGSWESTEN

D

ROLREEFSYSTEEM - GEBRUIKERSHANDLEIDING

NL

ENROLLADOR - GUIA DE UTILIZACION

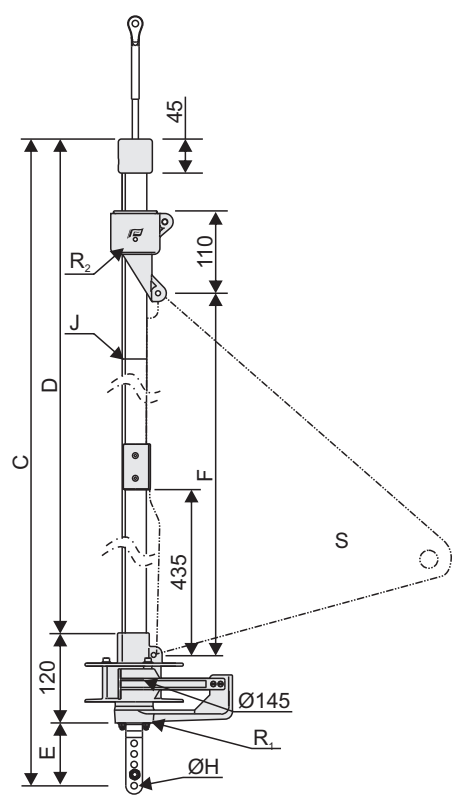
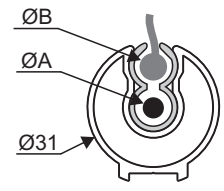
E

RULLFOCKSYSTEM - INSTRUKTIONER OCH HANDHAVANDE

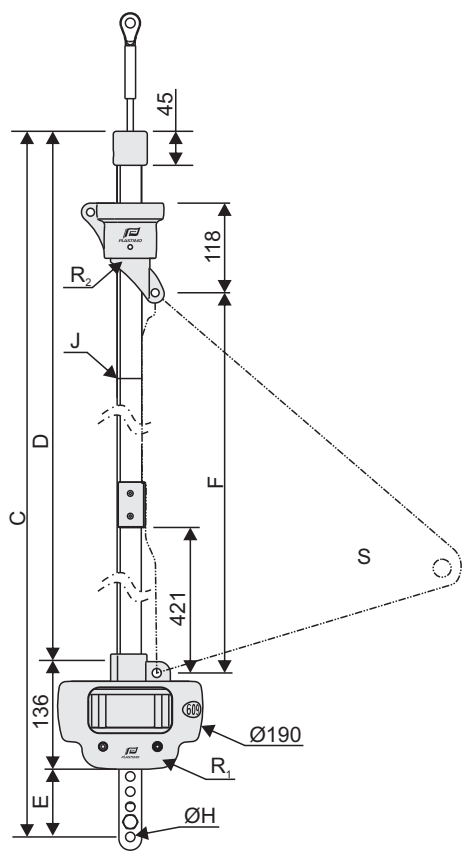
S

AVVOLGITORE - MANUALE D'USO

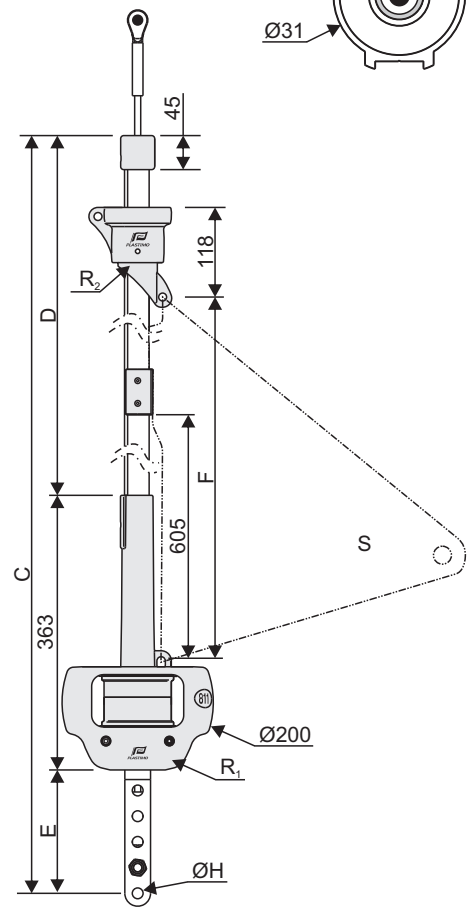
I



406-S



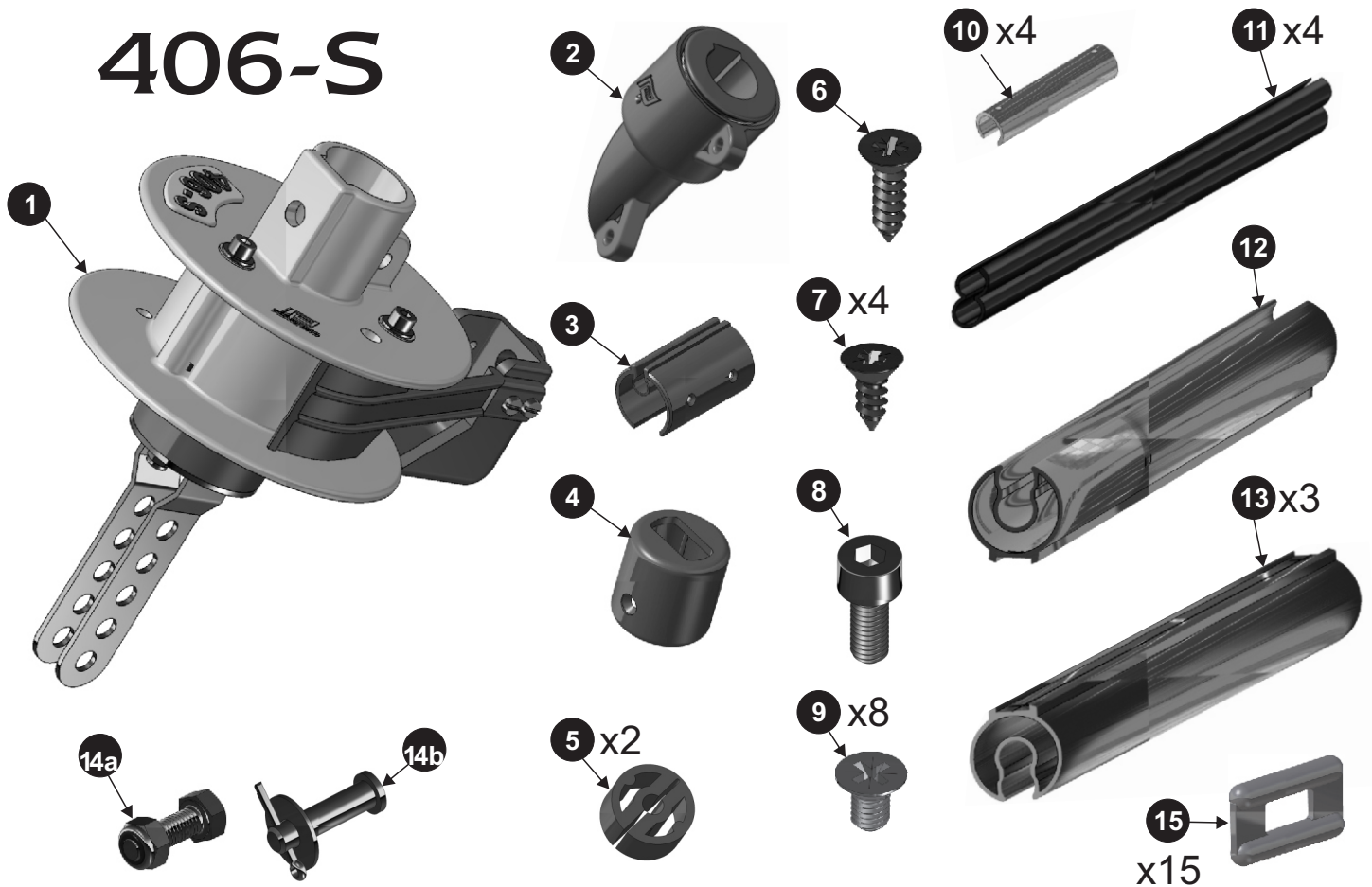
609-S



811-S

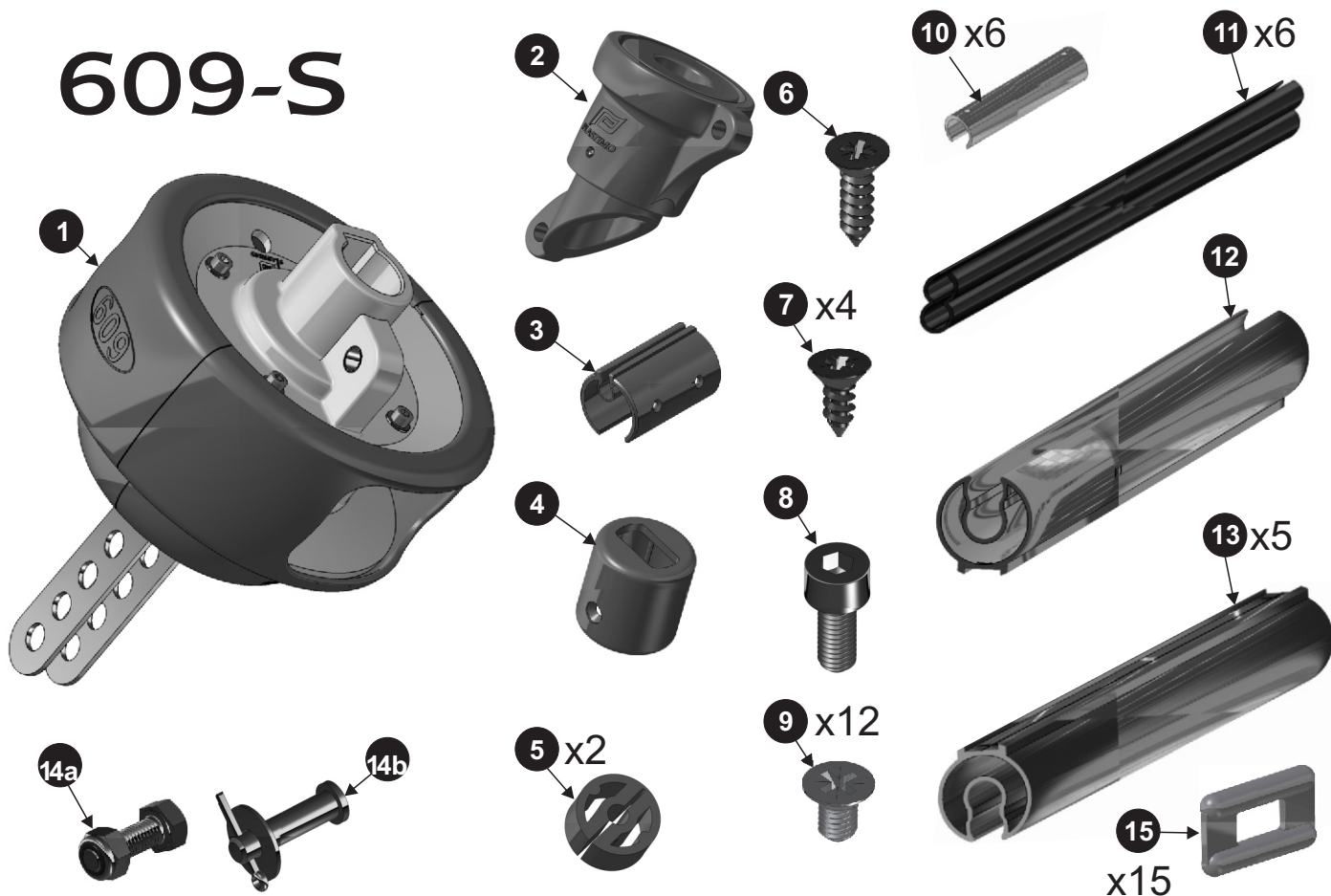
	GB		F		D		NL		E		S	I		
	chainplate	turnbuckle	latte	ridoir	Terminal- montage	Staa ­ spanner- in ­ montage	steyenplaa- tuitvoering	spanschroev- tuitvoering	placas	tensor		Landre	Arridatoi	
406-S	25722	25723	25722	25723	25722	25723	25722	25723	25722	25723	58203	25722	25723	
609-S	58202	58203	58202	58203	58202	58203	58202	58203	58202	58203	58203	58202	58203	
811-S	58204		58204		58204		58204		58204		58204	58204		
ØA	forestay : Ø4-7mm		étai : Ø4-7mm		Vorstag : Ø4-7mm		voorstag : Ø4-7mm		estay : Ø4-7mm		Förstags : Ø4-7mm	Strallo : Ø4-7mm		
ØB	luffrope : Ø6.5mm		ralingue : Ø6.5mm		Vorliek : Ø6.5mm		voorlijk : Ø6.5mm		relinga : Ø6.5mm		Lik : Ø6.5mm	ralinga : Ø6.5mm		
C	407-S	6.20m	6.28m	6.20m	6.28m	6.20m	6.28m	6.20m	6.28m	6.20m	6.28m	6.28m	6.20m	6.28m
	609-S	9.22m	9.40m	9.22m	9.40m	9.22m	9.40m	9.22m	9.40m	9.22m	9.40m	9.40m	9.22m	9.40m
	811-S	11.05m		11.05m		11.05m		11.05m		11.05m		11.05m	11.05m	
D	407-S	5.95m		5.95m		5.95m		5.95m		5.95m		5.95m	5.95m	
	609-S	8.94m		8.94m		8.94m		8.94m		8.94m		8.94m	8.94m	
	811-S	10.44m		10.44m		10.44m		10.44m		10.44m		10.44m	10.44m	
E	407-S	65mm	150mm	65mm	150mm	65mm	150mm	65mm	150mm	65mm	150mm	150mm	65mm	150mm
	609-S	115mm	285mm	115mm	285mm	115mm	285mm	115mm	285mm	115mm	285mm	285mm	115mm	285mm
	811-S	220mm		220mm		220mm		220mm		220mm		220mm	220mm	
F	407-S	5.82m		5.82m		5.82m		5.82m		5.82m		5.82m	5.82m	
	609-S	8.80m		8.80m		8.80m		8.80m		8.80m		8.80m	8.80m	
	811-S	10.49m		10.49m		10.49m		10.49m		10.49m		10.49m	10.49m	
G	407-S													
	609-S	I groove		I gorge		I Nuten		I zeilgroeven		I relingas		I likrännor		
	811-S													
ØH	407-S	8.5mm		8.5mm		8.5mm		8.5mm		8.5mm		8.5mm		
	609-S	12.5mm		12.5mm		12.5mm		12.5mm		12.5mm		12.5mm		
	811-S	14.3mm		14.3mm		14.3mm		14.3mm		14.3mm		14.3mm		
J	407-S													
	609-S	coupling units : aluminium + screws		jonctions aluminium + vis		Verbindungen Alu- minium + Schrauben		koppelstuk alu + schroeven		Empalmes aluminio + tornillos		Kopplingar alumi- nium + skruv		
	811-S													
R ₁	407-S	bearing: Delrin		roulement Delrin		Kugellager Delrin		lagering Delrin		Rodamientos Delrin		Kullager Delrin		
	609-S	bearing: Delrin,inox		roulement Delrin,inox		Kugellager Delrin,inox		lagering Delrin,RVS		Rod. Delrin,inox		Kulla. Delrin,rostfritt		
	811-S	bearing: Delrin, Torlon		roulement Delrin, Torlon		Kugellager Delrin, Torlon		lagering Delrin, Torlon		Rod. Delrin, Torlon		Kulla. Delrin, Torlon		
R ₂	407-S	bearing: Delrin		roulement Delrin		Kugellager Delrin		lagering Delrin		Rodamientos Delrin		Kullager Delrin		
	609-S	bearing: Delrin, Torlon		roulement Delrin, Torlon		Kugellager Delrin, Torlon		lagering Delrin, Torlon		Rodamientos Delrin, Torlon		Kullager Delrin, Torlon		
	811-S	bearing: Delrin, Torlon		roulement Delrin, Torlon		Kugellager Delrin, Torlon		lagering Delrin, Torlon		Rodamientos Delrin, Torlon		Kullager Delrin, Torlon		
S	407-S	12m ²		12m ²		12m ²		12m ²		12m ²		12m ²		
	609-S	25m ²		25m ²		25m ²		25m ²		25m ²		25m ²		
	811-S	35m ²		35m ²		35m ²		35m ²		35m ²		35m ²		

406-S



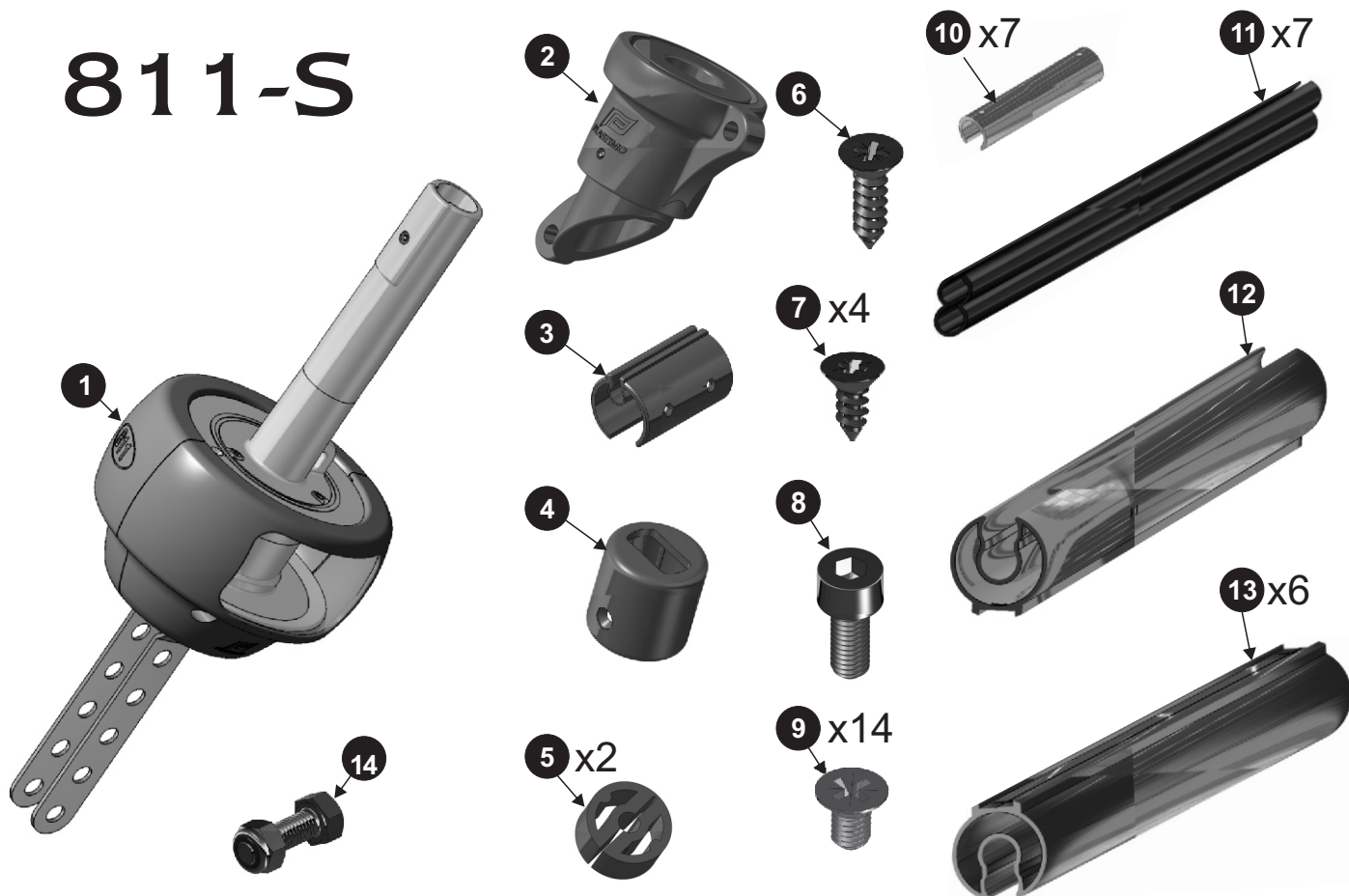
	GB	F	D	NL	E	S	I
1	1 drum unit	1 ensemble tambour	1 Trommel	1 roltrommel	1 conjunto tambor	1 Trumma med revlinematare	1 insieme tamburo
2	1 halyard swivel	1 émerillon	1 Fallwirbel	1 valwartel	1 giratorio	1 Fallsvirvel	1 mulinello
3	1 boltrope prefeeder	1 guide ralingue	1 Liekeinführung	1 voorlijkinvoer	1 guía relinga	1 Segelinmatare	1 guida ralinga
4	1 top end stop	1 embout profil	1 Profilansatzstück	1 top eind stuk	1 terminal tope	1 Toppdel	1 Terminale profilato
5	2 bearings	2 paliers de profil	2 Stopper	2 lagere	2 cojinetes	2 Lagringar	2 Supporti
6	4 screws Ø3.9x9.5 (prefeeder)	4 vis tôle TF Ø3.9x9.5 fixation guide ralingue	4 Schraube Ø3.9x9.5 (Liekeinführung)	4 schroeven Ø3.9x9.5 (voorlijkinvoer)	4 tornillos Ø3.9x9.5 (guía relinga)	4 spårskruv Ø3.9x9.5 (Segelinmatare)	4 viti lamiera Ø3.9x9.5 (guida ralinga)
7	1 screw Ø4.8x12. (top end stop)	1 vis tôle TF Ø4.8x12. fixation embout profil	1 Schraube Ø4.8x12. (Profilansatzstück)	1 schroef Ø4.8x12. (top eind stuk)	1 tornillo Ø4.8x12. (terminal tope)	1 spårskruv Ø4.8x12. (Toppdel)	1 vite lamiera Ø4.8x12 (terminale profilato)
8	1 screw M5x12 (base spar)	1 vis Chc M5x12 fixation profil bas	1 Schraube M5x12 (unteres Profil)	1 schroef M5x12 (basisprofiel)	1 tornillo M5x12 (perfil bajo)	1 insex M5x12 (Bottenprofil)	1 vite a brugola M5x12 (profilato basso)
9	8 screws M5x8 (spar connections)	8 vis TF M5x8 liaison profils	8 Schraube M5x8 (Verbindung der Profile)	8 bouten M5x8 (koppelstukken)	8 Tornillos M5x8 (unión perfiles)	8 insex M5x8 (profilkopplingarna)	8 vite M5x8 (collegamento profilati)
10	4 Coupling sleeves	4 pièces de jonction aluminium	4 Verbindungsstücke	4 koppelstukken	4 piezas de uniones	4 Skarvstycken	4 Pezzi di giunzione
11	4 PVC liners	4 profils PVC	4 PVC-Profile	4 PVC binnenprofielen	4 Perfiles PVC	4 Innerprofil i PVC - plastprofil	4 Profilati PVC
12	1 base spar	1 profil aluminium bas	1 unteres Profil	1 basisprofiel	1 perfil bajo	1 Bottenprofil	1 profilato basso
13	3 Intermediate spars	3 profils aluminium intermédiaires	3 Zwischenprofile	3 standaardprofielen	3 Perfiles intermedios	3 Standard profiler	3 Profilati intermedi
14a	1 screw + nut M8x35 => chainplate	1 vis+écrou M8x35 modèle lattes	1 Schraube M8x35 Terminalmontage	1 bunt M8x35 stevenplaatuitvoering	1 tornillo M8x35 (placas)	1 insex M8x35	1 Vite M8x35 Modello Landre
14b	1 Shoudered clevis pin Ø8 (=> turnbuckle)	1 axe épaulé Ø8 modèle ridoir	1 Bolzen, dick Ø8 Stagspannermontage	1 pen Ø8 spanschroefuitvoering	1 Bulón Ø8 (tensor)	1 Riggbult Ø8	1 Asse a testa Ø8 Modello arridatoi
15	15 PVC slide (=> turnbuckle)	15 coulisseau plastique modèle ridoir	15 PVC Rutscher Stagspannermontage	15 PVC-leuver spanschroefuitvoering	15 patin (tensor)	15 Plasttravare	15 guida in plastica Modello arridatoi

609-S



	GB	F	D	NL	E	S	I
1	1 drum unit	1 ensemble tambour	1 Trommel	1 roltrommel	1 conjunto tambor	1 Trumma	1 insieme tamburo
2	1 halyard swivel	1 émerillon	1 Fallwirbel	1 valwartel	1 giratorio	1 Fallsvirvel	1 mulinello
3	1 boltrope prefeeder	1 guide ralingue	1 Liekeinführung	1 voorlijkinvoer	1 guía relinga	1 Segelinmatare	1 guida ralinga
4	1 top end stop	1 embout profil	1 Profilansatzstück	1 top eind stuk	1 terminal tope	1 Toppdel	1 Terminale profilato
5	2 bearings	2 paliers de profil	2 Stopper	2 lagere	2 cojinetes	2 Lagringar	2 Supporti
6	4 screws Ø3.9x9.5 (prefeeder)	4 vis tôle TF Ø3.9x9.5 fixation guide ralingue	4 Schraube Ø3.9x9.5 (Liekeinführung)	4 schroeven Ø3.9x9.5 (voorlijkinvoer)	4 tornillos Ø3.9x9.5 (guía relinga)	4 spårskruv Ø3.9x9.5 (Segelinmatare)	4 viti lamiera Ø3.9x9.5 (guida ralinga)
7	1 screw Ø4.8x12. (top end stop)	1 vis tôle TF Ø4.8x12. fixation embout profil	1 Schraube Ø4.8x12. (Profilansatzstück)	1 schroef Ø4.8x12. (top eind stuk)	1 tornillo Ø4.8x12. (terminal tope)	1 spårskruv Ø4.8x12. (Toppdel)	1 vite lamiera Ø4.8x12 (terminale profilato)
8	1 screw M5x12 (base spar)	1 vis Chc M5x12 fixation profil bas	1 Schraube M5x12 (unteres Profil)	1 schroef M5x12 (basisprofiel)	1 tornillo M5x12 (perfil bajo)	1 insex M5x12 (Bottenprofil)	1 vite a brugola M5x12 (profilato basso)
9	12 screws M5x8 (spar connections)	12 vis TF M5x8 liaison profils	12 Schraube M5x8 (Verbindung der Profile)	12 bouten M5x8 (koppelstukken)	12 Tornillos M5x8 (unión perfiles)	12 insex M5x8 (profilkopplingarna)	12 vite M5x8 (collegamento profilati)
10	6 Coupling sleeves	6 pièces de jonction aluminium	6 Verbindungsstücke	6 koppelstukken	6 piezas de uniones	6 Skarvstycken	6 Pezzi di giunzione
11	6 PVC liners	6 profils PVC	6 PVC-Profile	6 PVC binnenprofielen	6 Perfiles PVC	6 Innerprofil i PVC - plastprofil	6 Profilati PVC
12	1 base spar	1 profil aluminium bas	1 unteres Profil	1 basisprofiel	1 perfil bajo	1 Bottenprofil	1 profilato basso
13	5 Intermediate spars	5 profils aluminium intermédiaires	5 Zwischenprofile	5 standaardprofielen	5 Perfiles intermedios	5 Standard profiler	5 Profilati intermedi
14a	1 screw+nut M12x35 => chainplate	1 vis+écrou M12x35 modèle lattes	1 Schraube M12x35 Terminalmontage	1 bunt M12x35 stevenplaatuitvoering	1 tornillo M12x35 (placas)	1 insex M12x35	1 Vite M12x35 Modello Landre
14b	1 Shouldered clevis pin Ø12 (=> turnbuckle)	1 axe épaulé Ø12 modèle ridoir	1 Bolzen, dick Ø12 Stagspannermontage	1 pen Ø12 spanschroefuitvoering	1 Bulón Ø12 (tensor)	1 Riggbult Ø12	1 Asse a testa Ø12 Modello arridatoi
15	15 PVC slide (=> turnbuckle)	15 coulisseau plastique modèle ridoir	15 PVC Rutscher Stagspannermontage	15 PVC-leuver spanschroefuitvoering	15 patin (tensor)	15 Plasttravare	15 guida in plastica Modello arridatoi

811-S



	GB	F	D	NL	E	S	I
1	1 drum unit	1 ensemble tambour	1 Trommel	1 roltrommel	1 conjunto tambor	1 Trumma	1 insieme tamburo
2	1 halyard swivel	1 émerillon	1 Fallwirbel	1 valwartel	1 giratorio	1 Fallsvirvel	1 mulinello
3	1 bolt rope prefeeder	1 guide ralingue	1 Liekeinführung	1 voorlijkinvoer	1 guía relinga	1 Segelinmatare	1 guida ralinga
4	1 top end stop	1 embout profil	1 Profilansatzstück	1 top eind stuk	1 terminal tope	1 Toppdel	1 Terminale profilato
5	2 bearings	2 paliers de profil	2 Stopper	2 lagers	2 cojinetes	2 Lagringar	2 Supporti
6	4 screws Ø3.9x9.5 (prefeeder)	4 vis tôle TF Ø3.9x9.5 fixation guide ralingue	4 Schraube Ø3.9x9.5 (Liekeinführung)	4 schroeven Ø3.9x9.5 (voorlijkinvoer)	4 tornillos Ø3.9x9.5 (guía relinga)	4 spårskruv Ø3.9x9.5 (Segelinmatare)	4 viti lamiera Ø3.9x9.5 (guida ralinga)
7	1 screw Ø4.8x12. (top end stop)	1 vis tôle TF Ø4.8x12. fixation embout profil	1 Schraube Ø4.8x12. (Profilansatzstück)	1 schroef Ø4.8x12. (top eind stuk)	1 tornillo Ø4.8x12. (terminal tope)	1 spårskruv Ø4.8x12. (Toppdel)	1 vite lamiera Ø4.8x12 (terminale profilato)
8	1 screw M5x12 (base spar)	1 vis Chc M5x12 fixation profil bas	1 Schraube M5x12 (unteres Profil)	1 schroef M5x12 (basisprofiel)	1 tornillo M5x12 (perfil bajo)	1 insex M5x12 (Bottenprofil)	1 vite a brugola M5x12 (profilato basso)
9	14 screws M5x8 (spar connections)	14 vis TF M5x8 liaison profils	14 Schraube M5x8 (Verbindung der Profile)	14 bouten M5x8 (koppelstukken)	14 Tornillos M5x8 (unión perfiles)	14 insex M5x8 (profilkopplingarna)	14 vite M5x8 (collegamento profilati)
10	7 Coupling sleeves	7 pièces de jonction aluminium	7 Verbindungsstücke	7 koppelstukken	7 piezas de uniones	7 Skarvstycken	7 Pezzi di giunzione
11	7 PVC liners	7 profils PVC	7 PVC-Profile	7 PVC binnenprofielen	7 Perfiles PVC	7 Innerprofil i PVC - plastprofil	7 Profilati PVC
12	1 base spar	1 profil aluminium bas	1 unteres Profil	1 basisprofiel	1 perfil bajo	1 Bottenprofil	1 profilato basso
13	6 Intermediate spars	6 profils aluminium intermédiaires	6 Zwischenprofile	6 standaardprofielen	6 Perfiles intermedios	6 Standard profiler	6 Profilati intermedi
14	1 screw+nut M14x40	1 vis+écrou M14x40	1 Schraube M14x40	1 bunten M14x40	1 tornillo M14x40	1 insex M14x40	1 Vite M14x40

ASSEMBLY INSTRUCTIONS

FOR S-SERIES

406-S 609-S 811-S

INDEX

1/ TECHNICAL SPECIFICATIONS 406-S, 609-S, 811-S	3
2/ DESCRIPTION OF SPECIFIC PARTS FOR EACH MODEL	
2.1 - 406-S	4
2.2 - 609-S	5
2.3 - 811-S	6
3/ TOOLS NEEDED	7
4/ FLAT ASSEMBLY (forestay dismantled)	7
4.1 - Dismantling the forestay	8
4.2 - Assembly of the jib reefing system	9
4.3 - Assembling the last spar	9
4.4 - Assembling the top end stop	10
5/ IN SITU ASSEMBLY (directly onto the boat)	10
5.1 - Measuring the length of the forestay	10
5.2 - Cutting the last spar	11
5.3 - Assembling the top end stop	11
5.4 - Assembling the spars	11
5.5 - Assembling the base spar	12
5.6 - Cutting the PVC liner	12
5.7 - Assembling the boltrope prefeeder	12
5.8 - Assembling the drum unit	13
5.9 - Adjusting the reefing line feeders	13
6/ RECOMMANDATIONS	14
7/ OPTIONAL EXTRAS	15
8/ SPARE PARTS	
8.1 - 406-S	72
8.2 - 609-S	73
8.3 - 811-S	74

3/ TOOLS NEEDED

Tools needed :

- Hammer
- Pliers
- Comfortable bosun's chair (Plastimo).
- Allen key (4)
- Electric or hand drill
- 1 Ø4 mm drill
- Hacksaw
- Tape measure
- Screwdriver
- Silicone filler.

4/ FLAT ASSEMBLY

- This method consists of fully dismantling the forestay and assembling the jib reefing system while the forestay is lying flat.
- We recommend this method as it is faster.
- In certain cases the top part of the forestay cannot be dismantled, in this case::
do an in situ assembly (see page 10)
contact a professional who can install a universal joint on the upper part of the forestay.

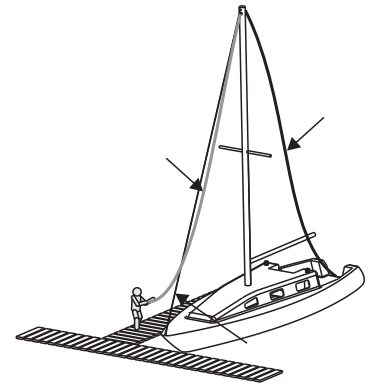
4.1 - Dismantling the forestay

4.1.1 - Lower part

- Slacken the backstay
- Secure the mast forward with 1 or 2 halyards
- Tighten the halyards to relieve the strain on the forestay
- Dismantle the lower part of the forestay (this usually consists of removing a rigging screw pin, or a screw and a nut).

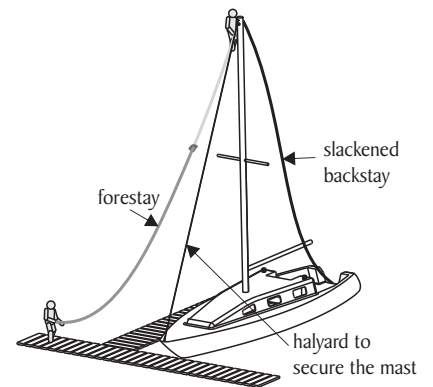
Note : it is important to measure the distance between the forestay eye and the hole of the forward mounting plate in order to find the correct adjustments again.

For a turnbuckle assembly, measure the distance between the mounting plate and the blocking nut of the turnbuckle.



4.1.2 - Upper part

- Send a person to the masthead (equipped with hammer and pliers)
- Dismount the upper part of the forestay
- Bring the person and the forestay down from the masthead



4.2 - ASSEMBLING THE JIB REEFING SYSTEM

- Lay the forestay flat



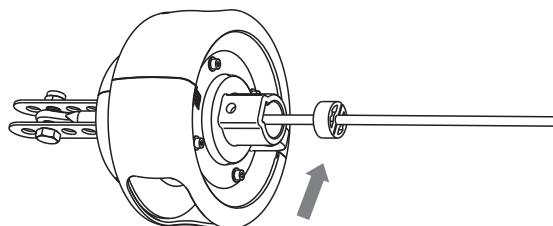
- Place the parts to be assembled alongside the forestay



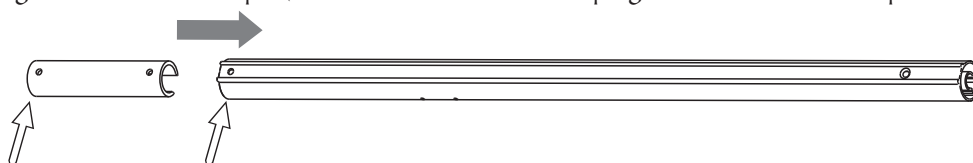
- Assemble the drum unit on the forestay and put the rigging screw pin or screw and nut in place (select the chainplate hole that corresponds to the initial forestay adjustment).



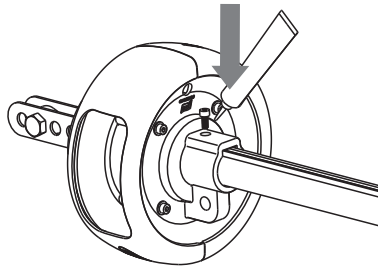
- Slide a bearing into the drum



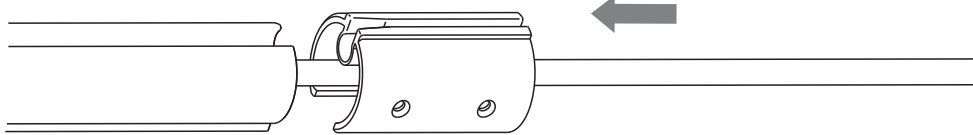
- Insert a coupling sleeve into the base spar (ensure that the hole in the coupling sleeve is in line with the pre-drilled hole of the base spar)



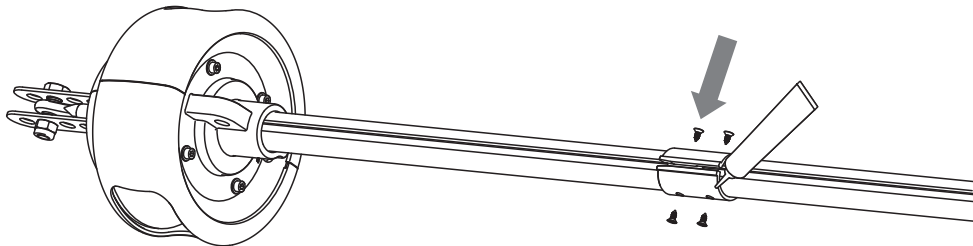
- Slide the base spar into the drum unit until the two holes are in line, insert the M5x12 screw (after putting some silicone filler in the hole in order to reduce the stainless steel / aluminium electrolytic couple) and tighten.



- Install the boltrope prefeeder; ensure it is the right way up, see diagram below.

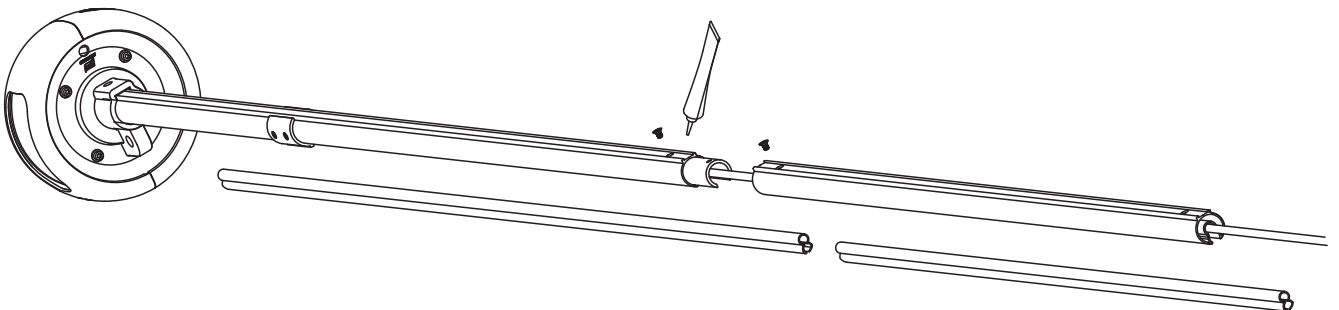


- Secure with the 4 screws $\varnothing 3.9 \times 9.5$



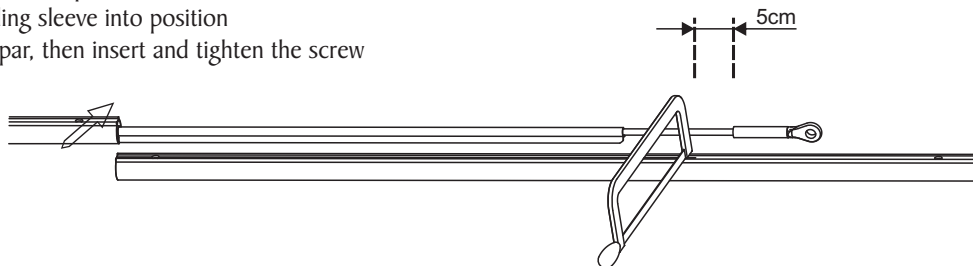
GB

- Insert an aluminium coupling sleeve, put some silicone filler into the hole and position a MSx8 screw (do not tighten or it will be difficult to put the second screw in place).
- Put a second spar into position, put some silicone filler in the hole and position the screw (once the two screws are in position they may both be tightened). Wipe off any excess filler with a cloth.
- Insert PVC liners as you go along (ensure they are flush against the prefeeder)
- Repeat the process until only one spar is left

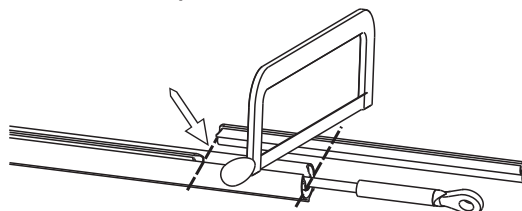


4.3 Cutting the last spar

- Position the last spar so that it lies flush against the previous spar but do not install it
- Measure a distance of 5 cm back from the sleeve of the forestay
- Mark and cut the spar with a hacksaw
- Put a coupling sleeve into position
- Insert the spar, then insert and tighten the screw

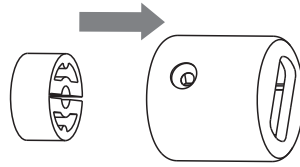


- Position the last PVC liner
- Mark the liner level with the end of the aluminium spar
- Cut and insert the PVC liner

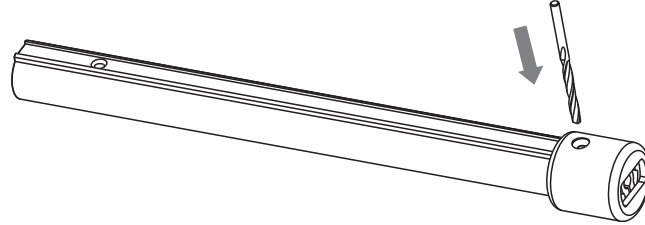


4.4 Installing the top end stop

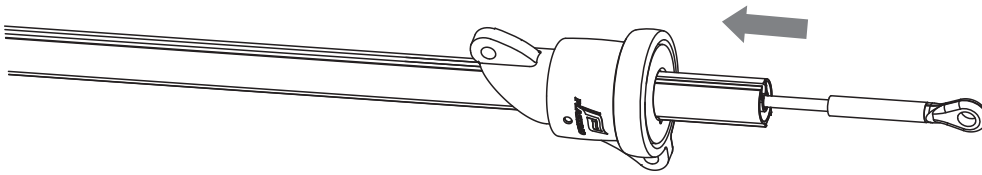
- Slot the second bearing into the top end stop



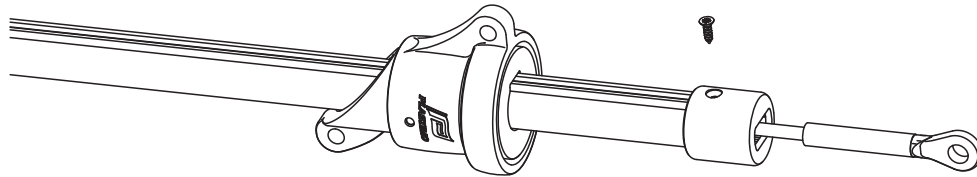
- Slide the top end stop over the aluminium spar
- Drill a hole (with a Ø4 mm drill). IMPORTANT: refer to diagram for the positioning of the top end stop



- Before putting the screw into position, do not forget to slide the halyard swivel into place (ensure that the conical end of the halyard swivel faces downwards)



- Put the top end stop back into position
- Put some silicone filler into the hole
- Insert and tighten screw Ø4.8 x 12.7



- Your jib reefing system is now assembled and can be put into position (hoist it up to the masthead with a halyard)



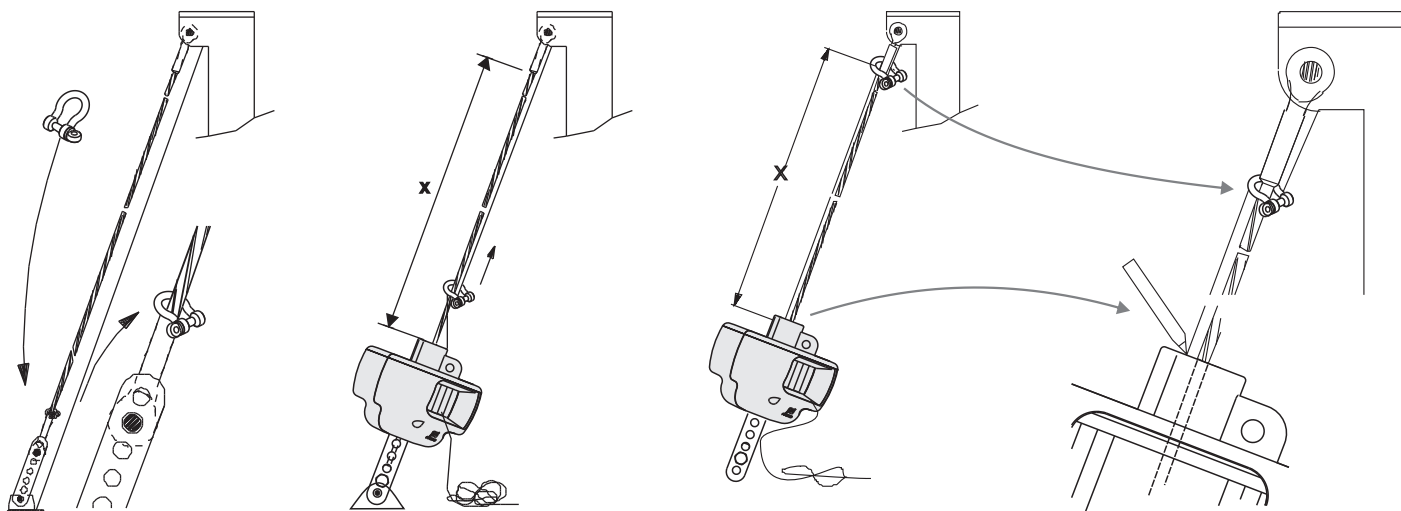
5/ IN SITU ASSEMBLY

- this method of assembly may be carried out by one person
- it is not necessary to dismantle anything at the masthead

5.1 - MEASURING THE LENGTH OF THE FORESTAY

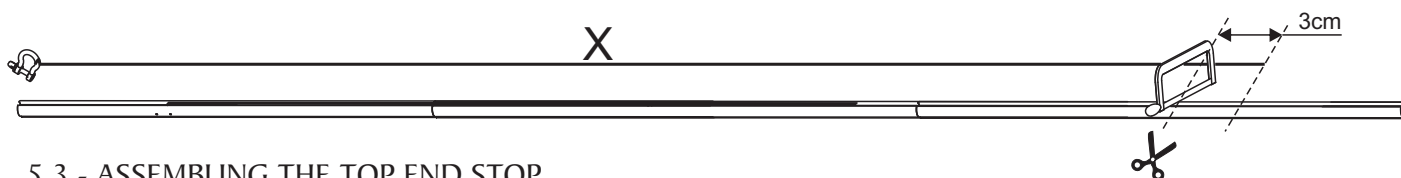
In order for this jib reefing system to be perfectly adapted to your boat the length « X » needs to be known.

- Slide a small shackle around the forestay
- Ensure that it lies flush against the sleeve
- Slacken the backstay
- Secure the mast with a halyard
- Dismount the lower part of the forestay
- Assemble the drum unit
- Reassemble the lower part of the forestay
- Undo the halyard and tighten the backstay
- Attach a halyard to the shackle
- Attach a length of rope (or a tape measure) to the shackle
- Hoist the shackle until it touches the top sleeve of the forestay
- Mark the piece of rope level with the top of the drum unit
- Lower the shackle



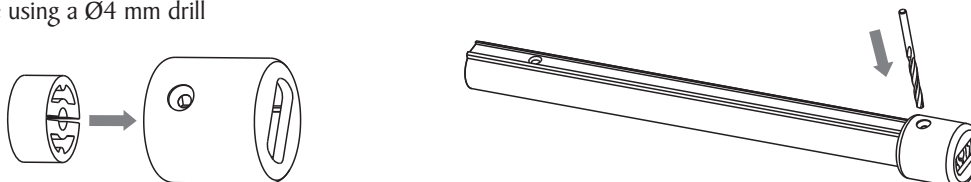
5.2 - CUTTING THE LAST SPAR

- Stretch out flat the piece of rope used to measure the length of the forestay
- Lay the aluminium spars parallel to the piece of rope (take note of base spar, see page 7)
- Mark the spar level with the mark on the piece of rope
- Cut the spar 3 cm (safety margin) below the mark



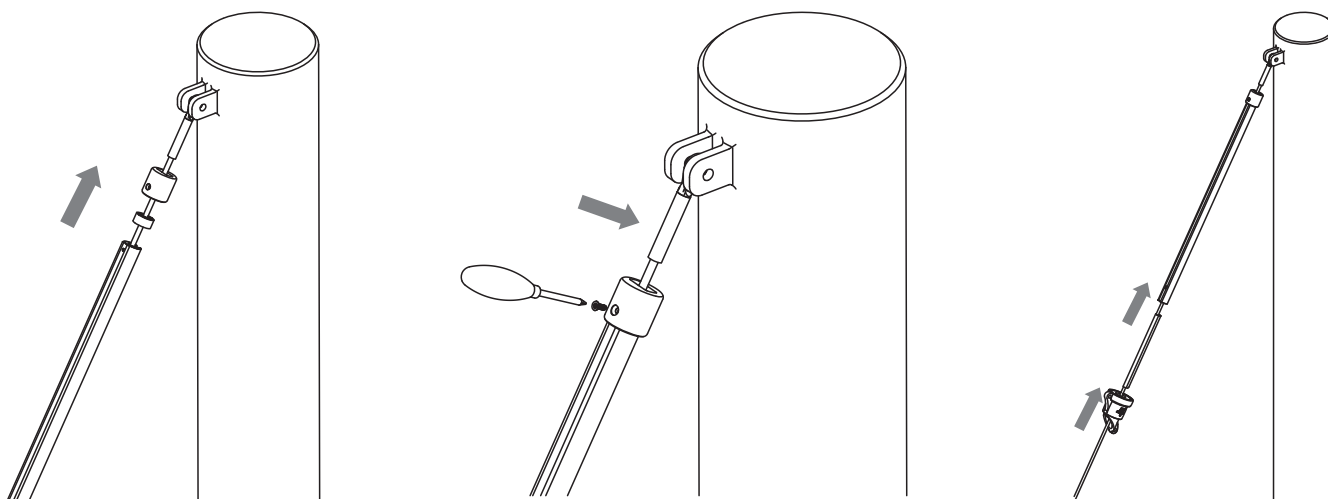
5.3 - ASSEMBLING THE TOP END STOP

- The top end stop should be assembled on the aluminium spar that has just been cut.
 - a) The second bearing is slotted into the top end stop
 - b) Slide the top end stop fully over the end of the spar (IMPORTANT: refer to diagram below for positioning of the hole in the top end stop)
 - c) Drill a hole using a $\text{\O}4$ mm drill

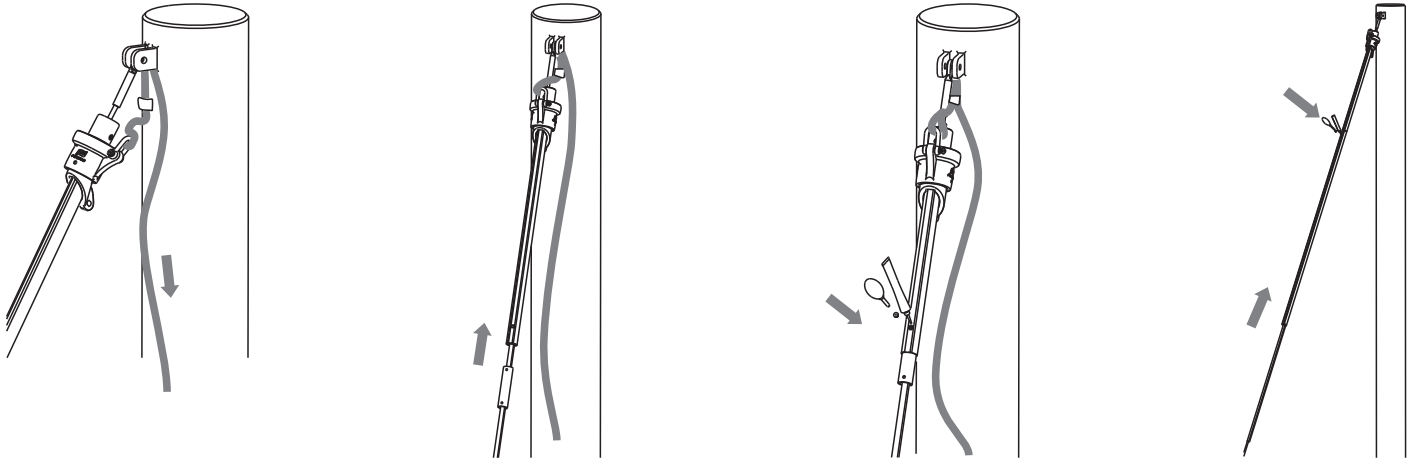


5.4 - ASSEMBLING THE SPARS

- Dismount the forestay from the stemhead fitting
- Install the following on the forestay :
 - Top end stop
 - Bearing
 - The spar that you have cut and drilled
 - 1 screw $\text{\O}4.8 \times 12.7$
 - PVC liner
 - Halyard swivel (IMPORTANT: see drawing below for position of halyard swivel)

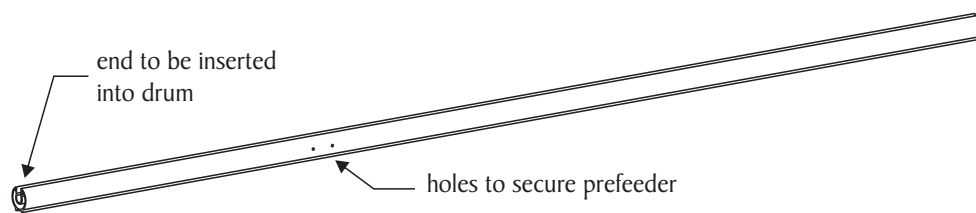


- Refasten the forestay
- Attach a halyard to the halyard swivel in order to support the spars as they are assembled
- Insert a coupling sleeve
- Put some silicone filler into the holes before tightening the screws (in order to reduce the electrolytic couple between the stainless steel screw and the aluminium)
- Insert an M5 x 8 screw
- Wipe away any excess silicone with a cloth
- Slide another aluminium spar into position
- Insert a PVC liner (IMPORTANT: keep the base spar to one side; you will be assembling it last)
- Repeat the process as many times as necessary



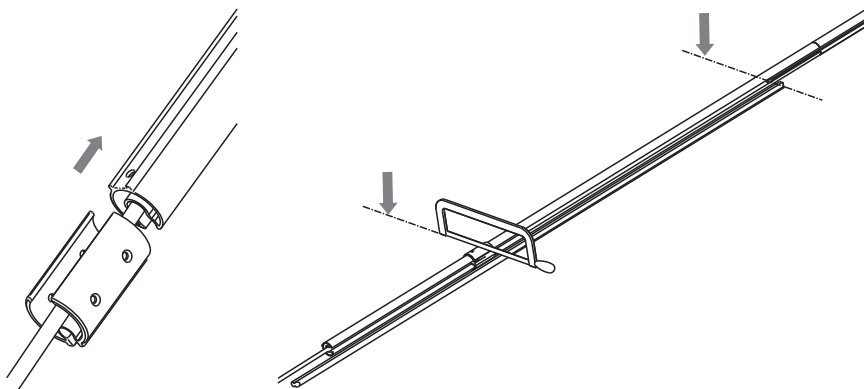
5.5 - ASSEMBLING THE BASE SPAR

- IMPORTANT: ensure the base spar is facing the right way (see diagram below)



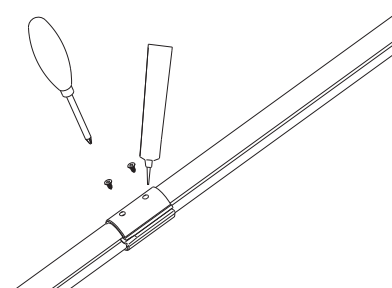
5.6 - CUTTING THE PVC LINER

- Slide the prefeeder into position from the bottom of the spar until it is in line with the holes in the spar (IMPORTANT: ensure that the prefeeder is the right way up)
- Insert a Ø3.9x9.5 screw
- Position a PVC liner, mark and cut to required length
- Remove the prefeeder and install the cut PVC liner



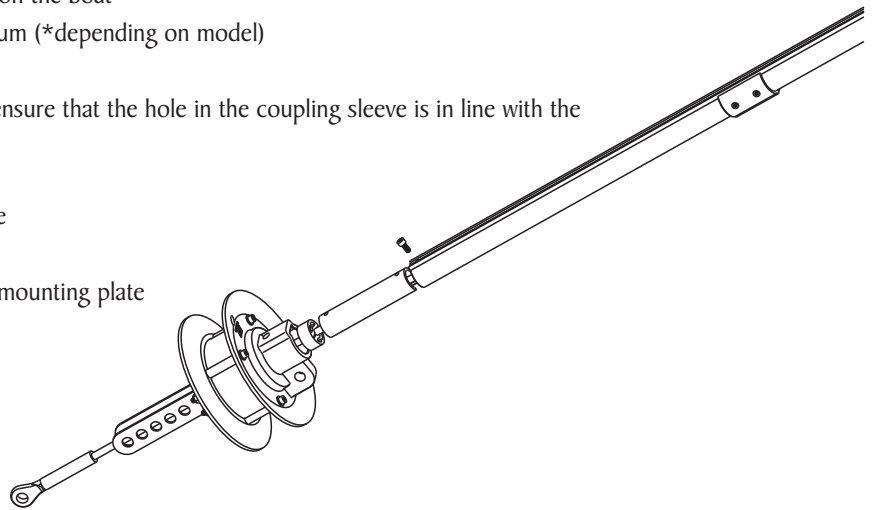
5.7 - INSTALLING THE BOLTROPE PREFEEDER

- Put the prefeeder back into position
- Put some silicone filler in the holes
- Insert and tighten the 4 Ø3,9x9,5 screws
- Wipe away any excess filler with a cloth



5.8 - ASSEMBLING THE DRUM UNIT

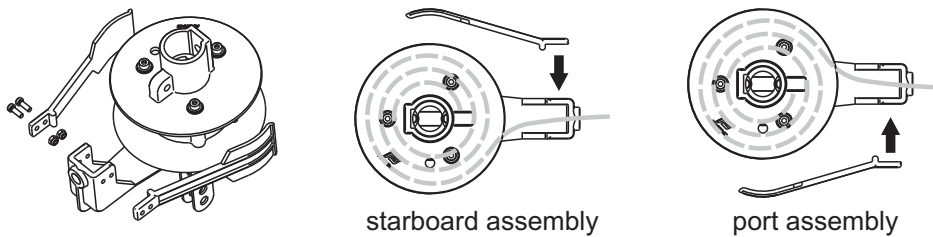
- Detach the forestay from its mounting plate on the boat
- Position the sleeve or turnbuckle* on the drum (*depending on model)
- Slide a bearing into the drum
- Insert a coupling sleeve into the base spar (ensure that the hole in the coupling sleeve is in line with the pre-drilled hole of the base spar)
- Insert the base spar into the drum unit
- Put some silicone filler in the pre-drilled hole
- Insert the M5x12 screw
- Attach the jib reefing system to the forward mounting plate
- Lower the halyard swivel
- Tighten the backstay



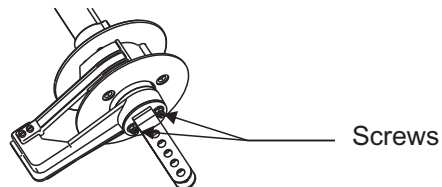
5.9 - ADJUSTING THE REEFING LINE FEEDERS

5.9.1 - 406-S model

- The reefing line feeder on the 406-S model is assembled either on the right or left hand side of the drum unit, depending on which direction you prefer to reef.
- To fasten the reefing line feeder, use the two M4x12 nuts and bolts

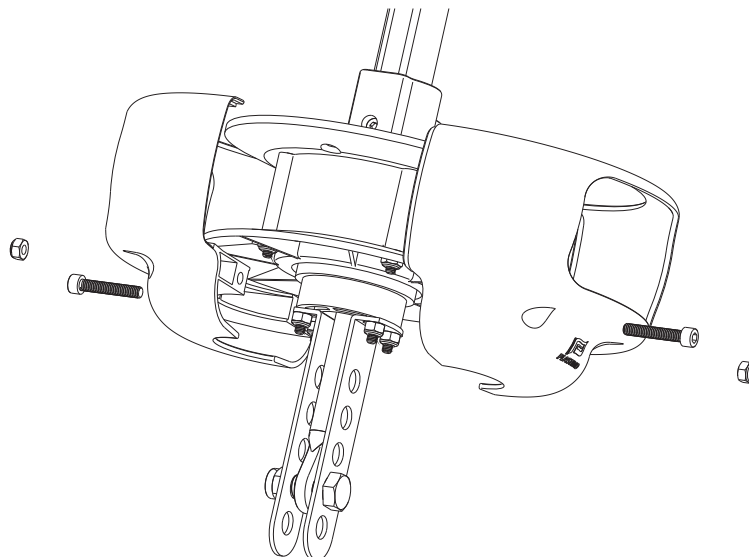


- The angle is adjusted by loosening the two screws that hold the chainplate.



5.9.2 - 609-S & 811-S models

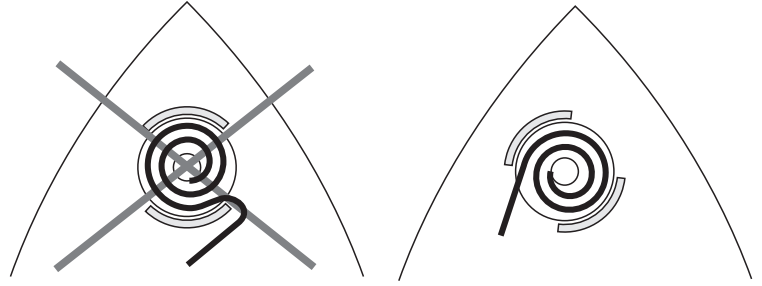
- The angle of reefing line feeders on 609-S & 811-S models is adjusted by loosening the two nuts and bolts (see diagram below)



6/ Recommendations

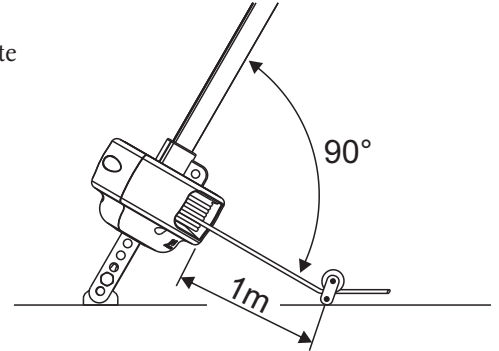
Reefing line feeders

The angle of all the reefing line feeders may be adjusted.
IMPORTANT: they should be positioned in a way that best suits the direction of pull on the line



Reefing line

The reefing line is wound around the drum. Only use pre-stretched rope in order to eliminate any elasticity
Refer to diagram below for the position of the reefing line as it comes out of the drum



Reefing direction of the genoa

The genoa should be reefed in the same direction as the strands turn on the forestay.

When you are not sailing

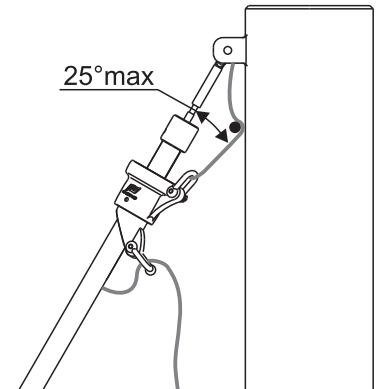
Slacken the backstay in order to reduce undue strain on mechanical parts

About the drum

When your genoa is fully reefed and in order to avoid direct strain on mechanical parts and on the knot of the reefing line, there should be a minimum length of one halyard turn on the drum.

Halyard/forestay angle

This angle should never be more than 20-25° as this makes it impossible to tauten and reef the sail.
What is more, this undue strain on the forestay could cause it to unravel and even dismast the boat.



When sailing

Ensure that the forestay is always taut. Not only will this make reefing easier but will avoid any danger of the forestay unravelling.
(We recommend putting a universal joint at the masthead)

Hauling on the genoa

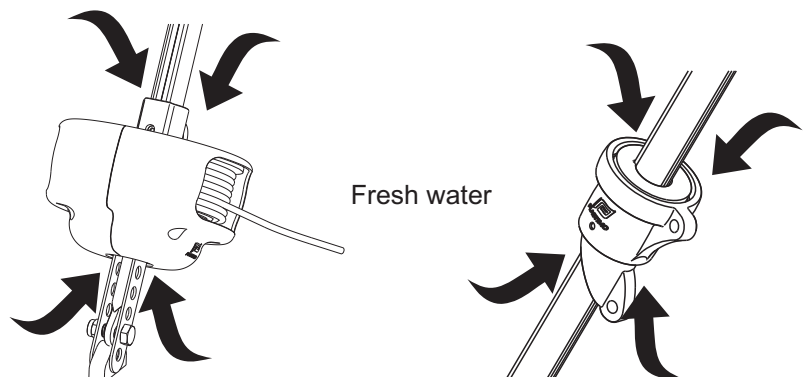
The reefing line should never be used to haul on the sail.

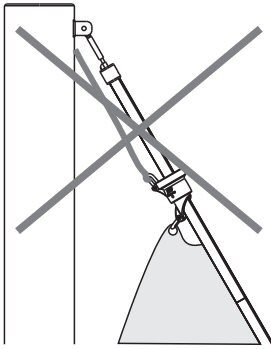
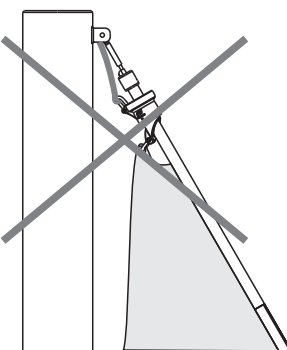
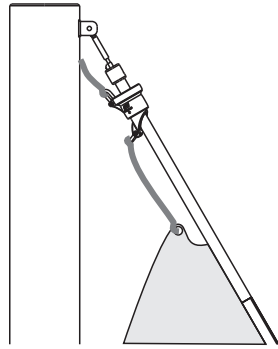
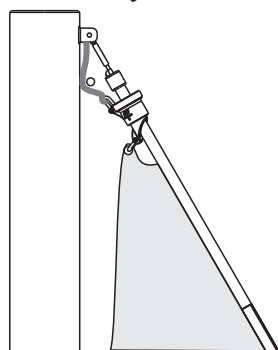
Unfurling the genoa

When unfurling the genoa, ensure that it does not unfurl too quickly by winding the reefing line once round a winch and feeding it out slowly in one hand and the genoa sheet in the other.

Maintenance

Rinse the drum unit and the halyard swivel once a year with fresh water (no dismantling required).
No other special maintenance is needed.



PROBLEM ENCOUNTERED	CAUSES	SOLUTIONS
Halyard turns with the halyard swivel	<ul style="list-style-type: none"> - Forestay not taut enough - Genoa halyard too slack - Genoa too short, halyard swivel too low  <ul style="list-style-type: none"> - Genoa halyard too close to the forestay 	<ul style="list-style-type: none"> - tighten the backstay - tauten the genoa halyard - Use a strop  <ul style="list-style-type: none"> - Fasten a halyard feeder to the mast or a diverter to the forestay 
The halyard tends to wrap itself around the spar when the genoa is hoisted	<ul style="list-style-type: none"> - Halyard is worn and thus twists in the direction of the rope strands 	<ul style="list-style-type: none"> - Change the halyard
Reefing line fouls	<ul style="list-style-type: none"> - Wrong angle on reefing line. First sheave too far from drum unit. - Genoa unfurled too quickly 	<ul style="list-style-type: none"> - Change position of first sheave - Slow down the unfurling of the genoa by winding the reefing line once round a winch.
Genoa difficult to hoist	<ul style="list-style-type: none"> - Poor output from a sheave. Halyard jammed - Luffrope too large 	<ul style="list-style-type: none"> - Try with a different halyard - Change luffrope

GB

7/ OPTIONAL EXTRAS

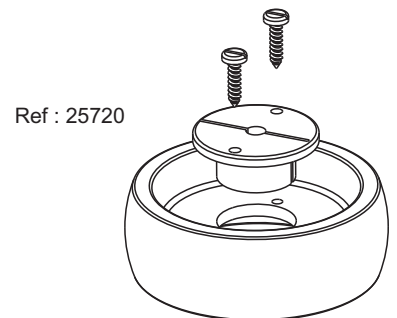
7.1 - HALYARD DIVERTERS

When the genoa is furled or unfurled, if the angle between the halyard and the forestay is too tight, the halyard risks being twisted round as the halyard swivel turns.

2 options are available to solve this problem:

7.1.1 : Halyard diverter wheel

To install the diverter wheel, it is necessary to dismantle the forestay



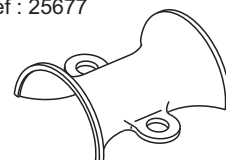
7.1.2 : Halyard feeder

To install the halyard feeder, it is not necessary to dismantle the forestay

2 sizes are available:

- ref 25677 : 609 et 811 models
- ref 26140 : 406 model

Ref : 25677



Ref : 26140



PLASTIMO RULLFOCKSYSTEM S-SERIE

406-S 609-S 811-S

MONTERINGSANVISNING FOR S-SERIEN

1/ Teknisk specefikation	3
2/ Beskrivning av de olika delarna	
2.1 - 406-S	4
2.2 - 609-S	5
2.3 - 811-S	6
3/ Läs detta innan montering påbörjas	
3.1 - Trummans exakta position	52
3.2 - Tips	53
3.3 - Val av montering	53
4/ Nödvändiga verktyg	53
5/ Montering på demonterat förstag	53
5.1 - Demontering av förstag	53
5.2 - Montering av rullfocken	54
5.3 - Kapning av sista profilen	55
5.4 - Montering av toppdelen	55
6/ Montering direkt på riggad båt	56
6.1 - Mätning av förstagets längd	56
6.2 - Kapa den sista profilen	57
6.3 - Montering av toppdelen	57
6.4 - Montering av profilerna	57
6.5 - Montering av basprofilen	58
6.6 - Kapning av sista plastprofilen	58
6.7 - Montering av segelinmataren	58
6.8 - Montering av trumman	59
6.9 - Justering av revlinan	59
7/ Rekommendationer	60
8/ Extra tillbehör	61
8.1 - Fallavledare	61
9/ Extra profiler	
406-S	72
609-S	73
811-S	74

3/ LÄS DETTA INNNAN MONTERING PÅBÖRJAS

3.1 - TRUMMANS EXAKTA POSITION

För att få reda på trummans exakta läge. Ta trumman och förstag till båten. (Om båten är riggad, spänn ett fall till fören och lossa förstaget).

Trä förstaget genom trumman. Om vantskruv används och den ej går igenom trumman, lossa den från förstaget, trä igenom trumman och montera tillbaka vantskruven på andra sidan. (Montera tillbaka förstaget på båten). Välj något av nedanstående alternativ!

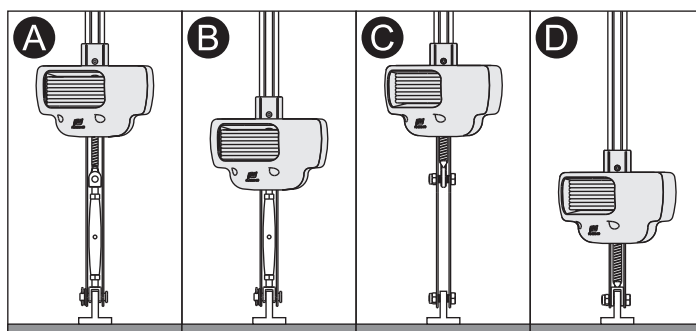
Alt.A. Standardmontering där vantskruven rymms under trumman. Monterings-beslagen kapas vid behov.

Alt.B. Montering där vantskruven går upp i trumman. Vid detta alternativ måste kontrolleras att vantskruven går fritt inne i trumman. Får inte vantskruven inte plats, byt ej ut den mot en mindre utan att rådgöra med din leverantör, för att få en vantskruv som är rätt dimensionerad.

Kan även innebära att förstaget måste bytas. Är den marginellt för stor kan det räcka att runda av hörnen med en fil.

Alt.C. Montering utan vantskruv där förstaget fästs i monteringsbeslagens hål. Mastens lutning kan justeras genom att välja olika hål i beslagen.

Alt.D. Montering där låg placering prioriterats. Monteringsbeslagen kapas till önskad längd. Kontrollera att trumman går fri från pulpit och dyliskt. Om denna montering är önskas och man har vantskruv, får ev. förstaget bytas.



3.2 - TIPS

- I de läge monteringsbeslagen ska kapas, rekommenderas att man sågar tvärs av i hålen under de man valt att montera i. Runda av ev. vassa kanter med en fil.
- Rekommendation. Det är bra om förstaget är ledat i bägge riktningar (framåt-bakåt, sidled) både upp och nedtill. Kan avhjälpas med extra toggles.
- Ta gärna med hela förstaget och trumman till segelmakaren vid beställning av segeländring eller nytt segel.
- Måttet A,B och D, som är angivna på skisserna sid 3-5, är standard maxmått. Om standardlängden ej räcker, kan vid behov 1 (ev. 2) extraprofil a` 1,5m monteras.

3.3 - VAL AV MONTERING

Alt. 1 Förstaget liggande på marken.

Vi rekommenderar denna metod då den är snabbare och, om båten redan är avriggad, dessutom enklare. Kan utföras av en person (minst två, om förstaget måste lossas från riggad båt) I anvisningen senare beskrivs hur man lossar förstaget resp. monterar det igen på riggad båt. Hoppa över de detaljerna om båten är avriggad. Går förstaget ej att lossa från masten, använd metoden "Montering direkt på riggad båt"

Vid påmastning ska förstaget med rullflocksystemet vara fäst i toppen som vanligt. Hantera dock profilerna varsamt så de ej böjer sig extremt mycket.

Alt. 2 Montering direkt på riggad båt

Kan utföras av en person. Förstaget skall ej lossas från toppen av masten. Man ska ej behöva klättra upp i masten. Glöm ej, vid de tillfällen förstaget ska lossas från däck, att masten är säkrad med ett fall eller dylikt till fören.

4/ NÖDVÄNDIGA VERKTYG

- 1 Hammare
- 1 Tång
- 1 Båtmanstol (Plastimo)
- 1 Insexnyckel 4mm
- 1 Hand eller elborrmaskin
- 1 4mm borrh
- 1 Måttband
- 1 Skruvmejsel
- Silicontub
- 1 Bågfil

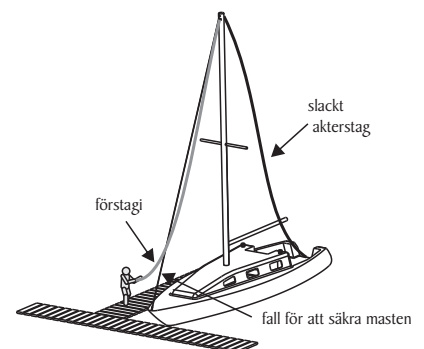
5 - MONTERING PÅ DEMONTERAT FÖRSTAG

- Denna metod görs på förstag liggande på marken.
 - Vi rekommenderar denna metod för att den är snabbare.
 - Om båten är riggad och förstaget ej går att lossa ifrån masten, använd metoden "På riggad båt" (se sid 56)
- Följ anvisningarna steg för steg
Om båten redan är avriggad, gå direkt till stycke "Montering av rullflocksystemet" sid 54.

5.1 - NEDMONTERING AV FÖRSTAG :

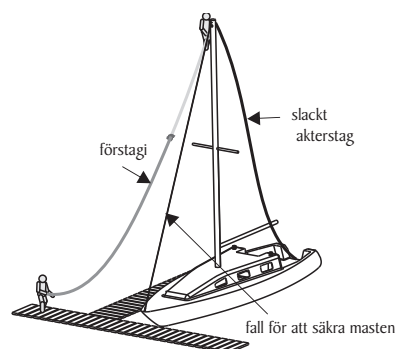
5.1.1 - Nedre del

- Slacka på akterstaget
- Säkra masten föröver med ett eller två fall
- Sträck upp fallen för att få lite slack på förstaget
- Släpp om nödvändigt några varv på vantskruven och notera hur många varv som släppts.
- Lös gör förstaget nedtill



5.1.2 - Övre del

- Skicka upp en person i båtmanstolen (utrustad med hammare, tång och skruvmejsel)
- Demontera förstaget från masten
- Fira ned personen och förstaget

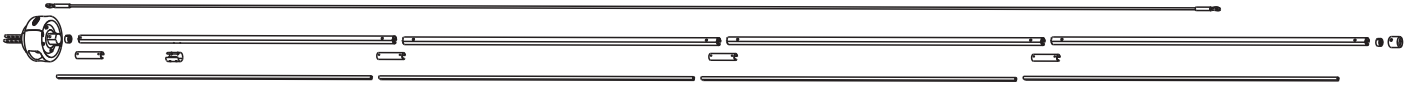


5.2 - MONTERING AV RULLFOCKSYSTEM

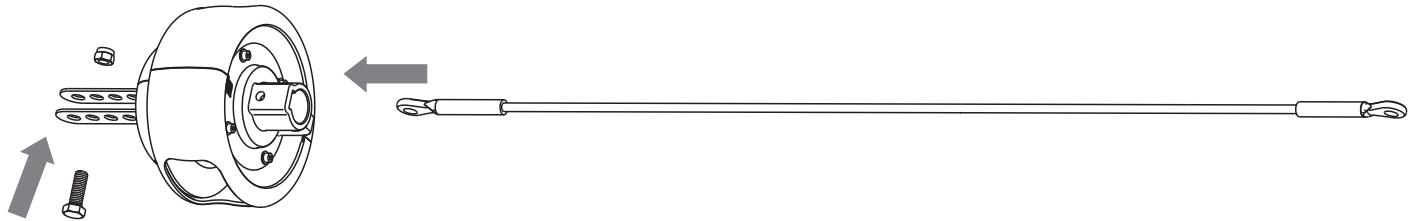
- Sträck ut förstaget på marken



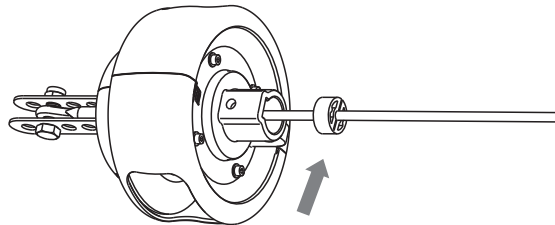
- Placera delarna i ordning längs förstaget



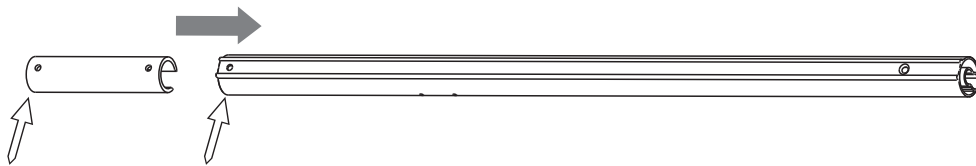
- Montera trumman på förstaget enligt tidigare vald placering, och montera riggbulten.



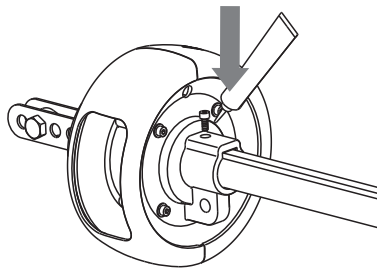
- Trä en lagring på förstaget och skjut ner den så långt det går i trumman. Särna på spåret för att få den över förstaget.



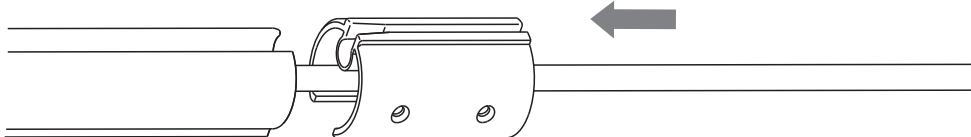
- Skjut in ett skarvstycke helt i bottenprofilen i nederändan som skall in i trumman, d.v.s den ända där det borrade hålet ligger ca 10mm från kanten. Hålet i skarvstycket ska stämma med hålet i profilen.



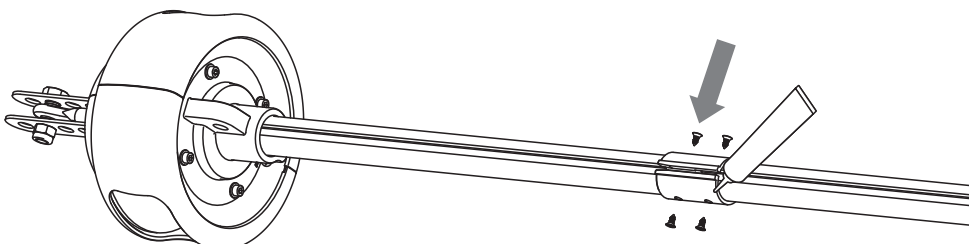
- Skjut in ett skarvstycke helt i bottenprofilen i nederändan som skall in i trumman, d.v.s den ända där det borrade hålet ligger ca 10mm från kanten. Hålet i skarvstycket ska stämma med hålet i profilen.



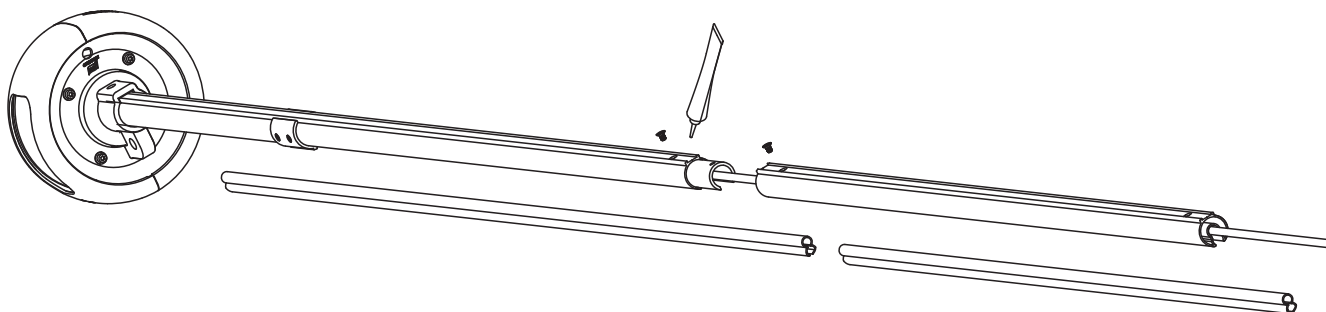
- Trä på segelinmataren. Den ände där springan är något bredare ska vara nedåt.



- Montera med 4 skruv 3,9x9,5 (liten klick silicon i hålen först)



- Skjut in ett skarvstycke till hälften så hålen stämmer överens, kontrollera att inget skräp finns i gängan. Liten klick silicon i hålet och montera en M5x8 skruv (dra ej åt, då det kan bli svårt med nästa skruv).
- Montera nästa aluminiumprofil, en liten klick silicon i hålet och montera med M5x8 skruv. Nu skall båda skruvar dras. Torka bort överflödigt silicon med en trasa.
- Kläm på en plastprofil på förstaget så det hamnar i det innersta hålrummet. Särta försiktigt på profilen och tryck till. Skjut profilen in i aluminiumprofilen tills plastprofilen bottnar mot segelinmataren.
- Montera resterande profiler, varannan plast resp. aluminium, på samma sätt tills sista profilen återstår. (kontrollera att plastprofilerna trycks mot varandra och ner mot segelinmataren)

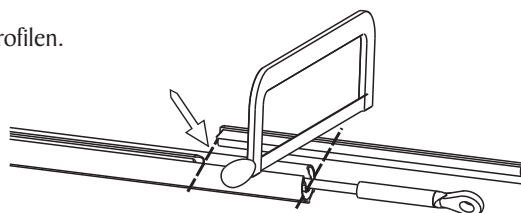


5.3 - Kapning av sista profilen

- Lägg sista aluminiumprofilen kant i kant mot den sist monterade.
- Märk profilen 5cm från ändstycket på förstaget.
- Kapa profilen så rakt som möjligt med bågfilen, vid märkningen.
- Montera profilen på samma sätt som tidigare.

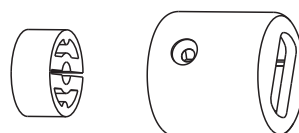


- Lägg sista plastprofilen kant i kant med den sist monterade.
- Märk där aluminiumprofilen slutar.
- Kapa och montera den sista plastprofilen.

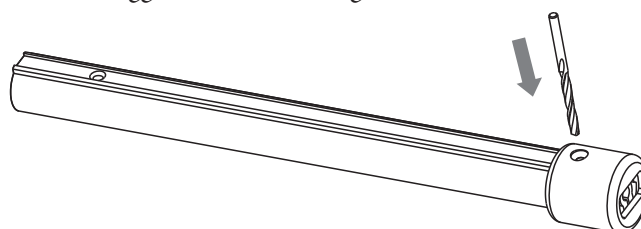


4.4 - Montering av toppdelen

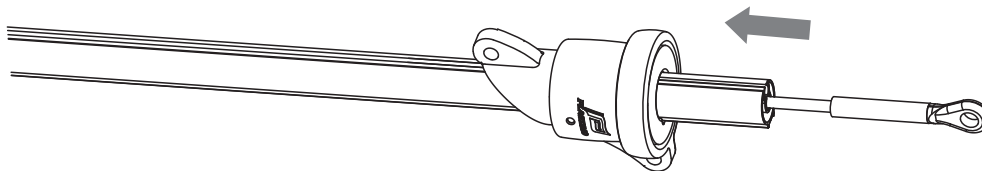
- Trä på den andra lagringen på förstaget. Särta försiktigt på den för att få den runt förstaget.



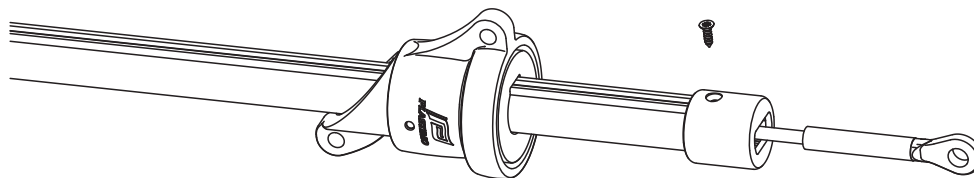
- Trä på toppdelen över aluminiumprofilen
 - Borra ett 4mm hål enligt bild, och ta sedan av toppdelen igen.
- VIKTIGT! Borra endast genom yttre aluminiumväggen annars kan förstaget skadas.



- Skjut på fallsvirveln över profilen. VIKTIGT, den måste hamna åt rätt håll, den snedkapade delen mot trumman (texten rättvänd). Se figur.



- Sätt tillbaka toppdelen och lagringen.
- En liten klick silicon i hålet
- Montera och dra åt skruv 4,8x12,7



- Systemet är nu monterat på förstaget. Är båten avriggad, montera förstaget på masten och rigga den som vanligt. Hantera profilerna varsamt så de ej böjer sig extremt mycket. Är bbåten riggad, fäst en lång lina (minst lika lång som masten) i övre delen av förstaget. Undvik att använda hålet i ändstycket. Hissa upp en man i båtmanstolen i masten, med skruvmejsel, hammare och tång. Låt honom dra upp hela paketet (eller använd reservfall). Montera förstaget som tidigare. Fäst förstag/rullflock i däcksfästet och spänn upp masten. Gå vidare i instruktion till sidan 97 "Justering av revlineinförare"



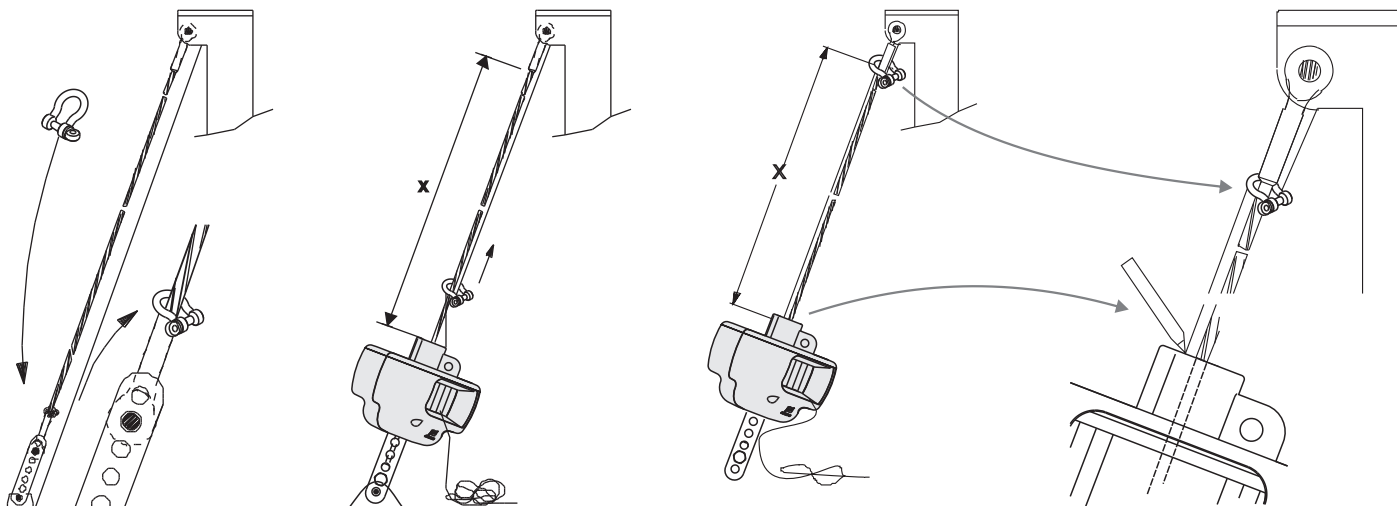
6/ MONTERING PÅ RIGGAD BÅT

- Denna metod kan utföras av en person
- Det är ej nödvändigt att lossa något från masten

6.1 - MÄTNING AV FÖRSTAG

För att rullflocken ska bli rätt monterad är det nödvändigt att veta längden "X" (se figur)

- Sätt en liten schackel runt förstaget (så liten att den ej går att trä över ändstycket)
- Slacka lite på häckstaget
- Säkra masten framåt med ett fall
- Lossa förstaget nertill
- Trä på trumman och få den i sitt valda läge
- Montera tillbaka förstaget
- Lossa fallet och sträck upp häckstaget
- Fäst fallet i schackeln
- Fäst en lång tamp (längre än förstaget beräknas vara) i schackeln
- Hissa upp fallet tills schackeln tar i ändstycket i toppen
- Märk på tampen vid toppen av trumman (kolla att tampen ligger parallellt med förstaget men att den ej töjer sig)
- Dra ner tampen och schackeln



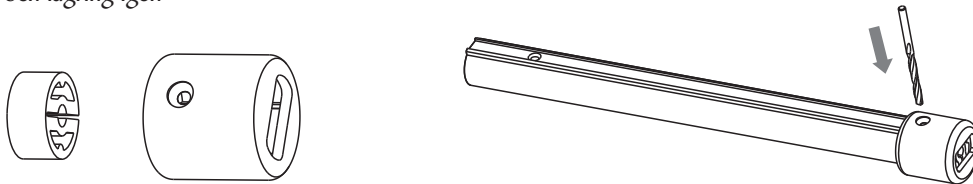
6.2 - KAPA DEN ÖVERSTA ALUMINIUMPROFILEN

- Sträck ut den märkta tampen på marken
- Läg ut aluminiumprofilerna kant i kant med varandra längs tampen (Obs, lägg bottenprofilen längst "ner" mot schackeln)
- Märk på "översta" profilen i nivå med märket på tampen
- Dra av ytterligare 3cm (säkerhetsmarginal) och kapa av profilen med bågfil så rakt som möjligt.



6.3 - MONTERING AV TOPPDELEN

- Toppdelen ska monteras på aluminiumprofilen där den just kapats.
- a) Stoppa in en lagring i toppdelen
- b) Trä hela delen över änden på profilen
- c) Borra ett 4mm hål enligt figuren nedan. VIKTIGT; Borra endast genom aluminiumprofilens yttervägg.
- d) Ta isär toppdel och lagring igen

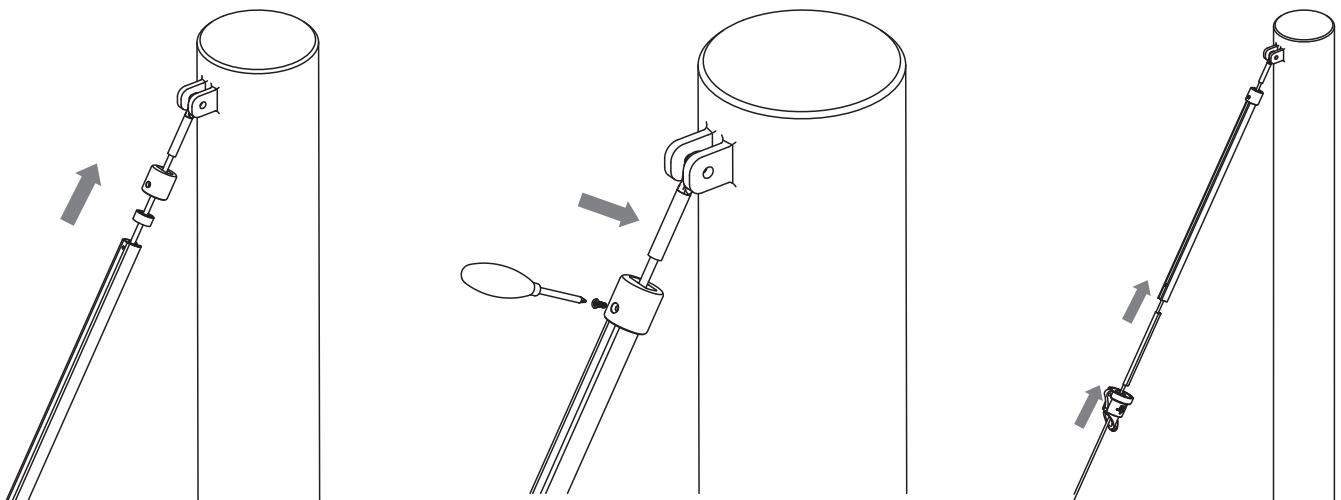


6.4 - MONTERING AV PROFILERNA

Lossa förstaget (Säkra med fall som tidigare)

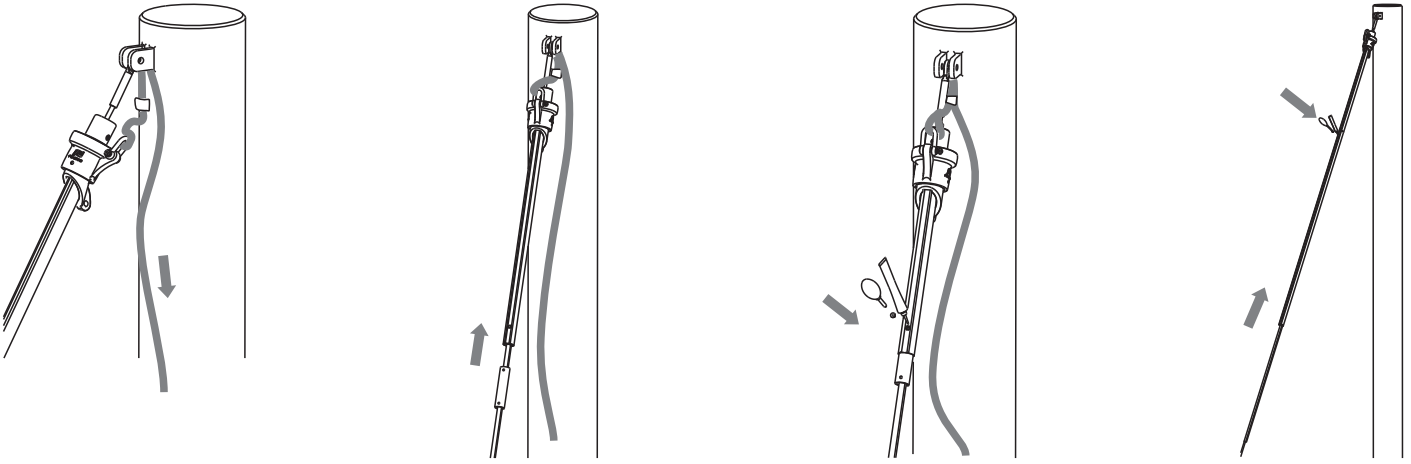
Trä på förstaget i ordning som följer /

- Toppdelen
- Lagringen (sära försiktigt för att få den runt staget)
- Kapade profilen (kapningen uppåt)
- Tryck toppdelen ned över profilen
- Lite silicon i hålet och montera med spårskruv 4,2x12,7
- Kläm på plastprofil så förstaget hamnar i inre hålrummet och skjut upp i aluminiumprofilen (sära på den för att få den runt staget)
- Fallsvirveln (VIKTIGT att den hamnar åt rätt håll. Snedkapade delen nedåt, texten rättvänd, Se figur)



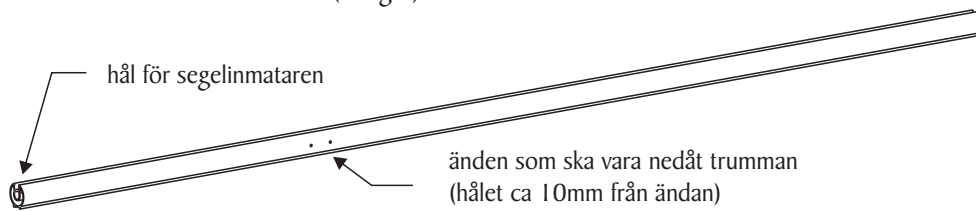
- Montera tillbaka förstaget i däcksfästet
- Kroka i fallet i fallsvirveln för att hissa upp profilerna efter hand.
- Skjut i ett skarvstycke till hälften i profilen så hålen hamnar mitt för varandra
- Lägg en liten klick silicon i hålet
- Montera med spårskruv M5x8
- Skjut nästa profil över skarvstycket
- Silicon i hålet och montera med skruv M5x8
- Torka bort överflödigt silicon med en trasa
- Hissa upp profilerna efter hand
- Trä på en plastprofil och skjut upp i aluminium profilerna så långt det går

- - Upprepa momenten tills alla profiler utom bottenprofilen är monterade



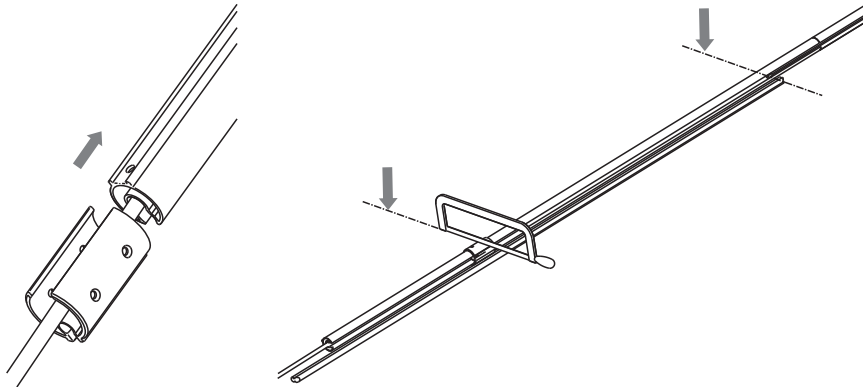
6.5 - MONTERING AV BASPROFILEN

☛ VIKTIGT : Basprofilen ska monteras rätt sida ned (se figur)



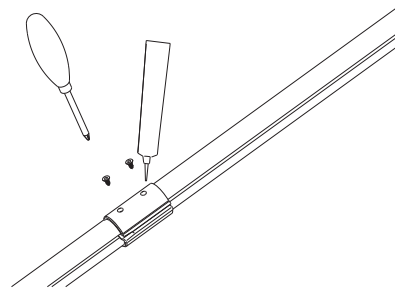
6.6 - Kapning av sista plastprofilen

- Skjut på segelinmataren från botten av profilen tills den hamnar i nivå med hålen. (Viktigt att den hamnar åt rätt håll. Den ände där springan är något bredare ska vara nedåt).
- Montera en skruv 3,9x9,5 tillfälligt för att fixera inmataren
- Lägg sista plastprofilen intill monterad profil så att överkanten hamnar kant i kant med den sist monterade plastprofilen. Märk i nivå med inre överkant på segelinmataren. Kapa vid märket.
- Ta bort segelinmataren igen och trä på den kapade plastprofilen



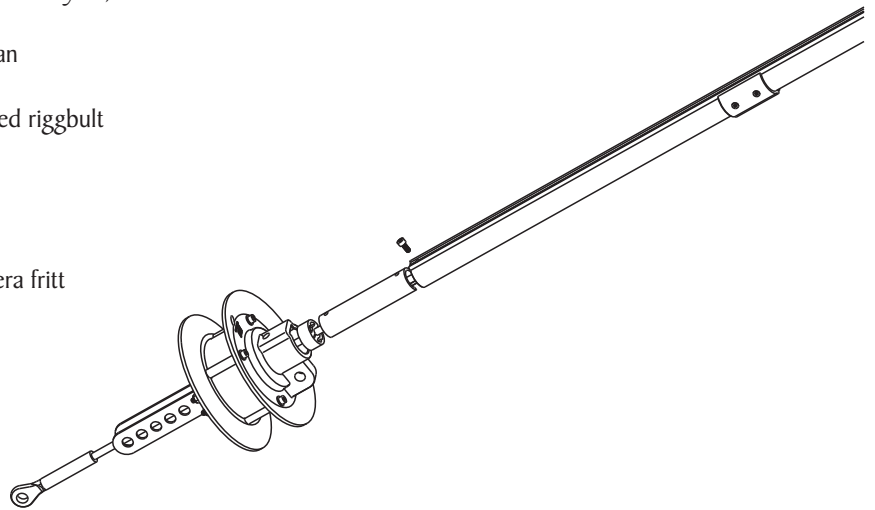
6.7 - MONTERING AV SEGELINMATAREN

- Sätt tillbaka segelinmataren i läge
- Lägg lite silicon i hålen
- Montera med de 4 spårskruv 3,9x9,5
- Torka bort överflödigt silicon med en trasa



6.8 - MONTERING AV TRUMMAN

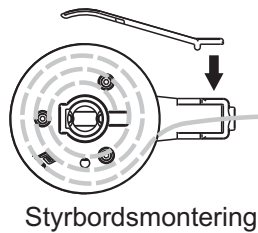
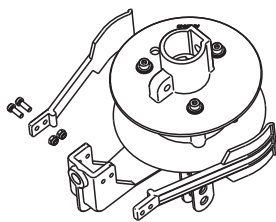
- Lossa förstaget igen (glöm ej säkra med fall eler dylikt)
- Trä på trumman
- Trä på en lagring och skjut ned den i trumman
- Skjut ner basprofilen i trumman
- Montera fast förstag/trumma i däcksfästet med riggbult
- Lägg lite silicon i hålet
- Montera insexskruven
- Släpp ned fallet med fallsvirveln
- Spänn upp riggen
- Kontrollera att trumman och profiler kan rotera fritt



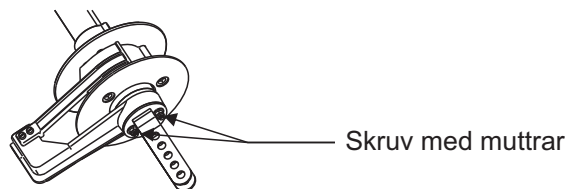
6.9 - JUSTERING AV REVLINER STYRNINGEN

6.9.1 - 406S modellen

- Revlinestyran på 406 kan monteras på styrbord eller babords sida beroende på vilket håll linan löper in
- Montera de två skruvarna M4x12 och muttrarna

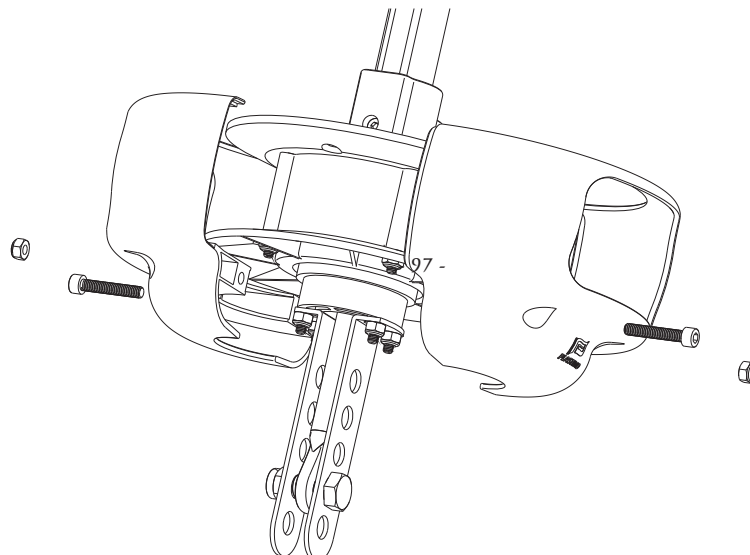


- Justera vinkeln genom att lossa de två muttrarna som håller de rostfria beslagen. Vrid i position och dra åt skruvarna igen.



6.9.2 - 609S / 811S modellerna

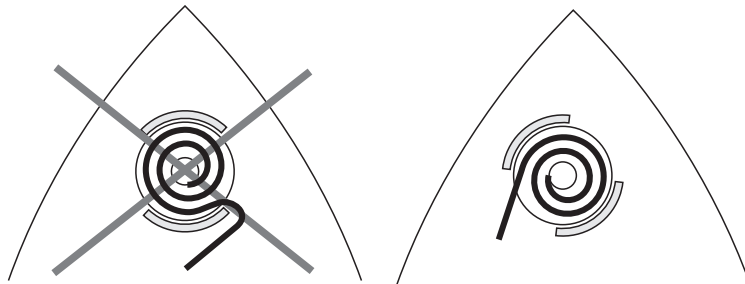
- Lossa de två bultarna lite och vrid trumsidorna i position. Dra åt bultarna igen.



7/ REKOMMENDATIONER

☛ Revlinestyran

Vinkeln på revlinestyran bör justeras enligt bild nedan.



☛ Revlina

- Revlinan ska lindas upp på trumman enligt figur. Använd försträckt lina för att undvika tøj.

☛ Revriktning av segel

Seglet bör rullas in runt profilerna medurs.

☛ När man inte seglar

Slacka gärna på akterstaget.

☛ Om trumman

När seglet är fullt revat och för att undvika påfrestningar av mekaniska delar samt knopen på revlinan, bör det finnas några varv kvar runt trumman.

☛ Vinkel förstag / fall

- Denna vinkel bör ej vara mer än 20-25 grader då det annars kan vara svårt att sträcka upp seglet. Det kan också medföra så stora påfrestningar på förstaget att det förstörs.

☛ Vid segling

Förstaget skall alltid vara sträckt. Inte bara för att det ska vara lättare att reva utan att även undvika skada på förstaget.

☛ Skotning av seglet

Använd aldrig revlinan som skot.

☛ Vid utdragning av seglet

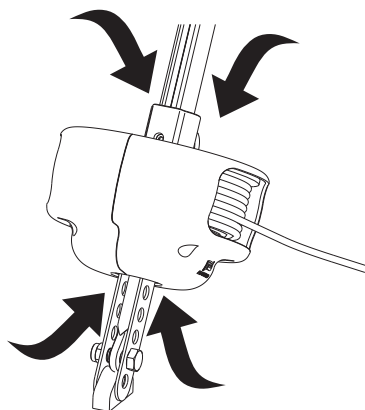
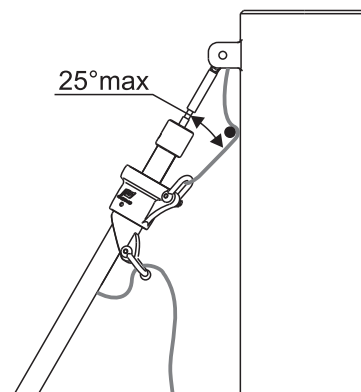
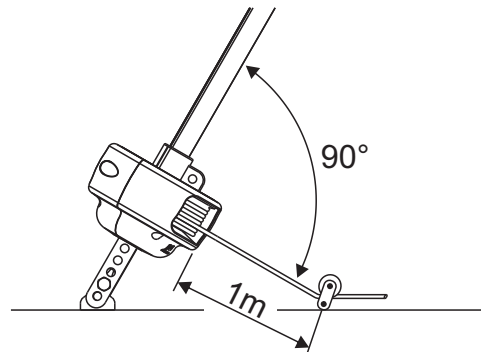
Släpp inte ut seglet för snabbt, håll emot i revlina exempelvis runt en winch med ena handen och skotet i den andra, för att få en jämn upprullning av revlinan.

☛ Vid upprullning av seglet

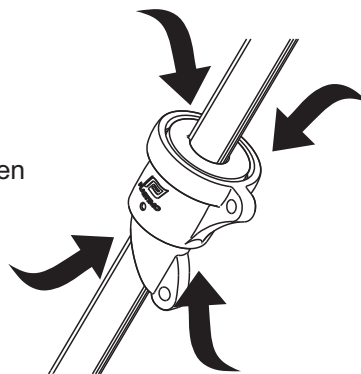
Behöver man inte använda winch. Går det trögt, undersök orsak.

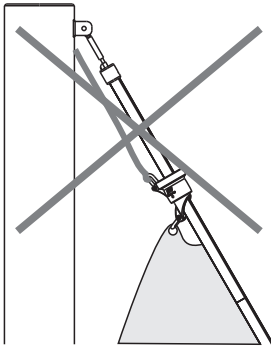
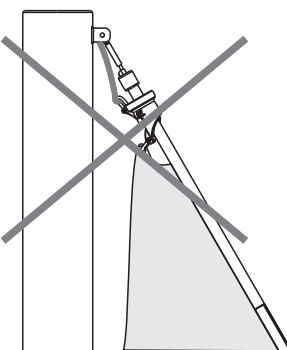
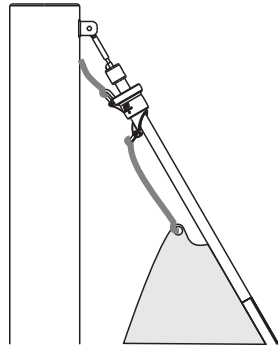
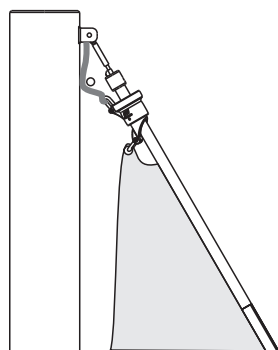
☛ Underhåll

Skölj trumman en gång om året med färskvatten (ingen demontering behövs). Inget annat speciellt underhåll är nödvändigt.



Färsk vatten



PROBLEM	ORSAK	LÖSNING
Fallet följer med svirveln runt	<ul style="list-style-type: none"> - Slakt förstag - Fallet slakt - Seglet kort. Svirveln för lågt  <ul style="list-style-type: none"> - Fallet för nära förstaget 	<ul style="list-style-type: none"> - Spänn förstaget - Sträck fallet - Förläng med stropp mellan segel och svirvel  <ul style="list-style-type: none"> - Montera fallavledare 
Revlinan trasslar	<ul style="list-style-type: none"> - Fel vinkel på revlinan Första blocket för långt från trumman - Seglet dras ut för snabbt 	<ul style="list-style-type: none"> - Justera läget på första blocket -Håll emot. Lägg revlinan runt en winch
Seglet svårt att hissa	<ul style="list-style-type: none"> - Fallet går trögt - Likdiametern för stor 	<ul style="list-style-type: none"> - Undersök fall & block - Byt liklina

8/ EXTRA TILLBEHÖR

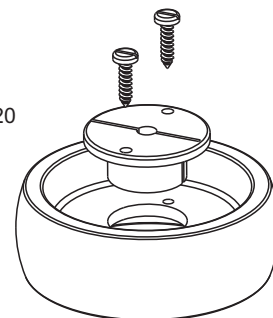
8.1 - FALLAVLEDARE

- Om vinkeln mellan fallet och förstaget är för liten (minst 10 grader) finns risk att fallet snor sig runt förstaget när svirveln roterar.
- Två varianter fallavledare finns att tillgå

8.1.1 : Fallavledartrissa

- Monteras runt förstaget ovanför översta profilen. Förstaget måste lossas för att träs på.

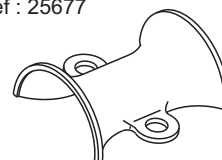
Ref : 25720



8.1.2 : Fallavledare

- Monteras på masten med nit. Två storlekar finns att tillgå.
- Vi rekommenderar :
 - ref 25677 : 609 et 811
 - ref 26140 : 406

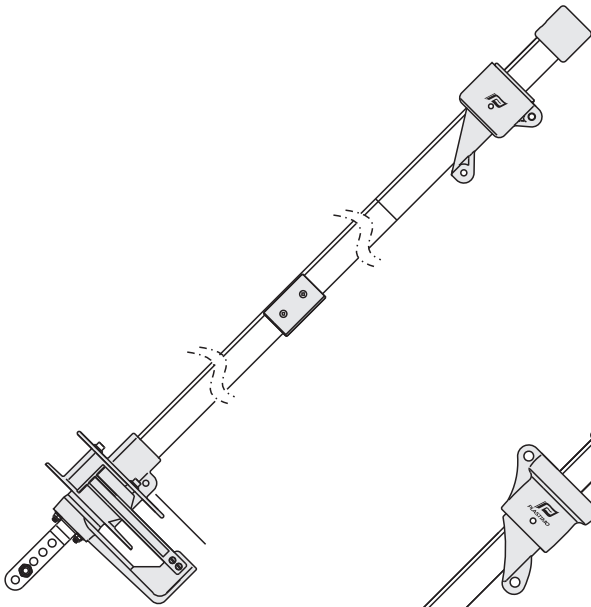
Ref : 25677



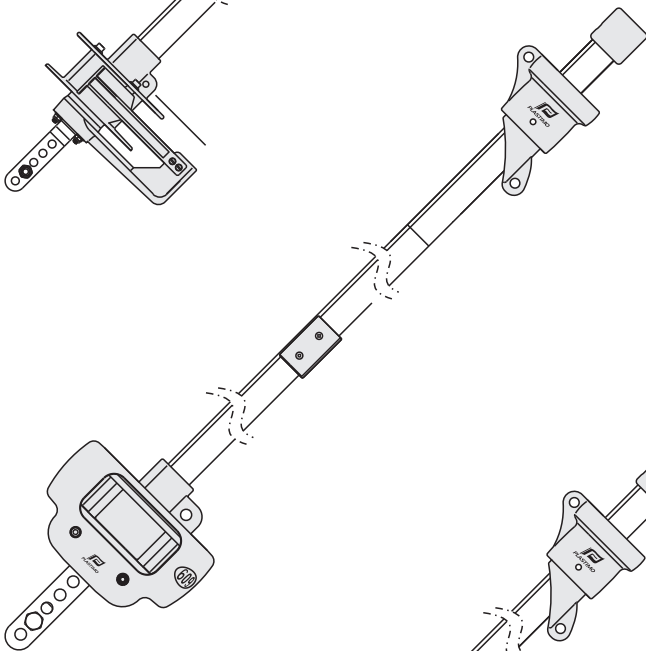
Ref : 26140



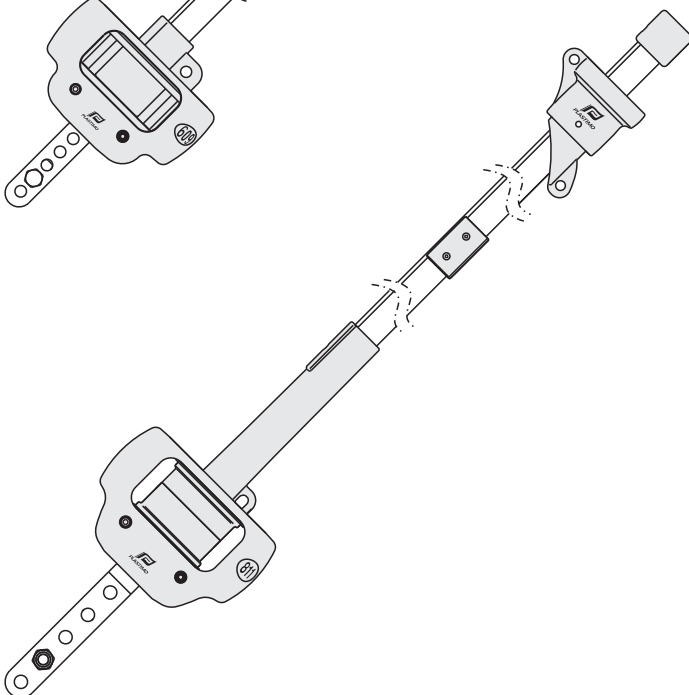
GB - Spare parts
F - Pièces détachées
D - Ersatzteile
NL - Onderdelen
E - Piezas de recambio
S - Extra profiler
I - Pezzi staccati



406-S

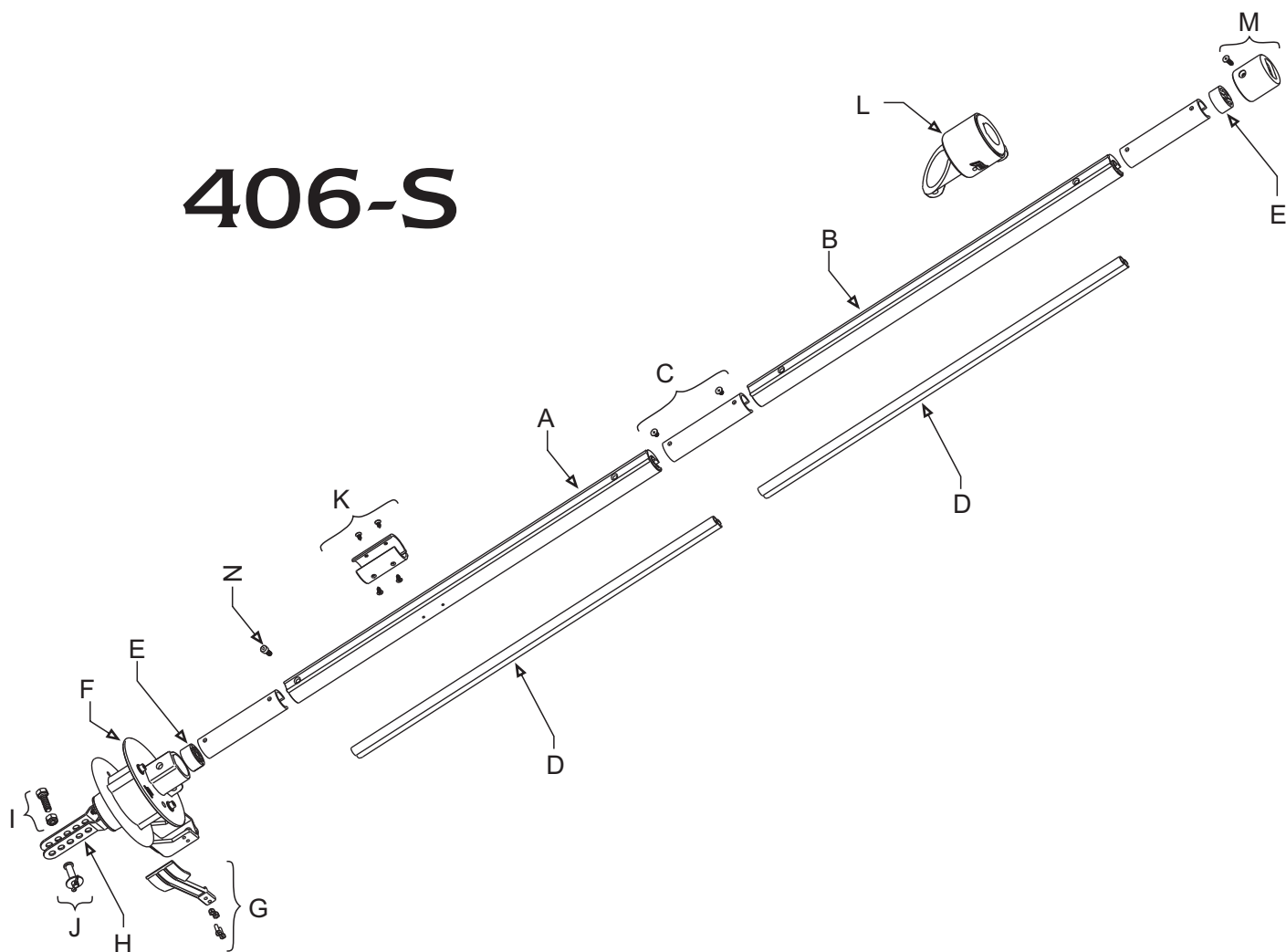


607-S



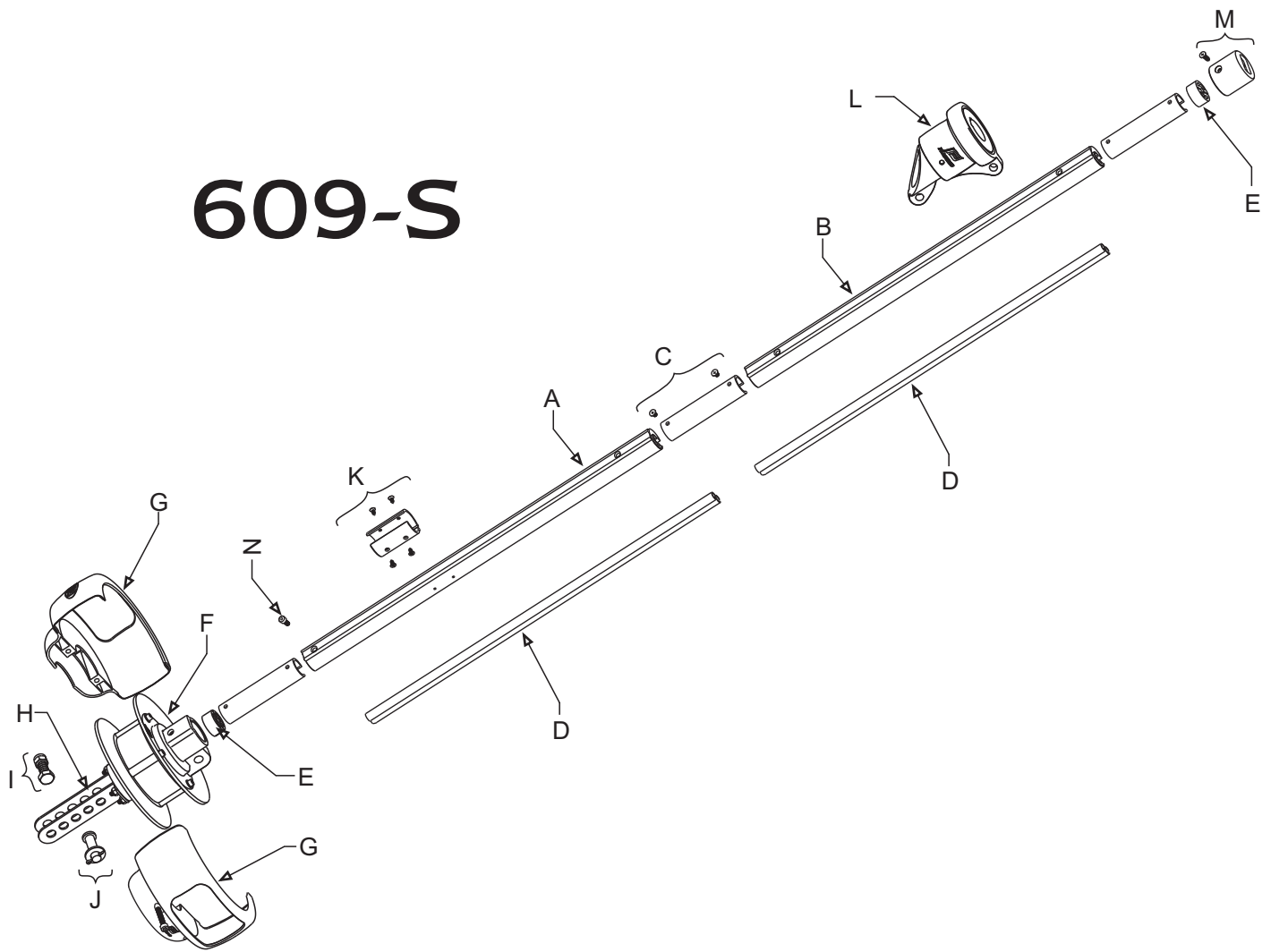
811-S

406-S



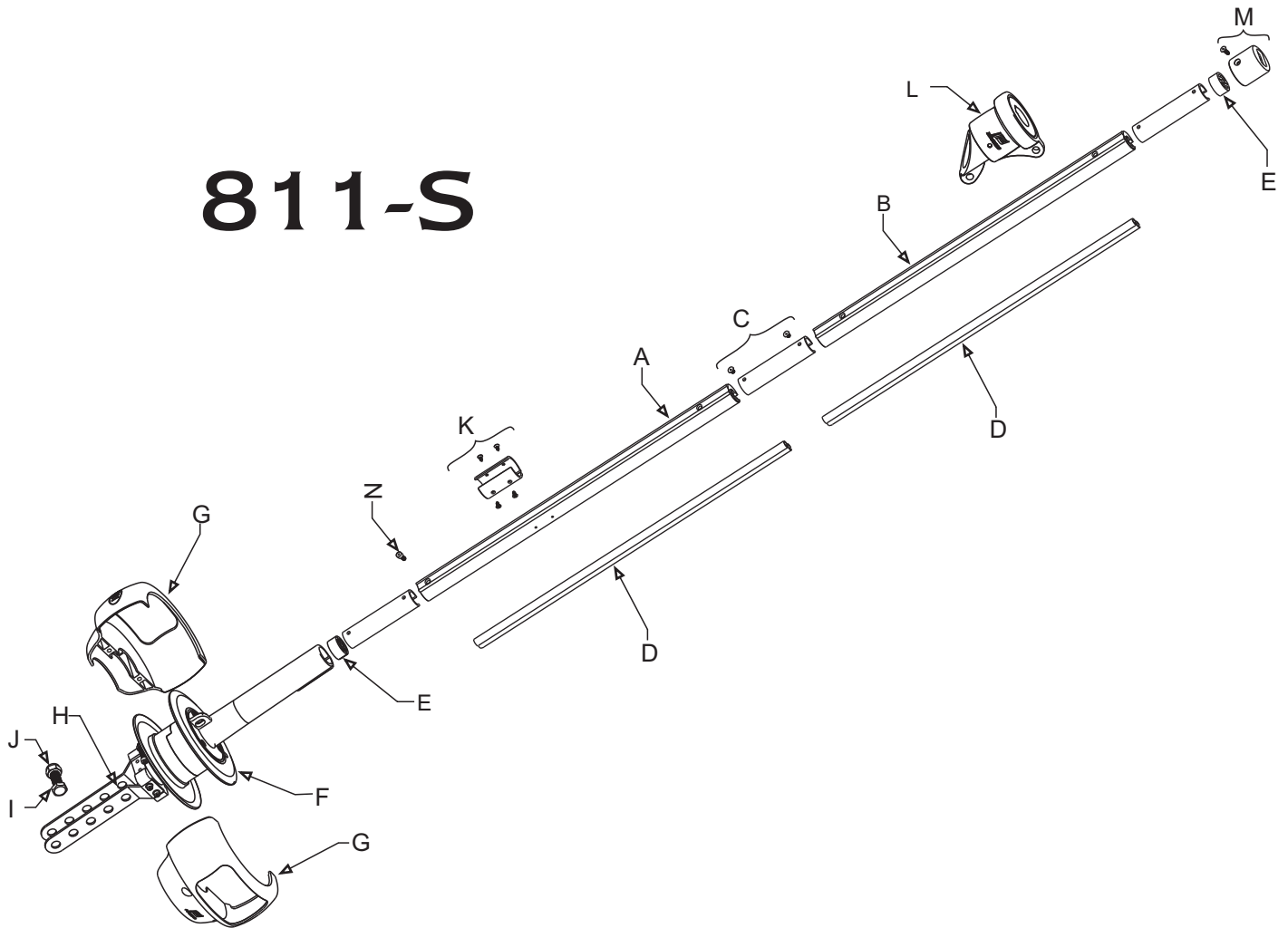
	REF	25722	25723	GB	F	D	NL	E	S	I
A	25752	1	1	base spar	Profil bas aluminium	unteres Profil	basisprofiel	perfil bajo	Bottenprofil	profilato basso
B	25392	3	3	Intermediate spars	Profil intermediaire aluminium	Zwischenprofile	standaardprofielen	Perfiles intermedios	Standard profiler	Profilati intermedi
C	25384	4	4	Coupling sleeves	Jonction aluminium	Verbindungsstücke	koppelstukken	piezas de uniones	Skarvstycken	Pezzi di giunzione
D	26179	4	4	PVC liners	Profil PVC	PVC-Profile	PVC binnenprofielen	Perfiles PVC	Innerprofil i PVC	Profilati PVC
E	22827	2	2	bearings Ø31	Palier Ø31	Stopper Ø31	lagers Ø31	cojinetes Ø31	Lagringar Ø31	Supporti Ø31
F	10001	1	1	drum unit	tambour 406	Trommel	roltrommel	conjunto tambor	Trumma	insieme tamburo
G	26324	1	1	line feeder	tendeur de drosse	reflleinenhalter	val tensor	guia maniobra	revlinematare	guide frenello
H	26325	1		Chainplates 5 holes	Lattes accrochage 5 trous	Lochschengel 5 loecher	Spannerplatten 5 gaten	Placas tensor 5 taladros	Rostfria monteringsbeslag 5 hal	Landre d'aggancio 5 fori
	21308		1	Chainplates 11 holes	Lattes accrochage 11 trous	Lochschengel 11 loecher	Spannerplatten 11 gaten	Placas tensor 11 taladros	Rostfria monteringsbeslag 11 hal	Landre d'aggancio 11 fori
I	58242	1		screw+nut M8x35	Kit vis TH M8x25 + écrou	Schraube+Mutter M8x35	bount+moer M8x35	tornillo + tuerca M8x35	1 insex M8x35	1 Vite M8x35 Modello Landre
J	58243		1	Shouldered clevis pin Ø8	Kit axe Ø8 + goupille + rondelle	Bolzen, dick Ø8	pen Ø8	Bulón Ø8	Riggbult Ø8	Asse a testa Ø8
K	22844	1	1	boltrope prefeeder	Guide ralingue	Liekeinführung	voorlijkinvoer	guía relinga	Segelinmatare	guida ralinga
L	17067	1	1	halyard swivel	Emerillon	Fallwirbel	valwartel	giratorio	Fallsvirvel	mulinello
M	26321	1	1	top end stop	Embout profil	Profilansatzstück	top eind stuk	terminal tope	Toppdel	Terminale profilato
N	25674	1	1	screw M5x12	Vis CHC M5x12	Schraube M5x12	schroef M5x12	tornillo M5x12	insex M5x12	vite a brugola M5x12

609-S



	REF	58202	58203	GB	F	D	NL	E	S	I
A	25752	1	1	base spar	Profil bas aluminium	unteres Profil	basisprofiel	perfil bajo	Bottenprofil	profilato basso
B	25392	5	5	Intermediate spars	Profil intermediaire aluminium	Zwischenprofile	standaardprofielen	Perfiles intermedios	Standard profiler	Profilati intermedi
C	25384	6	6	Coupling sleeves	Jonction aluminium	Verbindungsstücke	koppelstukken	piezas de uniones	Skarvstycken	Pezzi di giunzione
D	26179	6	6	PVC liners	Profil PVC	PVC-Profile	PVC binnenprofielen	Perfiles PVC	Innerprofil i PVC	Profilati PVC
E	22827	2	2	bearings Ø31	Palier Ø31	Stopper Ø31	lagers Ø31	cojinetes Ø31	Lagringar Ø31	Supporti Ø31
F	58244	1	1	drum unit	tambour 609	Trommel	roltrommel	conjunto tambor	Trumma	insieme tamburo
G	58245	2	2	Reefing line adjuster	demi guide drosse	reffleinenhalter	val tensor	guia maniobra	revlinematare	guide frenello
H	21291	1		Chainplates 5 holes	Lattes accrochage 5 trous	Lochschengel 5 loecher	Spannerplaten 5 gaten	Placas tensor 5 taladros	Rostfria monteringsbeslag 5 hal	Landre d'aggancio 5 fori
	21295		1	Chainplates 11 holes	Lattes accrochage 11 trous	Lochschengel 11 loecher	Spannerplaten 11 gaten	Placas tensor 11 taladros	Rostfria monteringsbeslag 11 hal	Landre d'aggancio 11 fori
I	58246	1		screw+nut M12x35	Kit vis TH M12x35 + écrou	Schraube+Mutter M12x35	bount+moer M12x35	tornillo + tuerca M12x35	1 insex M12x35	1 Vite M12x35 Modello Landre
J	58247		1	Shouldered clevis pin Ø12	Kit axe Ø12 + goupille + rondelle	Bolzen, dick Ø12	pen Ø12	Bulón Ø12	Riggbolt Ø12	Asse a testa Ø12
K	22844	1	1	boltrope prefeeder	Guide ralingue	Liekeinführung	voorlijkinvoer	guía relinga	Segelinmatare	guida ralinga
L	58248	1	1	halyard swivel	Emerillon	Fallwirbel	valwartel	giratorio	Fallsvirvel	mulinello
M	26321	1	1	top end stop	Embout profil	Profilansatzstück	top eind stuk	terminal tope	Toppdel	Terminale profilato
N	25674	1	1	screw M5x12	Vis CHC M5x12	Schraube M5x12	schroef M5x12	tornillo M5x12	insex M5x12	vite a brugola M5x12

811-S



	REF	58204	GB	F	D	NL	E	S	I
A	25752	1	base spar	Profil bas aluminium	unteres Profil	basisprofiel	perfil bajo	Bottenprofil	profilato basso
B	25392	6	Intermediate spars	Profil intermediaire aluminium	Zwischenprofile	standaardprofielen	Perfiles intermedios	Standard profiler	Profilati intermedi
C	25384	7	Coupling sleeves	Jonction aluminium	Verbindungsstücke	koppelstukken	piezas de uniones	Skarvstycken	Pezzi di giunzione
D	26179	7	PVC liners	Profil PVC	PVC-Profile	PVC binnenprofielen	Perfiles PVC	Innerprofil i PVC	Profilati PVC
E	22827	2	bearings Ø31	Palier Ø31	Stopper Ø31	lagers Ø31	cojinetes Ø31	Lagringar Ø31	Supporti Ø31
F	58249	1	drum unit	tambour 811	Trommel	roltrommel	conjunto tambor	Trumma	insieme tamburo
G	58250	2	Reefing line adjuster	demi-guide drosse	refleinenhalter	val tensor	guia maniobra	revlinematare	guide frenello
H	22850	2	Chainplates 5 holes	Lattes accrochage 5 trous	Lochschenkel 5 loecher	Spannerplaten 5 gaten	Placas tensor 5 taladros	Rostfria monteringsbeslag 5 hal	Landre d'aggancio 5 fori
I	22855	1	screw M14x40	Vis TH M14x40	Schraube M14x40	bout M14x40	tornillo M14x40	Skruv M14x40	Vite M14x40
J	22857	1	nut M14	Ecrou M14	Mutter M14	moer M14	tuerca M14	Mutter M14	Dado M14
K	22844	1	boltrope prefeeder	Guide ralingue	Lieeinführung	voorlijkinvoer	guía relinga	Segelinmatare	guida ralinga
L	58248	1	halyard swivel	Emerillon	Fallwirbel	valwartel	giratorio	Fallsvirvel	mulinello
M	26321	1	top end stop	Embout profil	Profilansatzstück	top eind stuk	terminal tope	Toppdel	Terminale profilato
N	25674	1	screw M5x12	Vis CHC M5x12	Schraube M5x12	schroef M5x12	tornillo M5x12	insex M5x12	vite a brugola M5x12



www.plastimo.com