

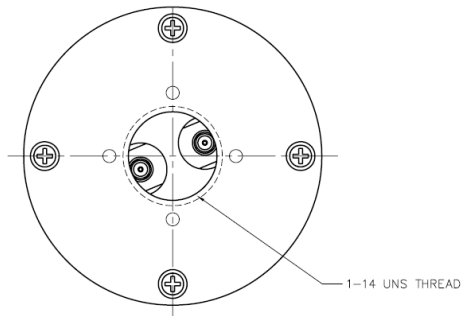
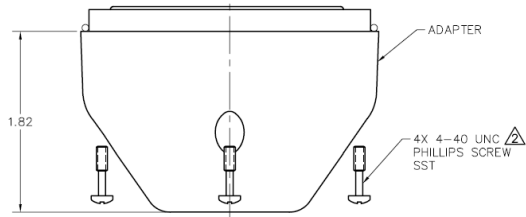
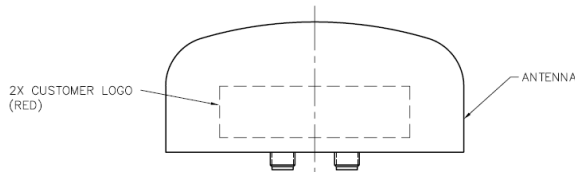
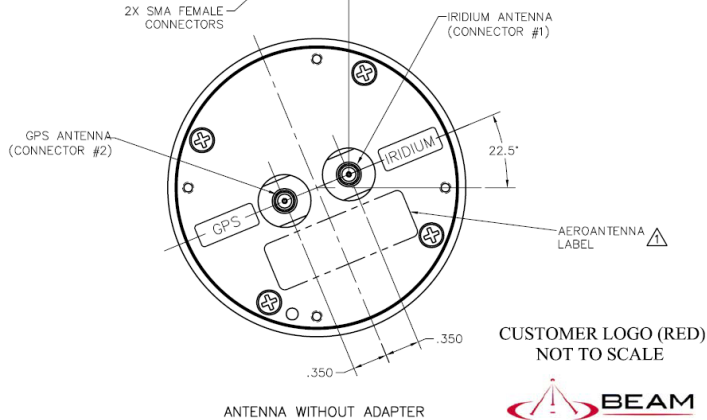
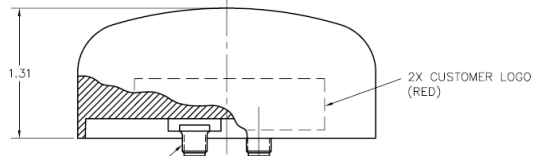
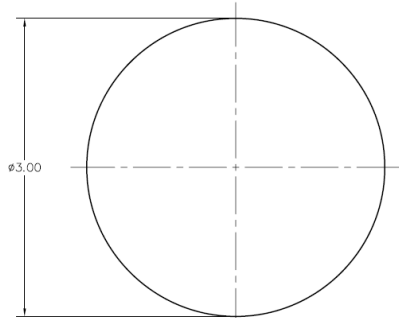
8 7 6 5 4 3 2 1

PROPRIETARY NOTICE: This document contains proprietary information of AAT Inc. neither the document nor said proprietary information shall be published, reproduced, copied, disclosed or used for any purpose other than consideration of this document without the express written permission of a duly authorized representative of said Company.

REVISIONS			
SYM	DESCRIPTION	DATE	APPROVED
B	REVISED PER ECO 8248	06-11-08	

NOTES: UNLESS OTHERWISE SPECIFIED.

- △ SIZE, SHAPE, AND CONTENTS OF NAME PLATE ARE SUBJECT TO CHANGE WITHOUT NOTICE.
- △ SCREWS AND TBD SUPPLIED BY AEROANTENNA.
- 3. TOLERANCE: .XX = ±.03  
.XXX = ±.010



ANTENNA WITH ADAPTER

SPECIFICATION:

FREQUENCY: 1621 ±5 MHz  
1575 ±5 MHz

POLARIZATION: RIGHT HAND CIRCULAR

AXIAL RATIO: 3 dB MAX @ BORESIGHT

RADIATION COVERAGE: **IRIDIUM**

ELEVATION ANGLE: GAIN:  
0°<θ<10° -2.5 dBic min  
10°<θ<90° 0 dBic min

**GPS**

ELEVATION ANGLE: GAIN:  
0°<θ<10° -7.5 dBic min  
10°<θ<20° -5.5 dBic min  
20°<θ<30° -3.5 dBic min  
θ>30° -2.5 dBic min

AMPLIFIER: IRIDIUM: PASSIVE

GAIN: GPS L1: 26 dB (35 mA)

VOLTAGE: IRIDIUM: PASSIVE  
GPS L1: 3 VDC

NOISE FIGURE: 2.5 dB MAX

IMPEDANCE: 50 OHMS

VSWR: ≤2.0:1

POWER HANDLING: 10 WATTS

CONNECTOR: SPECIFY

WEIGHT: 4.50 OZ.

OPERATING TEMP: -40°C TO +71°C



DO NOT SCALE THIS DRAWING	DRAWN	N. ISTRATE	04/29/08
REMOVE BURRS AND BREAK SHARP EDGES	CHECKED		
PART TO BE CLEAN AND OIL FREE	ENGR	N. ISTRATE	4-29-08
ALL DIMENSIONS ARE IN INCHES	MFG	D. LEVY	6-03-08
DIMENSIONING & TOLERANCING PER ASME Y14.5M-1994	Q.A.	B. RUBENI	6-03-08
TOLERANCES:	APPROVED		
<del>XXX</del> ±.01 FRACT = ±1/32	DRAWN IN	ACAD	
<del>XXX</del> ±.005 ANG. = ±1/2°			
✓ SURFACE ROUGHNESS MACHINED PARTS VES			
MOLDED PARTS V32			
HOLE DIA. TOLERANCE			
D135 - .125 * .001			
.126 - .250 + .001			
.251 - .500 -.001			
.501 - .750 * .001			
NEXT ASSY			



TITLE  
**Iridium / GPS antenna**

SIZE	CAGE CODE	DRAWING NO.	REV
B		<b>RST702</b>	B
SCALE	NONE	FILE: \CAD\AT1621\ -162\AT1621-162B	SHEET 1 of 1