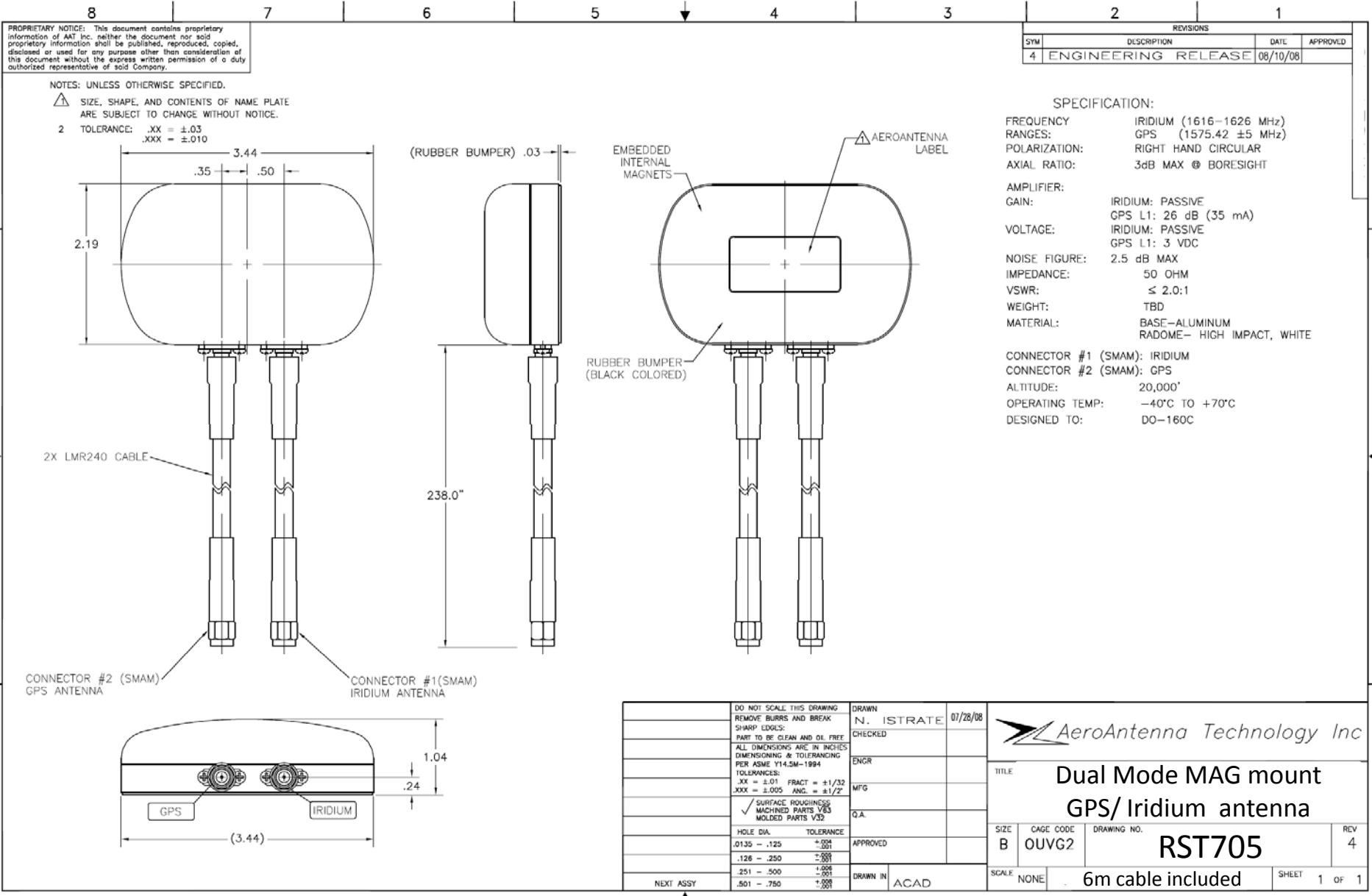


\*Please note the Iridium antenna connector is now a TNCM connector. New specifications and drawings will be provided shortly.



PROPRIETARY NOTICE: This document contains proprietary information of AAT Inc. neither the document nor said proprietary information shall be published, reproduced, copied, disclosed or used for any purpose other than consideration of this document without the express written permission of a duly authorized representative of said Company.

- NOTES: UNLESS OTHERWISE SPECIFIED.  
 1. SIZE, SHAPE, AND CONTENTS OF NAME PLATE ARE SUBJECT TO CHANGE WITHOUT NOTICE.  
 2. TOLERANCE: .XX = ±.03  
 .XXX = ±.010

| REVISIONS |                     |          |          |
|-----------|---------------------|----------|----------|
| SYM       | DESCRIPTION         | DATE     | APPROVED |
| 4         | ENGINEERING RELEASE | 08/10/08 |          |

**SPECIFICATION:**

FREQUENCY: IRIIDIUM (1616-1626 MHz)  
 RANGES: GPS L1: 26 dB (35 mA)  
 POLARIZATION: RIGHT HAND CIRCULAR  
 AXIAL RATIO: 3dB MAX @ BORESIGHT

AMPLIFIER:  
 GAIN: IRIIDIUM: PASSIVE  
 GPS L1: 26 dB (35 mA)

VOLTAGE: IRIIDIUM: PASSIVE  
 GPS L1: 3 VDC

NOISE FIGURE: 2.5 dB MAX  
 IMPEDANCE: 50 OHM  
 VSWR: ≤ 2.0:1  
 WEIGHT: TBD  
 MATERIAL: BASE-ALUMINUM  
 RADOME- HIGH IMPACT, WHITE

CONNECTOR #1 (SMAM): IRIIDIUM  
 CONNECTOR #2 (SMAM): GPS  
 ALTITUDE: 20,000'  
 OPERATING TEMP: -40°C TO +70°C  
 DESIGNED TO: DO-160C

|  |          |            |          |
|--|----------|------------|----------|
| DO NOT SCALE THIS DRAWING  | DRAWN    | N. ISTRATE | 07/28/08 |
| REMOVE BURRS AND BREAK SHARP EDGES                                   | CHECKED  |            |          |
| PART TO BE CLEAN AND OIL FREE  | ENGR     |            |          |
| ALL DIMENSIONS ARE IN INCHES   | MFG      |            |          |
| DIMENSIONING & TOLERANCING PER ASME Y14.5M-1994                      | Q.A.     |            |          |
| TOLERANCES:<br>.XX = ±.01 FRACT = ±1/32<br>.XXX = ±.005 ANG. = ±1/2° | APPROVED |            |          |
| ✓ SURFACE ROUGHNESS MACHINED PARTS V63 MOLDED PARTS V32              | DRAWN IN | ACAD       |          |
| HOLE DIA. TOLERANCE  |          |            |          |
| .0135 - .125   |          |            |          |
| .126 - .250  |          |            |          |
| .251 - .500  |          |            |          |
| .501 - .750  |          |            |          |

**AeroAntenna Technology Inc**

TITLE: **Dual Mode MAG mount GPS/Iridium antenna**

SIZE: B CAGE CODE: OUVG2 DRAWING NO.: **RST705** REV: 4

SCALE: NONE 6m cable included SHEET 1 OF 1

NEXT ASSY