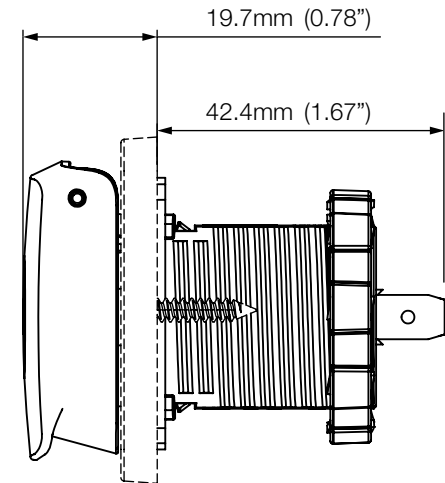
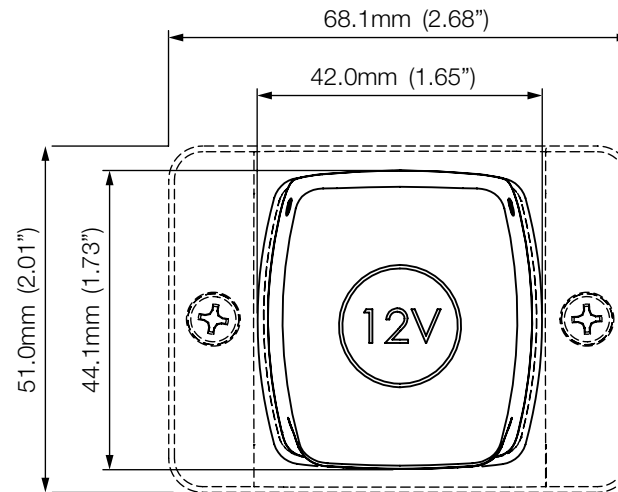


# Flip Pro 12V Power Socket - SC-12V-F1

Email: sales@scanstrut.com Email: usasales@scanstrut.com

## Technical info:

Input voltage 12/24V System	10-15V DC
Input current Max	10A
Output Type C (12V System)	5V=3A, 9V=3A 12V=3A MAX
Waterproof rating	IPX4
Standby draw	0.01W
Certification	CE, ROHS, WEE, UKCA



## Drill Template:

