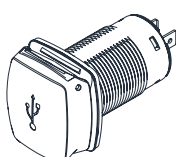
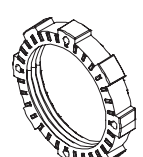
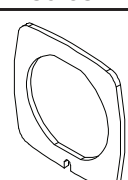


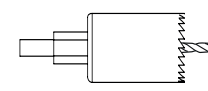

Flip Pro Fast Charge Dual USB Socket - (SC-USB-F1)

Technical information.		
Input voltage 12/24V System	10-32V DC	
Input current Max	6 A	
Output Type C Max	12V	36W
	24V	60W
Output Type A Max	12V	36W
	24V	36W
Standby draw	0.01W	
Waterproof rating	IPX4	
Certification	CE, FCC, C-Tick, ROHS	

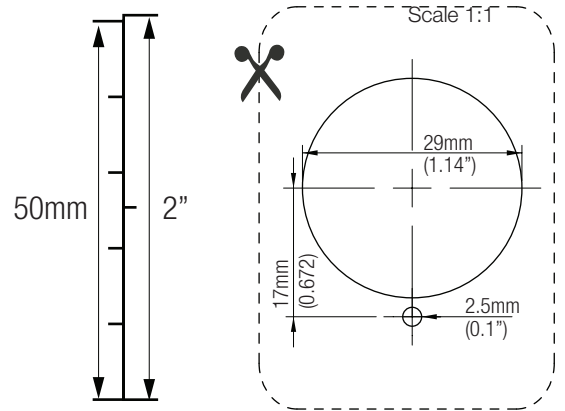
For latest tech info visit: www.scanstrut.com/USB

  **READ IMPORTANT SAFETY INFORMATION BEFORE INSTALLING.**

Part List:	
	
SC-USB-F1 x1	Lock Ring x1
	
Gasket x1	

Tools Required:	
	
29mm (1 1/8") Hole saw x1	
	
2.5mm (3/32") Drill bit x1	

Drilling Template WARNING CHECK SCALE



WARNING:
This product is to be connected to a 12V DC or 24V DC battery power source only. The power supply must be switched off before installation.

An appropriate fuse or circuit breaker must be used between the battery/power source and this product. Check for correct polarity of all wiring before switching the power on.

This product may contain high voltages. Do not tamper with the product.

This product is NOT approved for use in hazardous/flammable atmospheres. Do NOT install in a hazardous/flammable atmosphere e.g. engine room.

Before drilling any holes, ensure the area behind the mounting location is clear of wires, fuel and all other hazardous objects.

Ensure any holes cut will not significantly weaken the structure of the mounting surface.

If the product needs to be mounted outside, it must be mounted in a location safely above the waterline, where it is not at risk of being submerged.

CAUTION:
The product is specially designed for charging QC and PD compatible devices.

This product does not contain any user serviceable parts. DO NOT attempt to repair or modify the product in any way.

When used in high ambient temperature or in direct sunlight, the product may turn off temporarily, this is a safety feature of the electronics.

The IP protection rating is only valid if the installation is carried out correctly according to the instructions and on a perfectly flat, smooth and non-porous surface.

When choosing a mounting location, avoid areas exposed to heat radiation devices and areas with poor ventilation

WIRING:
Professional electrician installation recommended, see Technical Information for power requirements.

To achieve max power output, the specified voltage must be at the charger. Battery performance and voltage drop needs to be considered for installation.

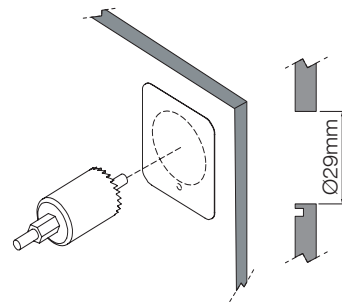
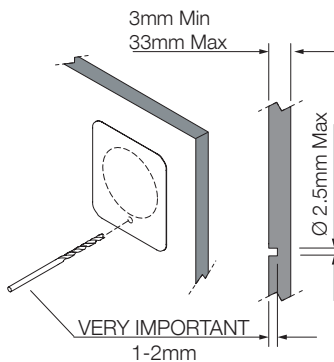
ENVIRONMENTAL PROTECTION:
Waste electrical products should not be disposed of with household waste. Please recycle where facilities exist. Check with your Local Authority or retailer for recycling advice.

IMPORTANT:
Scanstrut Ltd & Inc. accepts no responsibility for any injuries or other damages arising from the use of their products in any circumstances.

WARRANTY:
A 2 year, non-transferrable warranty covers this Scanstrut product only and not any devices that are charged by it. No warranty is given for users' devices and users expose their devices to hazards, known or unknown, at their own risk.

1 Use drilling template to drill 1 x 2.5mm (3/32") to a depth between 1-2mm, do not go through the mounting surface (see tools required).

2 Use drilling template to drill ø29mm (1 1/8") hole (see tools required).



3 – Feed SC-USB-F1 through the gasket and hole.
– Orientate product using positioning hole.
– Tighten lock ring onto product until securely fixed.

4 Connect to 12/24V supply, ensuring a waterproof connection. Fuse and select cable diameter according to input voltage and current for your specific installation.

