

4

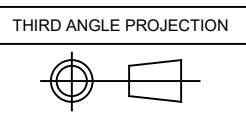
3

2

1

NOTES:

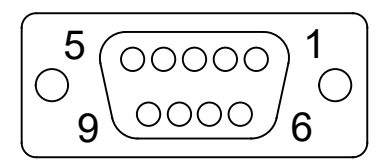
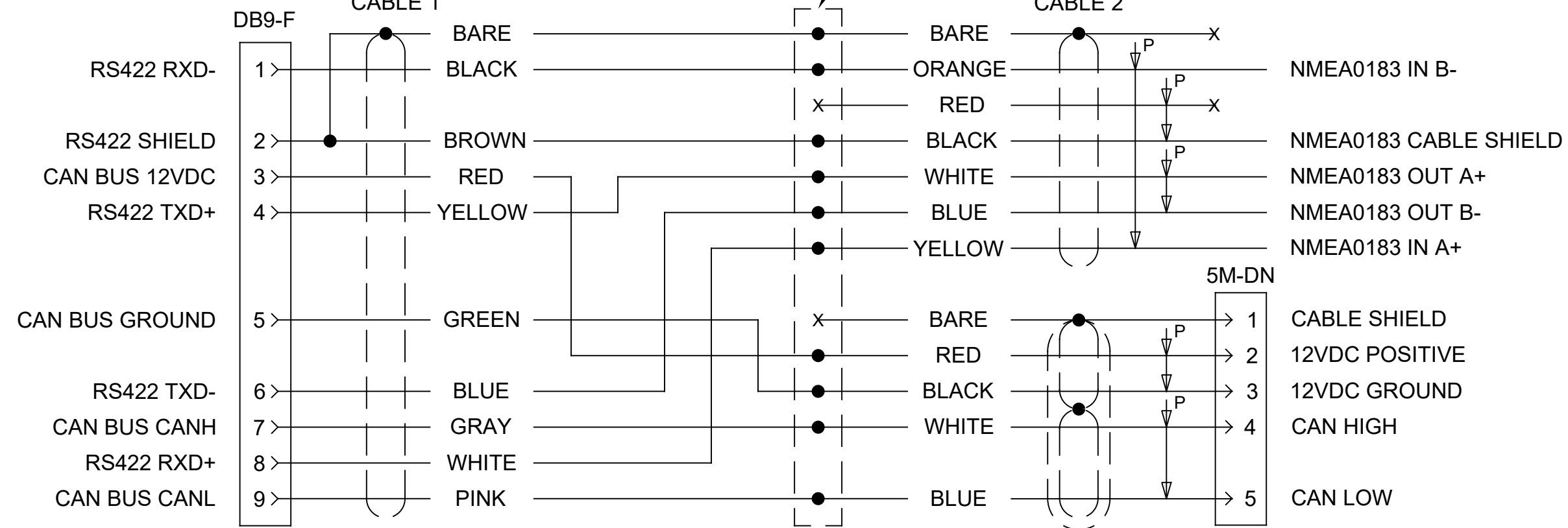
- 1. IN CABLE 2, RED WIRE IS CUT OFF AT BOTH ENDS AND BARE WIRE IS CUT OFF AT CUSTOMER END
- 2. IN CABLE 3, BARE WIRE IS CUT OFF IN Y CABLE SPLITTER
- 3. ∇^P SIGNIFIES TWISTED PAIR



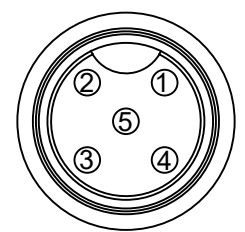
REV		DESCRIPTION	CO NO.	DATE	CHG/CHK
1		INITIAL RELEASE	2473	04/14/21	---/---
2		UPDATE WIRING TO PURCHASED VERSION OF CABLE ASSEMBLY WITH ADDED Y CABLE SPLITTER	3066	01/12/22	RLE/WJL

ASM PROCESSOR JB END

CUSTOMER END



CONTACT END VIEW DB9-F



CONTACT END VIEW 5M-DN

UNLESS OTHERWISE SPECIFIED	SIGNATURE	DATE
DIMENSIONS ARE IN INCHES TOLERANCES ON 2 PL DECIMALS: ±0.02 3 PL DECIMALS: ±0.005 ANGLES: ±1/2° FRACTIONS: ±1/16 SURFACE FINISH: √63	DRAWN: R.EVANS	04/12/21
	CHECKED: I.ROBB	04/13/21
	APPROVED: W.LETENDRE	04/13/21

MATERIAL AS NOTED

PART NUMBER	N/A	P/N REV	N/A
-------------	-----	---------	-----

AIRMAR AIRMAR TECHNOLOGY CORPORATION
 35 MEADOWBROOK DR
 MILFORD NH 03055-4613 USA
 TEL: 603-673-9570 FAX: 603-673-4624

TITLE
WIRING, YCBL ASSY DB9-F & NMEA0183 NC & NMEA2000 DEVICE NET 5M-DN

SIZE	SCALE: NONE	DOC NUMBER	DOC REV
B	SHEET 1 OF 1	D-19929	3

THIS DOCUMENT AND THE DATA DISCLOSED HEREIN OR HEREWITH IS NOT TO BE REPRODUCED, USED, OR DISCLOSED IN WHOLE OR IN PART TO ANYONE WITHOUT THE PERMISSION OF AIRMAR

CRITICAL DIMENSIONS (REF) DO NOT SCALE DRAWING

4

3

2

1