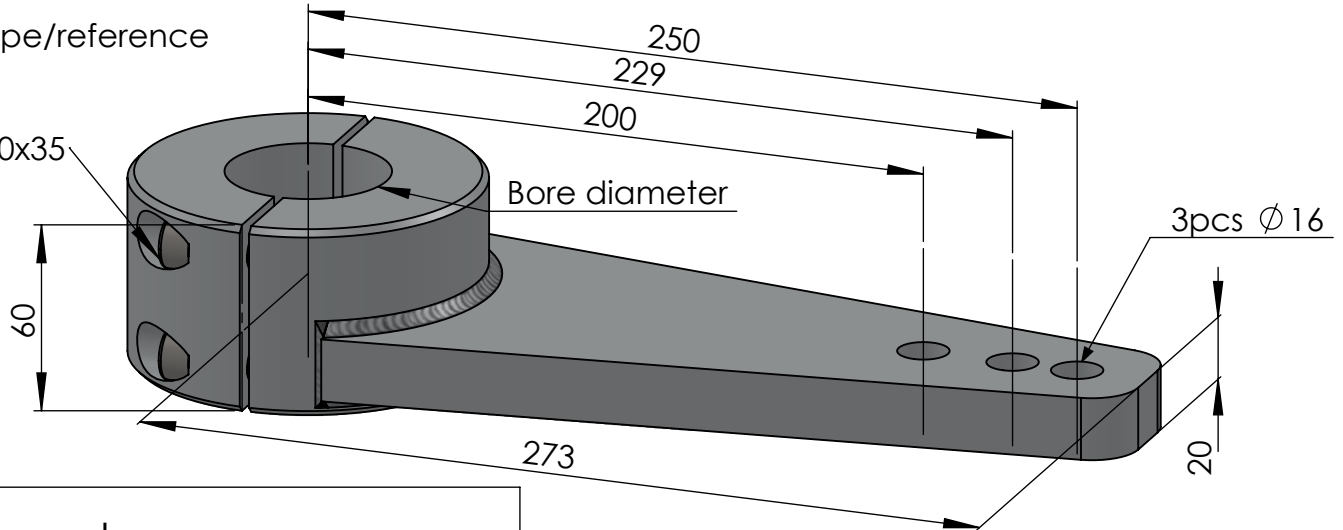


Tiller arm specification form

Version 2.2

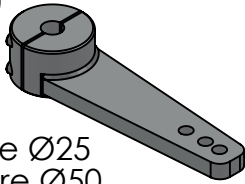
Yacht type/reference

4pcs M10x35



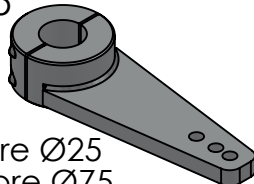
Bore diameter= _____ mm

TLJ050



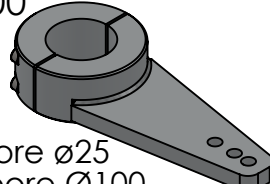
Minbore Ø25
Maxbore Ø50

TLJ075



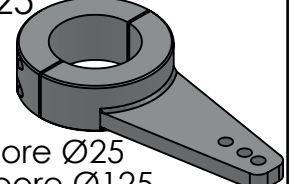
Minbore Ø25
Maxbore Ø75

TLJ100



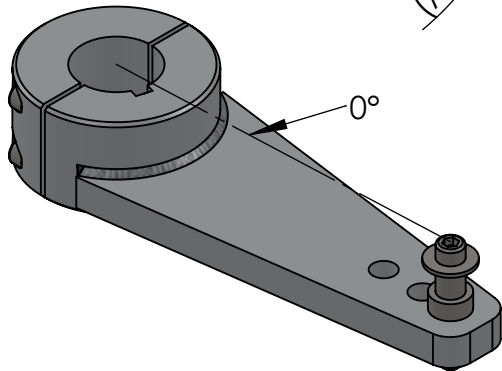
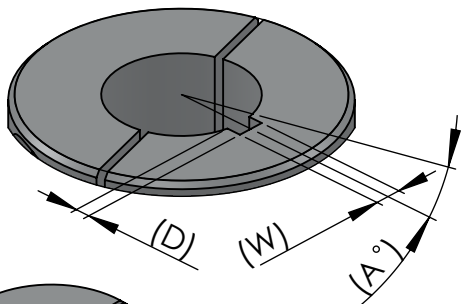
Minbore ø25
Maxbore Ø100

TLJ125



Minbore Ø25
Maxbore Ø125

Opportunities of tiller arm locking mechanism's



If a key is present, please specify dimensions below

Key width

(W) = _____ mm

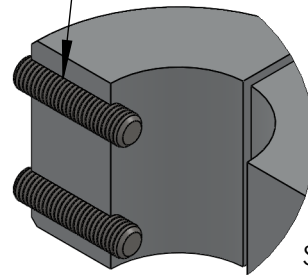
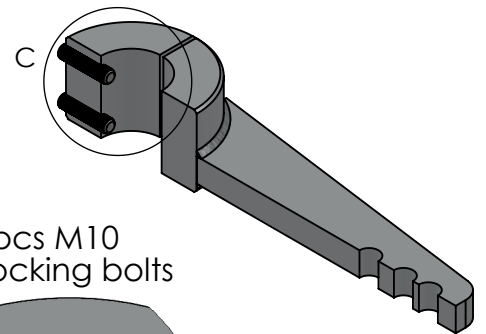
Key depth

(D) = _____ mm

Key angle

(A°) = _____ °

Keyway dimensions specified by: (A°) from 0° and clockwise around, (W) is key width in mm, (D) is keyway depth in mm)



DETAIL C
SCALE 1 : 2

If no key is present, please cross the box to include 2pcs off M10 locking bolts

Comments