

VERATRON GO

GENERAL DESCRIPTION

Veratron GO GPS is a plug-and-play device which features an integrated high-performance GPS / GLONASS / GALILEO receiver.

The Data variant embeds an NMEA 2000 to Bluetooth Low Energy (BLE) gateway which brings all your vessel data to your fingertips.

The BLE gateway - together with the veratron smartphone and tablet apps - allows to monitor your engine, read your sailing performance data, keep an eye on your batteries status and receive alarm notifications.

The Plus+ version includes both the GNSS receiver and the Bluetooth gateway in one device!

Compact and easy to install, veratron GO does not require any additional protection against harsh weather conditions.



KEY FEATURES

- GPS, GLONASS and GALILEO constellations*
- SBAS - WAAS/EGNOS/MSAS/GAGAN compatible
- 72 channels reception - 10Hz update rate
- Very high tracking sensitivity (-165 dBm)
- Fast cold-start position fix
- Bluetooth Low Energy 5.0 gateway**
- Up to 160 m pairing range
- Robust against electrical noise
- NMEA 2000® output
- Small installation footprint



* GPS and Plus+ versions only

** Data and Plus+ only

* This Product Basic Information provides general information about products which are not or not yet fixed within the product portfolio but are available in principle. It is used to give the first introduction of a product which is generally available, independent from afterwards determination of the product. Design and functionality of this general information can differ and can be gathered from the corresponding product specifications in case of an assumption of the product into the product portfolio. The reproduction, distribution and utilization of this document as well as the communication of its contents to others without express authorization is prohibited. Offenders will be held liable for the payment of damages. All right reserved in the event of the grant of a patent, utility model or design.

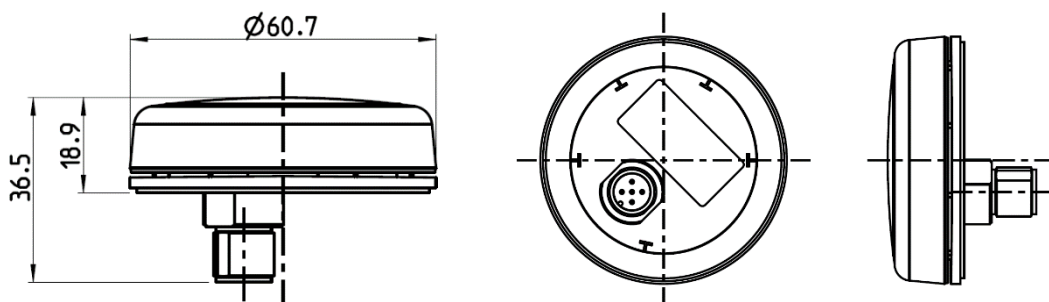
PART NUMBERS

PART NO.	VARIANT
B00034901	Veratron GO GPS
B00041601	Veratron GO Data
B00041701	Veratron GO Plus+

TECHNICAL DATA

Housing	Acrylonitrile Styrene Acrylate (ASA), white color
Connector	DeviceNet M12, 5 pins
IP Protection Class	IPX7 according to IEC60529
Flammability	UL94 V0
Supply Voltage	12 VDC powered from NMEA 2000 backbone
Mounting concept	High-performance bi-adhesive tape Optional plastic bracket
GNSS receiver	GPS, GLONASS, Galileo constellation 72 channels reception 10Hz update rate
GPS Time-To-First-Fix (TTFF)	Cold Start – 30 sec Hot Start – 1 sec
Position accuracy	2.5 m with good sky view
Velocity accuracy	0.05 m/s
Heading accuracy	0.3 deg
Bluetooth	Bluetooth Low Energy (BLE) 5.0 2.4 Ghz band – 40 channels
Compliance	CE, Reach, RoHS, NMEA 2000®

DIMENSIONS



GPS NMEA 2000® PGN

PGN	DESCRIPTION
126992	System Time
129025	Position, Rapid Update
129026	COG & SOG, Rapid Update
129029	GNSS Position Data
129539	GNSS DOPs
129540	GNSS Satellites in View

BLUETOOTH DATA*

Engine RPM	Coolant Press	Rudder Angle	TWA
Trim	Engine Alarms	COG	TWS
Boost Press	Gear Oil Temp	SOG	TWD
Coolant Temp	Gear Oil Press	GPS Position	True Heading
Fuel Rate	Gear	Depth	Mag Heading
Fuel Press	Gear Alarms	Yaw	Sea Water Temp
Engine Oil Temp	Fuel Level	Pitch	Air Temp
Engine Oil Press	Fresh Water	Roll	Barometer
Engine Hours	Waste Water	AWA	Water Speed
Engine Load	Exhaust Temp	AWS	Battery Voltage
Battery Current	Battery Temp	Battery SOC	Battery SOH
Autonomy	Battery Ah		

* additional data may be added in next releases

ACCESSORIES / SPARE PARTS

	PART NO.
Installation bracket kit	B00062402

Veratron AG
 Industriestrasse 18
 9464 Rütli, Switzerland

T +41 71 7679 111
 info@veratron.com
 www.veratron.com

Rev.AA

* This Product Basic Information provides general information about products which are not or not yet fixed within the product portfolio but are available in principle. It is used to give the first introduction of a product which is generally available, independent from afterwards determination of the product. Design and functionality of this general information can differ and can be gathered from the corresponding product specifications in case of an assumption of the product into the product portfolio. The reproduction, distribution and utilization of this document as well as the communication of its contents to others without express authorization is prohibited. Offenders will be held liable for the payment of damages. All right reserved in the event of the grant of a patent, utility model or design.