

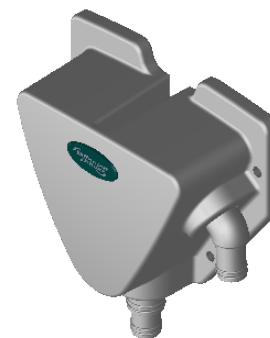
1

2

3

4

A

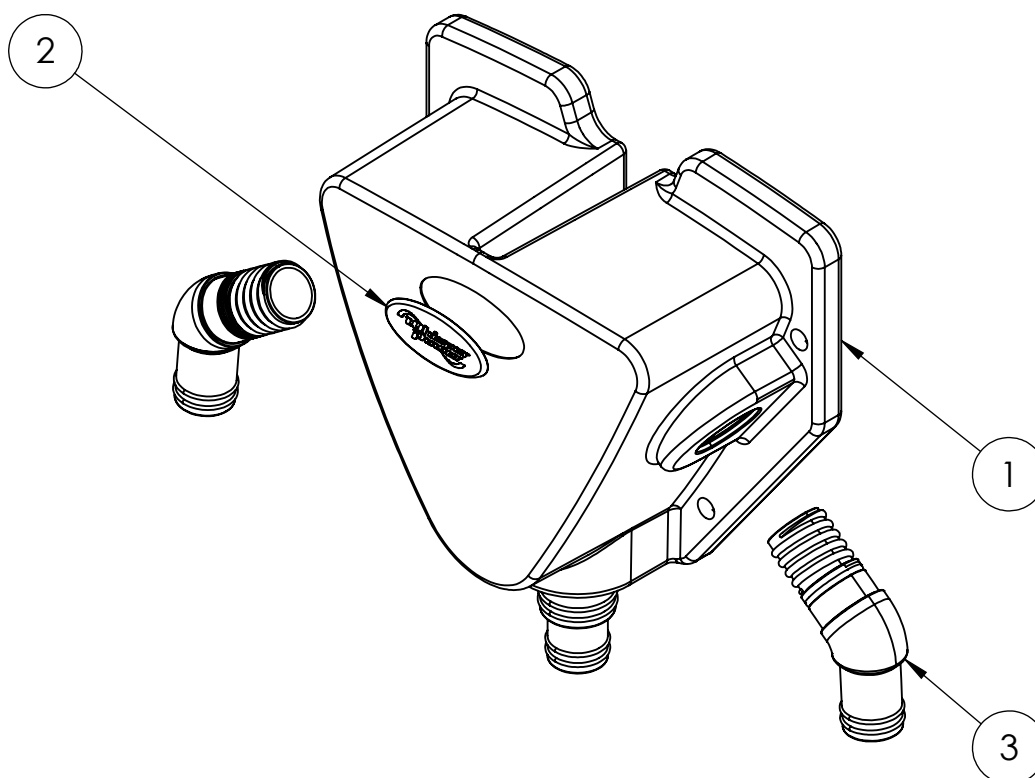


scale 1:10

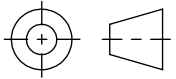
B

C

D



E

| 3 | 2 | Knee subassy 40 mm. | 1013A173893 | 40230112 |
|--|------|---|--------------------------------|--|
| 2 | 1 | Whisper Power Logo 2015 95mm | 9003P152794 | 40200950 |
| 1 | 1 | Water Gas Separator | 1013P173887 | 40230087 |
| ITEM NO. | QTY. | DESCRIPTION | DRAWING | ARTICLE No. |
| UNLESS OTHERWISE SPECIFIED: CHAMFER SHARP EDGES GENERAL TOLERANCE NEN ISO 2768-m FORM AND PLACE TOLERANCES NEN-ISO 1101 WELDING SYMBOL NEN EN 22553 ROUGHNESS ACC. to NEN3634 | | TOLERANCE PRINCIPE ISO 8015 PROJECTION : THIRD ANGLE UNITS : mm  | FINISH: - Material: | DO NOT SCALE DRAWING SHEET FORMAT: A4 TITLE: Water Gas Separator Assy 40-40-40 |
| | NAME | SIGNATURE | DATE | STATUS: |
| DRAWN | M.B. | | 18-5-2017 | Released |
| CHK'D | M.F. | | 13-6-2017 | |
| | | | | DRAWING: |
| | | | | 1013A173898 |
| PRINTED | | | 19-10-2017 | Weight: 2569,51 gram |
| | | | ARTICLE NO. 40230087 | REVISION |
| | | | SCALE:1:5 | SHEET 1 OF 1 |