
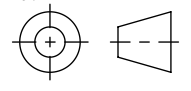


UNLESS OTHERWISE SPECIFIED: CHAMFER SHARP EDGES GENERAL TOLERANCE NEN ISO 2768-m FORM AND PLACE TOLERANCES NEN-ISO 1101 WELDING SYMBOL NEN EN 22553 ROUGHNESS ACC. to NEN3634			TOLERANCE PRINCIPLE ISO 8015		FINISH: -	DO NOT SCALE DRAWING	
			PROJECTION : THIRD ANGLE UNITS : mm		Material: Material <not specified>	SHEET FORMAT: A3	
					TITLE: Design		
	NAME	SIGNATURE	DATE	STATUS:		ARTICLE NO.	
DRAWN	M.B.		27-3-2017	Design		NOT_REQUIRED	
CHK'D						REVISION	
				DRAWING: 1012P142164			
PRINTED			27-3-2017	Weight: 7265.19 gram		SCALE:1:3	
						SHEET 1 OF 1	