

# SAILOR 7222 VHF DSC Class A

## The New SAILOR GMDSS DSC Class A VHF: SAILOR 7222 VHF DSC Class A

### Including:

SAILOR 7224 VHF Control Unit

SAILOR 6201 Handset

SAILOR 7226 VHF Transceiver Unit



### SAILOR 7222 VHF DSC Class A

Highly resilient and easy to operate in any situation, the SAILOR 7222 VHF DSC Class A is the most advanced SAILOR radio for demanding users operating within the SOLAS maritime environment.

Exceeding standards set by IMO regulation for GMDSS Class A VHF, the August 2021 introduced Bridge Alert Management (BAM) IMO resolution MSC.302(87), as well as IEC 62923-1 & IEC 62923-2, the SAILOR 7222 VHF DSC Class A the most reliable radio platform delivering clear communications that could make the difference between a non-event or a major incident.

Building on the established technology leadership of former SAILOR VHF DSC radios, the SAILOR 7222 VHF DSC Class A features updated hardware and software to deliver even more reliability. It is designed with a new and innovative, user-friendly 5.5" TFT touch-screen interface that further streamlines workflows and optimizes operational safety and efficiency.

SAILOR 7222 VHF DSC Class A VHF is quick and easy to install as a standalone device, or as a core component of a SAILOR GMDSS console. Advanced networking functionality also significantly reduces the installation and service burden, when deployed as part of a fully compliant solution, with other compatible SAILOR products, including mini-C, MF/HF, NAVTEX, Portable VHF and AIS.

Providing clear communication at all times, the SAILOR 7222 VHF DSC Class A VHF is far more than just a means of meeting regulations. It is a vital tool for daily operations with features and ruggedness ensuing for diverse users on any vessel, from trawlers and workboats to merchant ships and specialist offshore vessels.

# NEW - SAILOR 7222 VHF DSC Class A

## Product Introduction

**COBHAM**

The SAILOR 7222 VHF DSC Class A offers simplex/semi-duplex communication. One version including all variants is available.

The SAILOR 7222 VHF DSC Class A consisting of two main units connected with a standard Ethernet cable:

**SAILOR 7224 Control Unit including Handset**

**SAILOR 7226 VHF Transceiver unit**

Easy-to-use menu-driven setup

Touch screen on the SAILOR 7224 Control

Channels selection using the rightmost selection knob.

Large customizable 5,5" display for optimum readability and visibility both day and night

Different colour themes



# NEW - SAILOR 7222 VHF DSC Class A

## The Market



The SAILOR 7222 VHF DSC Class A is developed and designed to meet the tough requirements of professional mariners operating in a wide variety of vessels, from high seas fishing vessels, through to all kinds of merchant ships. The SAILOR 7222 VHF DSC Class A complies with the requirements for VHF DSC Class A, which is part of the mandatory requirements for SOLAS vessels, and national GMDSS requirements.

Product/Sea area	Sea Area A1	Sea Area A2	Sea Area A3 TLX/Inm-C	Sea Area A3 Inm-C/Inm-C	Sea Area A4
Portable VHF	2/3	2/3	2/3	2/3	2/3
VHF DSC Class A	2	2	2	2	2
MF/HF		1 (MF)	1	1 (MF)	2
MF/HF Radio Telex			1		2
Inm-C			1	2	1*
NAVTEX	1	1	1	1	1
EPIRB SART	1 1/2	1 1/2	1 1/2	1 1/2	1 1/2

1 All ships over 300 GRT in international trade, and for most nations Fishing vessels above 24 m  
\* Local variations may apply

Please note: This is an overview. Local regulations may require different setups

The SAILOR 7222 VHF DSC Class A is much more than a VHF covering the mandatory requirements. It provides the operator with a powerful, reliable and unique communication product. It is an easy to use VHF, which will become the daily means of communication between the vessels, ports, and coastal VHF's.



# NEW - SAILOR 7222 VHF DSC Class A

What is in the box? – Part number: 407222A-00500

The SAILOR 7222 VHF DSC Class A package includes all three main parts of the product:

The standard SAILOR 7222 VHF DSC Class A (Part number: 407222A-00500) includes:

## 1 SAILOR 7224 VHF DSC Control Unit

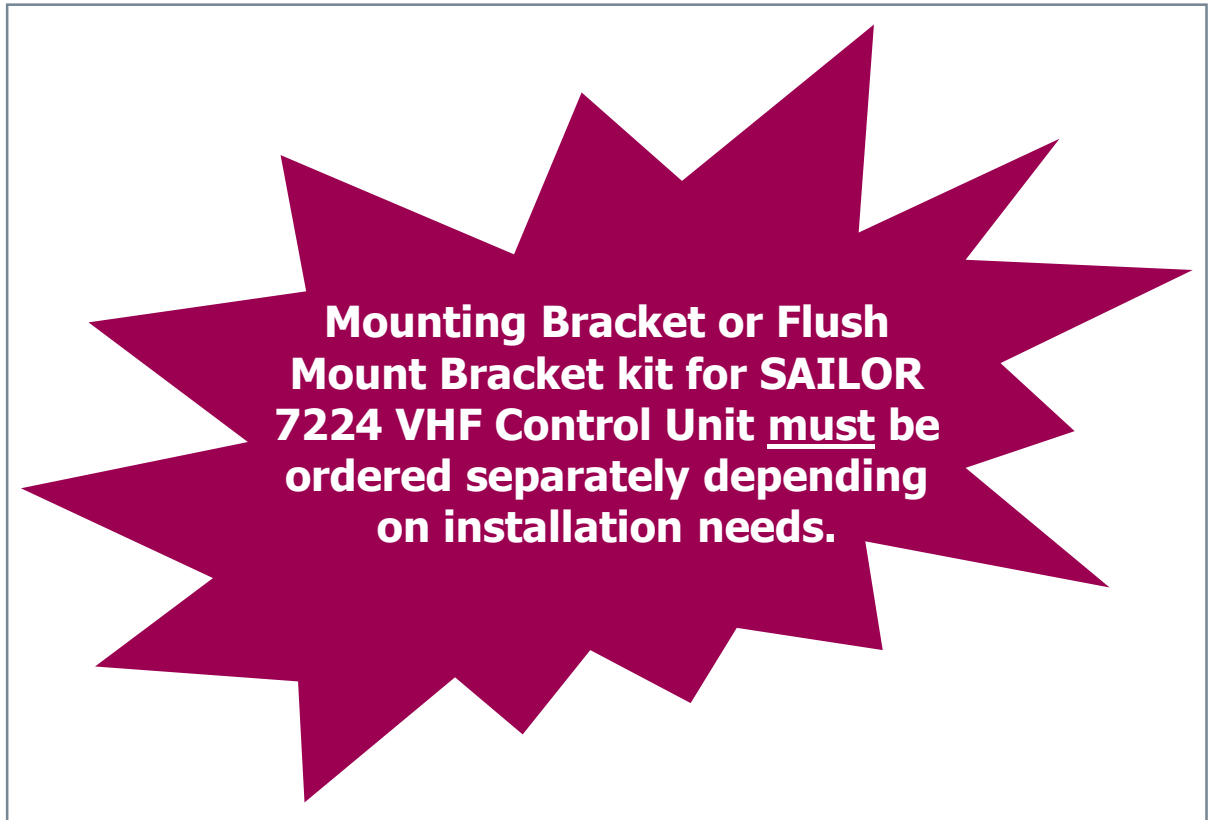
- Control Unit
- DC Power Cable (2,5 m)
- Cable relief Kit
- Installation Guide

## 2 SAILOR 6201 Handset

- Handset
- Cradle
- Screw kit

## 3 SAILOR 7226 VHF Transceiver Unit

- Including
- VHF Transceiver Unit
- Screw Kit
- Installation Guide



Note: The Brackets used on the "old" SAILOR 6222 VHF DSC Class A can be reused

# NEW - SAILOR 7222 VHF DSC Class A

## Product Introduction – Unique Selling Points

**COBHAM**

**The professional seaman has always preferred the easy operation of SAILOR VHF's and with the SAILOR 7222 VHF DSC Class A, they won't be disappointed. It offers a wide range of unique features and functions to support the user, making it far and away the best VHF DSC Class A on the market.**

Full IMO GMDSS VHF DSC Class A compliant including BAM certification

Graphical display

4 different colour themes for individual setup

Intuitive and easy to operate – Colour 5,5" Touch display

Touch operated display with a few large buttons for easy operation

Famous SAILOR Replay feature – Now extended to 480 sec. - enables simple and fast message verification

User friendly and high sound quality handset design

Powerful build in 6W loudspeaker

All Channel tables in one unit

Flexible installation for multiple users/locations

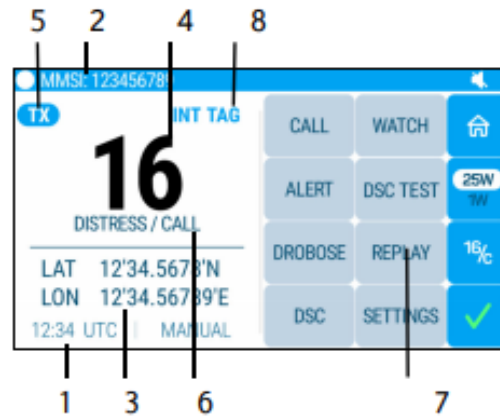
Up to 4 SAILOR 6204 Control Speaker Microphones can be connected

Up to 2 SAILOR 6201 Handsets can be connected

Straightforward LAN based Service interface: LAN port connected



The display holds various fields of information, depending on the currently selected function.



- 1 UTC time
- 2 MMSI number
- 3 Position information (latitude and longitude)
- 4 Current working channel
- 5 Current communication direction: Rx (receive) or Tx (transmit)
- 6 Service line containing current temporary information relevant for the current channel or function
- 7 On-screen key functions
- 8 Channel properties of the currently selected VHF channel (if any)

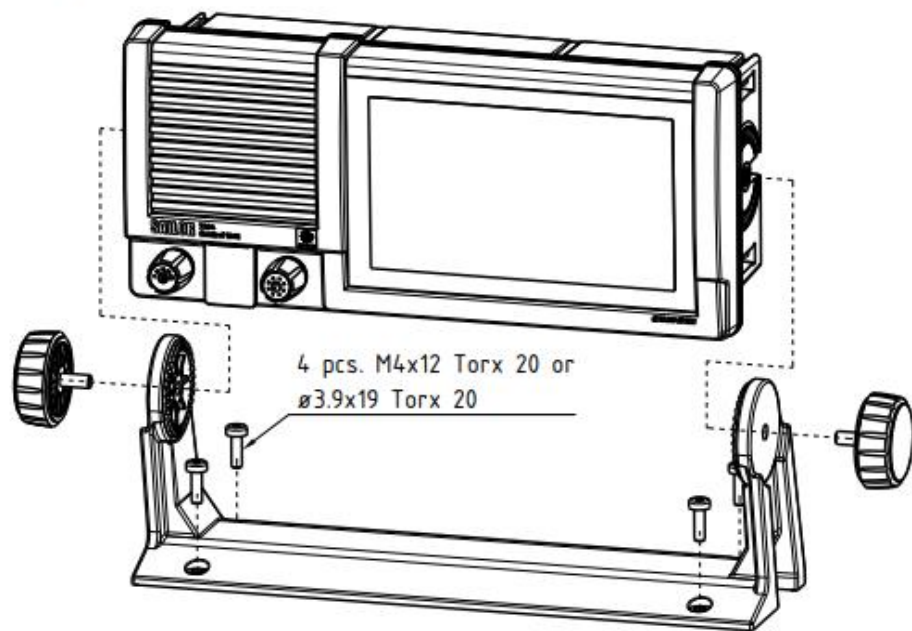


# NEW - SAILOR 7222 VHF DSC Class A Mounting

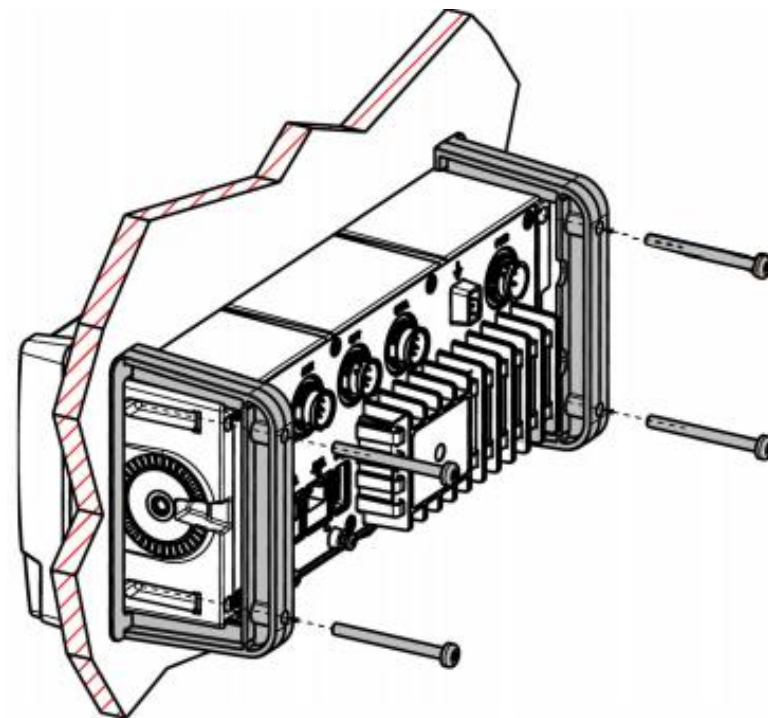
**COBHAM**

Depending on the installation mounting brackets for SAILOR 7224 Control Unit must be ordered separately.

Desktop mounting



The U-Mount Bracket Kit for Desktop mounting including wheel knobs – **Part number 407224A-930**



The Flush Mount Bracket Kit for Desktop mounting – **Part number 407224A-950**

Note: The Brackets used on the "old" SAILOR 6222 VHF DSC Class A can be reused on the SAILOR 7222 VHF DSC Class A



# NEW - SAILOR 7222 VHF DSC Class A Handsets

## Multiple Handsets:

Up to two SAILOR Handsets/Hand Microphones can be connected to each SAILOR 7222 VHF DSC Class A

### All three versions at the same time

- SAILOR 6210 Handset (one pcs in the box)
- SAILOR 6203 Handset WP
- SAILOR 6202 Hand Microphone



## Handset design:

- Ruggedized and durable design
- Based on the legacy SAILOR handset
- Very good "feel"
- Ear piece:
  - Cover ear
  - Noise reduction
  - Powerful loudspeaker
- Microphone:
  - Designed for external noise reduction



# NEW - SAILOR 7222 VHF DSC Class A SAILOR 6204 Control Speaker Microphone

**COBHAM**

## SAILOR 6204 Control Speaker Microphone is ideal for bridge wing installations:

Volume control

Hi/Lo (25/1W)

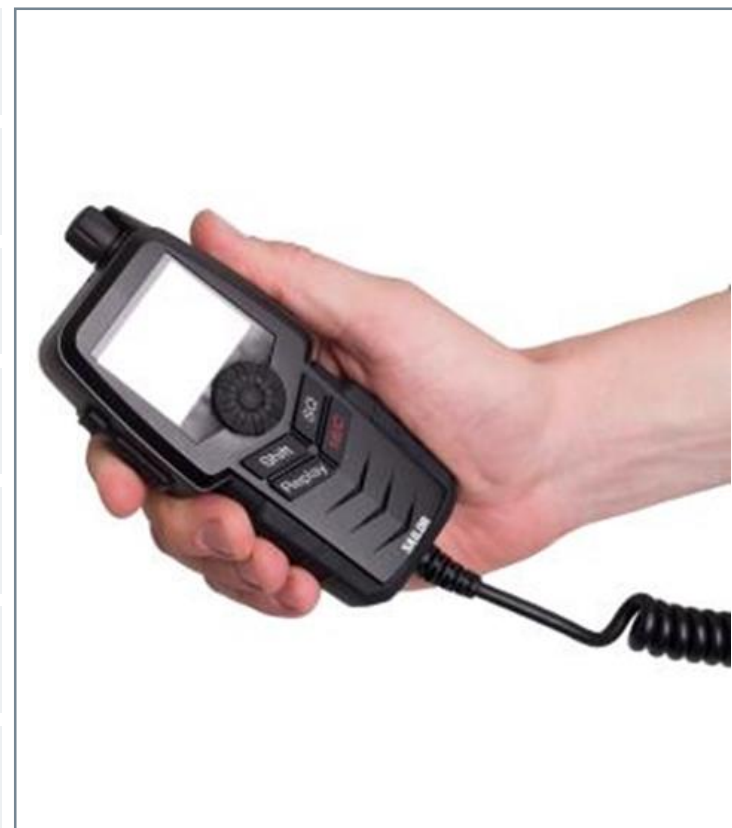
Replay

Mute alert

Channel selection

Display dimming

Display in both night and day view for optimal reading

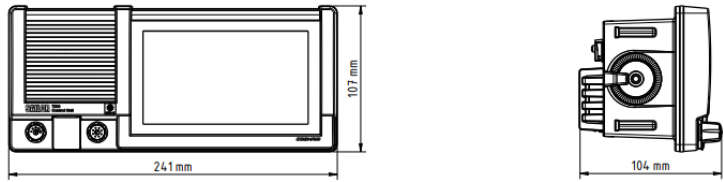
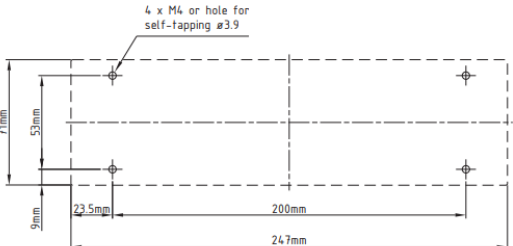
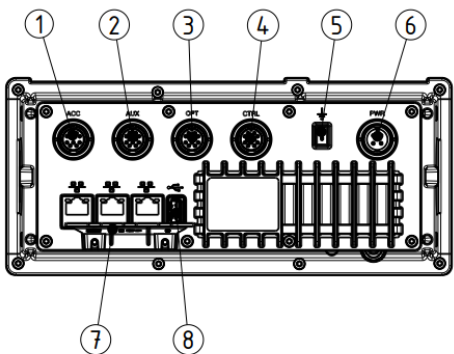
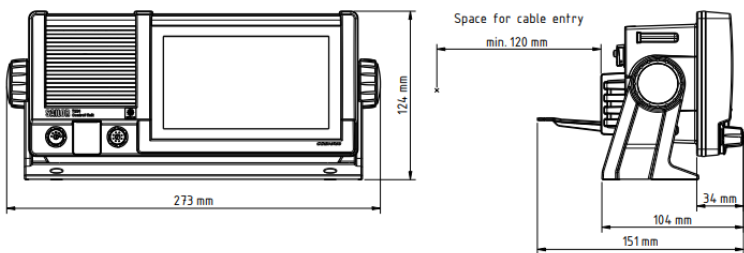
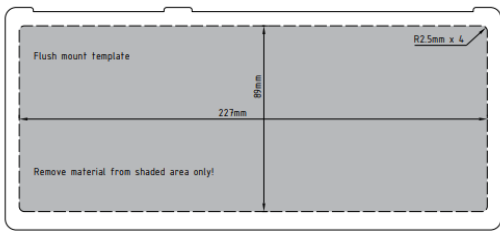


Up to 4 SAILOR 6204 Control Speaker Microphones can be connected

# NEW - SAILOR 7222 VHF DSC Class A

## Easy Installation

**Easy retrofit: The Control Unit is in the same dimensions as The SAILOR 6222 VHF**

<h3>Dimensions</h3>  <p>Weight: 1 kg / 2.2 lbs</p>	<h3>Drilling plan - U-mount bracket</h3> 	<h3>Connections</h3>  <ol style="list-style-type: none"> <li>1. ACC connector for accessories</li> <li>2. AUX connector for VDR, External speaker, DSC alarm, GPS input</li> <li>3. OPT connector</li> <li>4. CTRL connector for SAILOR 6204 Control Speaker Microphone or SAILOR 6208 Connection Box</li> <li>5. Ground stud for grounding</li> <li>6. Power connector</li> <li>7. LAN connectors for Ethernet and Ext. Connections</li> <li>8. USB connector</li> </ol>
<h3>Dimensions - Incl. U-mount bracket and cable relief</h3> 	<h3>Cut out - Flush mounting</h3> 	



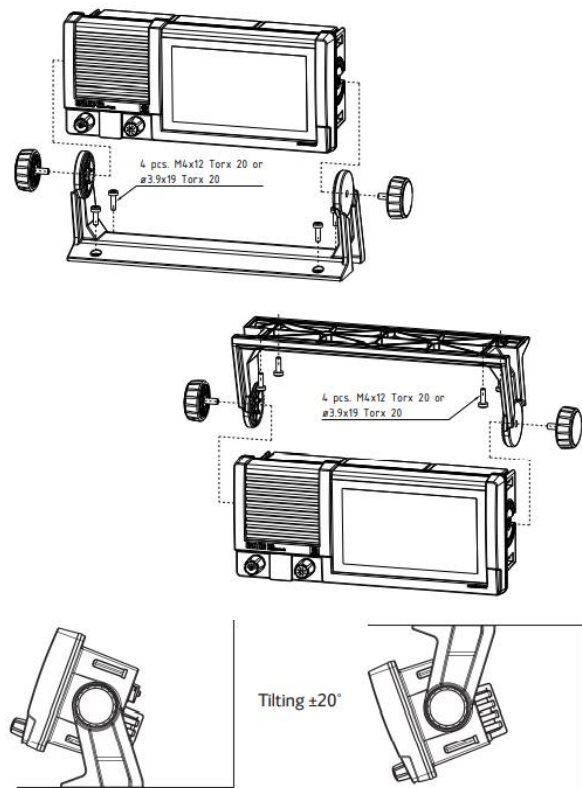
# NEW - SAILOR 7222 VHF DSC Class A

## Easy Installation

**COBHAM**

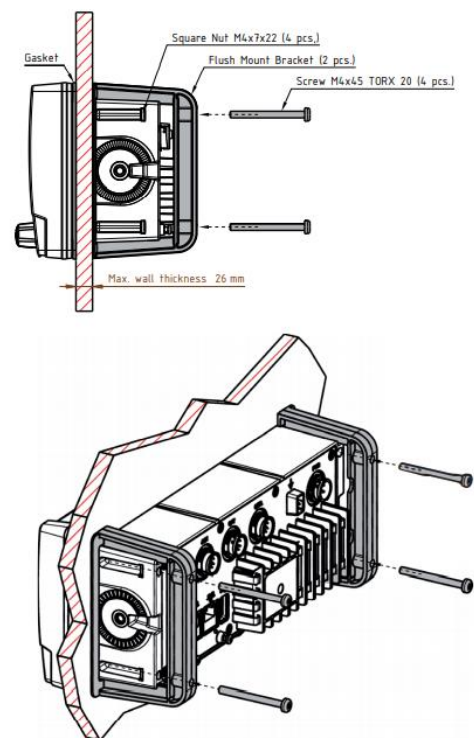
**Mounting brackets must be ordered separately:**

### Installing with U-mount bracket kit



Accessories: U-mount bracket kit, part no. 407224A-930

### Installing with Flush mount kit



Accessories: Flush mount bracket kit, part no. 407224A-950

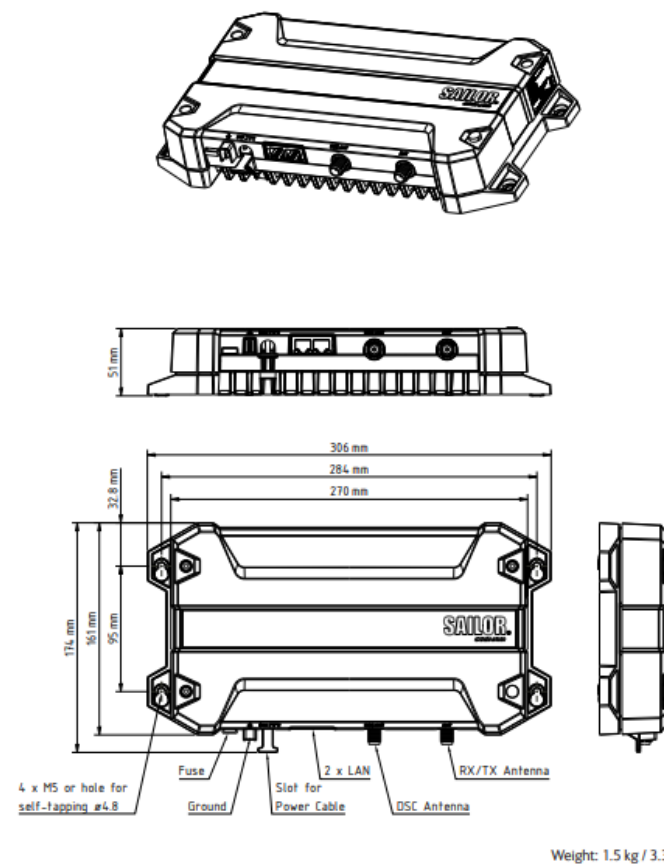


# NEW - SAILOR 7222 VHF DSC Class A

## Easy Installation

**COBHAM**

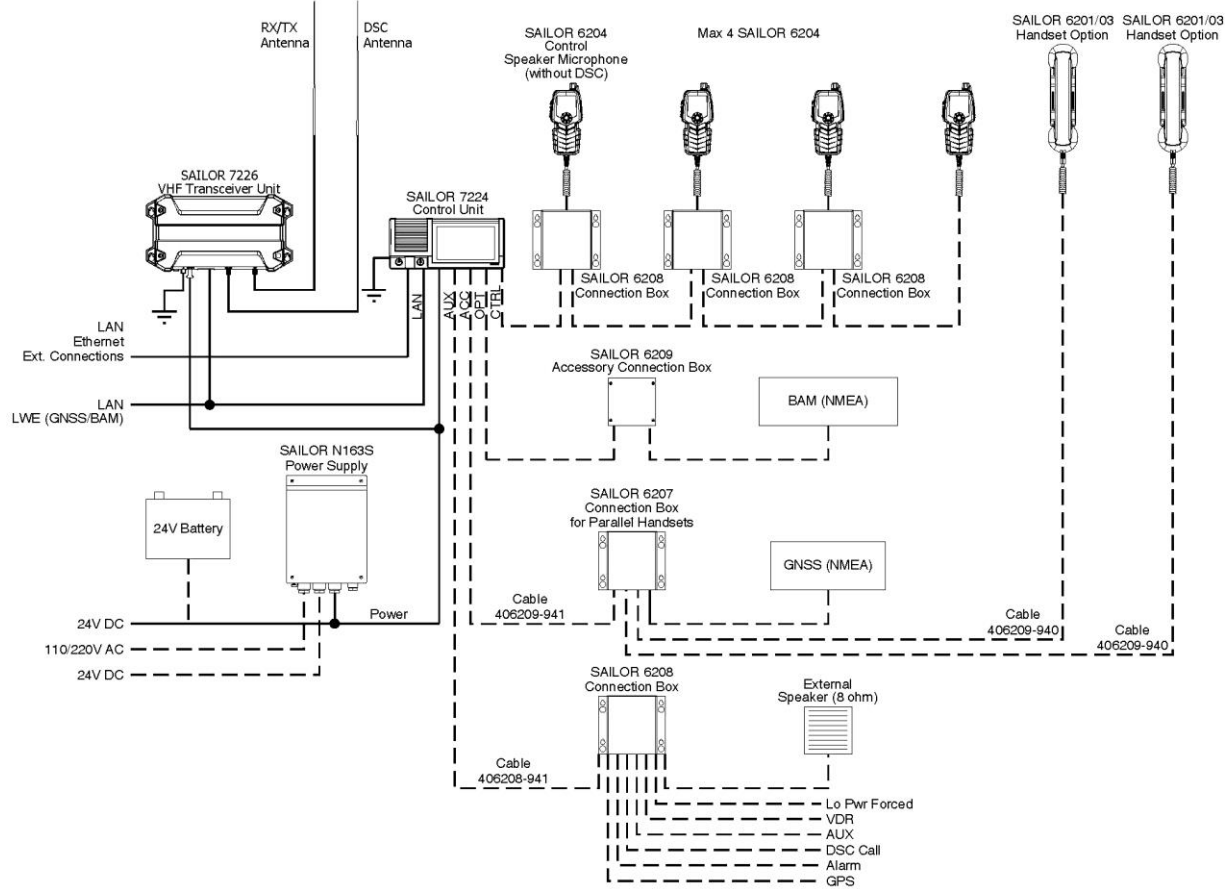
### SAILOR 7226 Transceiver Unit



# NEW - SAILOR 7222 VHF DSC Class A

## Easy Installation

### System configuration Example



For more details about the installation, download the installation manual on [www.cobhamsatcom.com](http://www.cobhamsatcom.com) or our partner portal Cobham SYNC





