

PRODUCT BASIC INFORMATION

VERATRON GO SERIES

Marine Sensors for Today and Tomorrow



THE VERATRON GO SERIES

All your vessel data close to your fingertips!

KEY FEATURES

- ▶ High-performance GNSS receiver
- ▶ 10 Hz update rate 72 channels
- ▶ Very high tracking sensitivity
- ▶ Bluetooth Low Energy gateway
- ▶ All your vessel data on your smart device
- ▶ Powered by NMEA 2000® network
- ▶ NMEA 2000® certified
- ▶ Global BLE certified

Veratron GO is a series of products featuring three versions: Veratron GO (GPS), Veratron GO Data (Bluetooth Low Energy) and Veratron GO Plus (GPS and Bluetooth).

Our GNSS receiver is the smallest available on the market. Thanks to its reduced installation footprint – the Veratron GO device can be mounted almost everywhere in your boat without being noticed.

TECHNICAL DATA

Nominal voltage	12 V (from NMEA)
Color and material	white, ASA plastic
Minimal cut-out size	Ø 16 mm
Protection class	IPX9/K according to IEC60529 »Exposed Device«
Flammability	Flame retardant according to UL94 V0
Mounting	High-resistive bi-adhesive tape or optional bracket
Connector	DeviceNet M12 5 pin

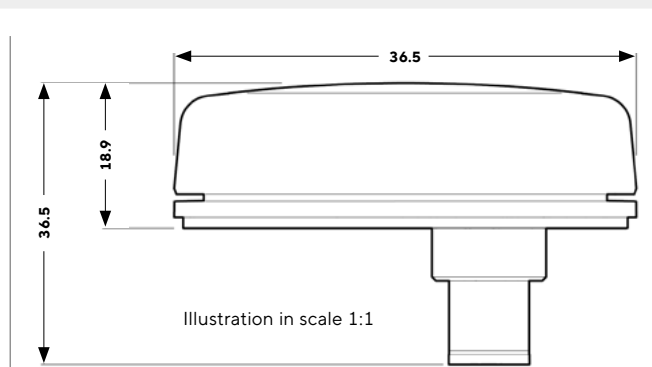
BLUETOOTH SUPPORTED DATA

Engine RPM	Fuel Level	TWD
Trim	Fresh Water	True Heading
Boost Pressure	Waste Water	Mag Heading
Coolant Temperature	Exhaust Temperature	Sea Water Temperature
Fuel Rate	Rudder Angle	Air Temperature
Fuel Press	COG	Barometer
Engine Oil Temperature	SOG	Water Speed
Engine Oil Pressure	GPS Position	Battery Voltage
Engine Hours	Depth	Battery Current
Engine Load	Yaw	Battery Temperature
Coolant Pressure	Pitch	Battery SOC
Engine Alarms	Roll	Battery SOH
Gear Oil Temperature	AWA	Autonomy
Gear Oil Pressure	AWS	Battery Ah
Gear Position	TWA	
Gear Alarms	TWS	



DESIGN AND DIMENSIONS

- ▶ Smallest NMEA 2000® GNSS antenna on the market
- ▶ Small installation footprint
- ▶ Minimal cut out size: only 16 mm hole required
- ▶ White ASA* plastic housing
 - Maximum UV resistance
 - Higher resistance to environmental stress
- ▶ Bottom filled with two-components resin
 - Air-sealed device for weather resistance
- ▶ DeviceNet M12 connector
 - Powered by NMEA 2000® network
 - No dedicated power supply required





These 3 NMEA certified devices share the same look but their functions are not to be confused



ART. NR. B00034901

GO GPS

Veratron GO is the smallest NMEA 2000® certified GNSS receiver on the market which supports GPS / GLONASS / GALILEO constellations. Compact and easy to install, it does not require any additional protection against harsh weather conditions.

ART. NR. B00041601

GO Data

Veratron GO Data is an NMEA 2000® to Bluetooth Low Energy (BLE) gateway. Together with the Veratron smartphone and tablet apps you can monitor your engine, read your sailing performance data, keep an eye on your batteries status and receive alarm notifications.

ART. NR. B00041701

GO Plus

Veratron GO Plus+ is a combined GPS receiver and NMEA 2000® to Bluetooth Low Energy (BLE) gateway and combines all the features of the Veratron GO and the Veratron GO Data devices in a single unit.

NMEA PGNS (GPS)

System Time	126992	GNSS Position Data	129029
Position, Rapid Update	129025	GNSS DOPs	129539
COG and SOG, Rapid Update	129026	GNSS Satellites in View	129540

ACCESSORIES

Mounting Kit with Bracket + Screws [B00062402](#)



NavDash App

The easiest way to display your vessel data on your mobile device.

The most complete app for vessel monitoring, it allows to easily setup your system and instantly have a direct view on your engine, read your sailing performance data, keep an eye on your batteries status and receive alarm notifications.



» **DOWNLOAD THE APP**

OUTDOOR INSTRUMENTATION ENGINEERED IN SWITZERLAND



Veratron AG / Industriestrasse 18 / 9464 Rüthi / Switzerland
T +41 71 7679 111 / info@veratron.com / veratron.com

The information provided in this brochure contains only general descriptions or performance characteristics, which do not always apply as described in case of actual use or which may change as a result of further development of the products. This information is merely a technical description of the product. It is not meant or intended to be a special guarantee for a particular quality or particular durability. An obligation to provide the respective characteristics shall only exist if expressly agreed in the terms of contract. We reserve the right to make changes in availability as well as technical changes without prior notice.

Veratron AG / English © 2021